



Chipsmall Limited consists of a professional team with an average of over 10 year of expertise in the distribution of electronic components. Based in Hongkong, we have already established firm and mutual-benefit business relationships with customers from,Europe,America and south Asia,supplying obsolete and hard-to-find components to meet their specific needs.

With the principle of “Quality Parts,Customers Priority,Honest Operation,and Considerate Service”,our business mainly focus on the distribution of electronic components. Line cards we deal with include Microchip,ALPS,ROHM,Xilinx,Pulse,ON,Everlight and Freescale. Main products comprise IC,Modules,Potentiometer,IC Socket,Relay,Connector.Our parts cover such applications as commercial,industrial, and automotives areas.

We are looking forward to setting up business relationship with you and hope to provide you with the best service and solution. Let us make a better world for our industry!



## Contact us

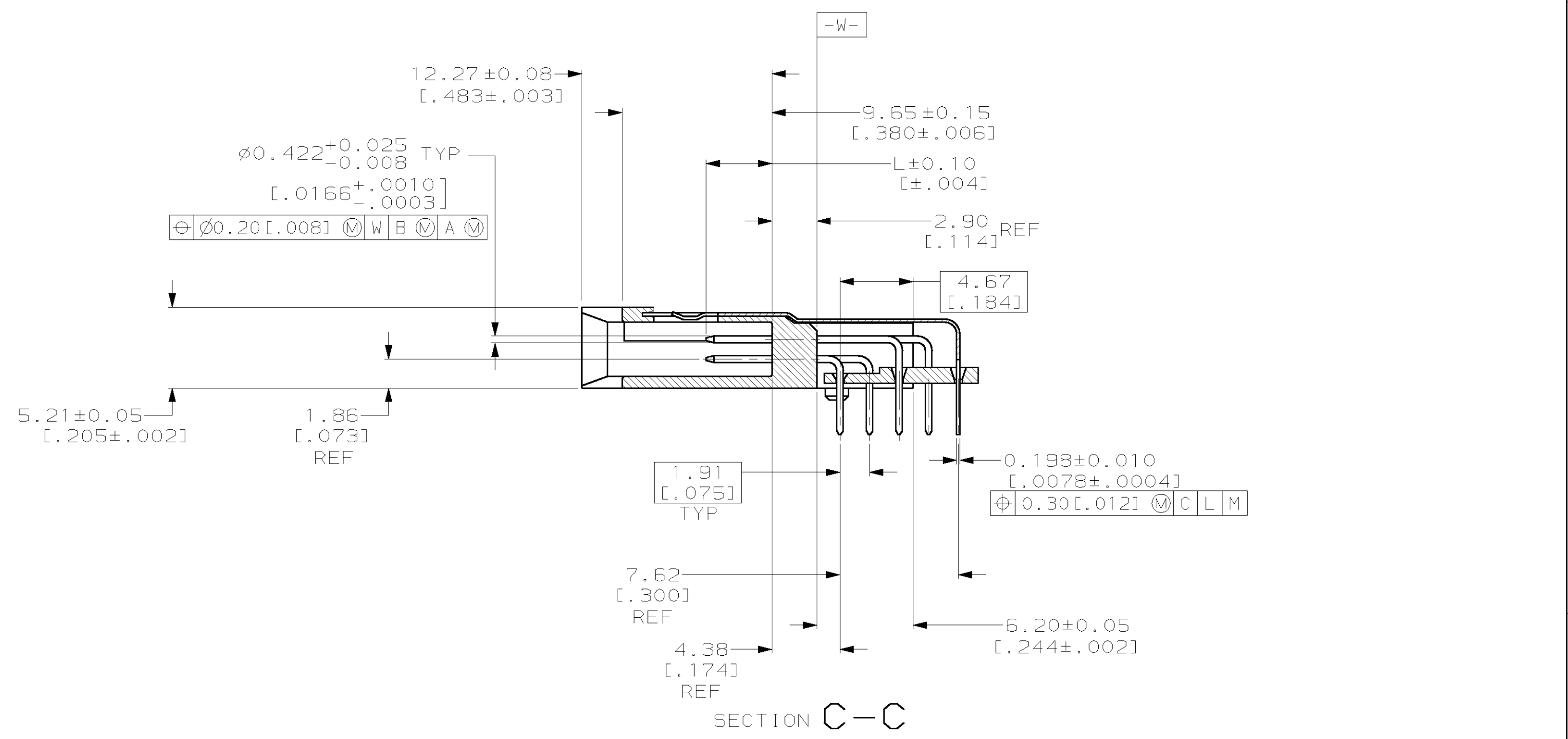
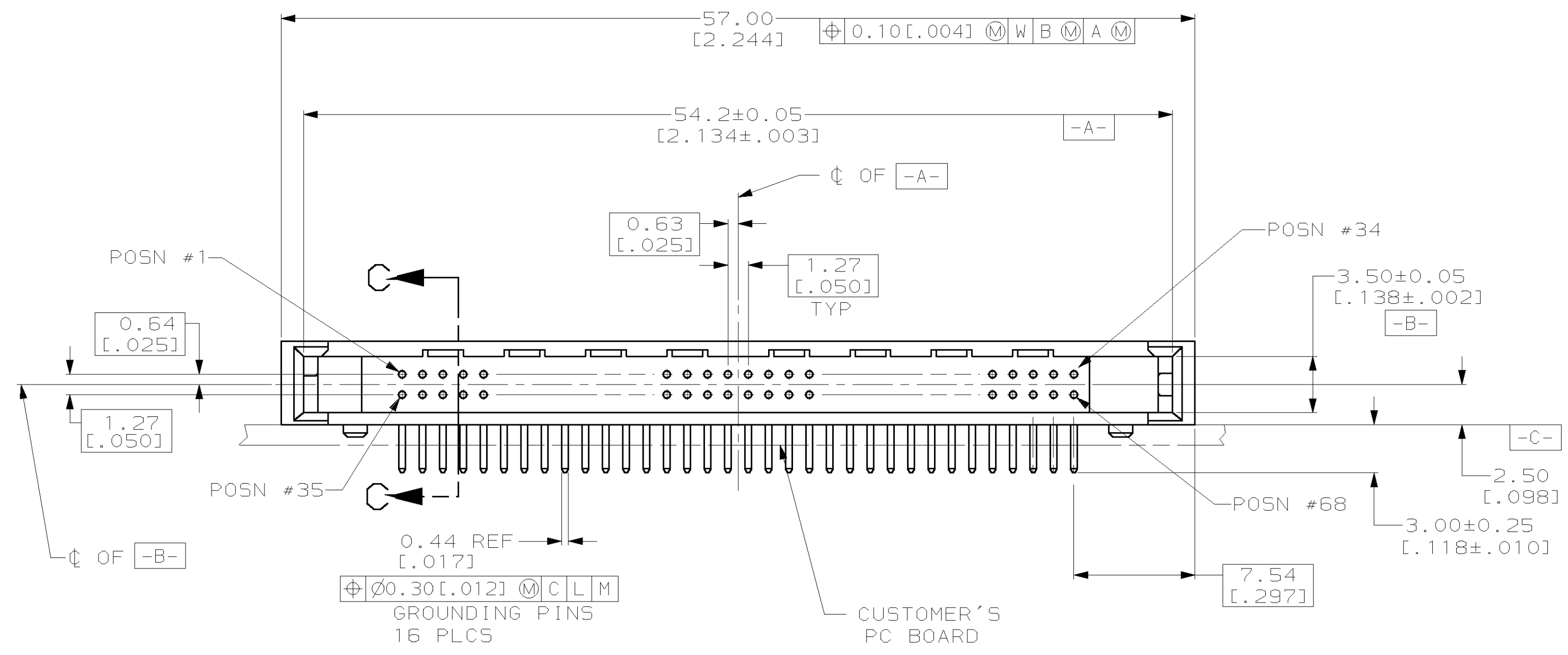
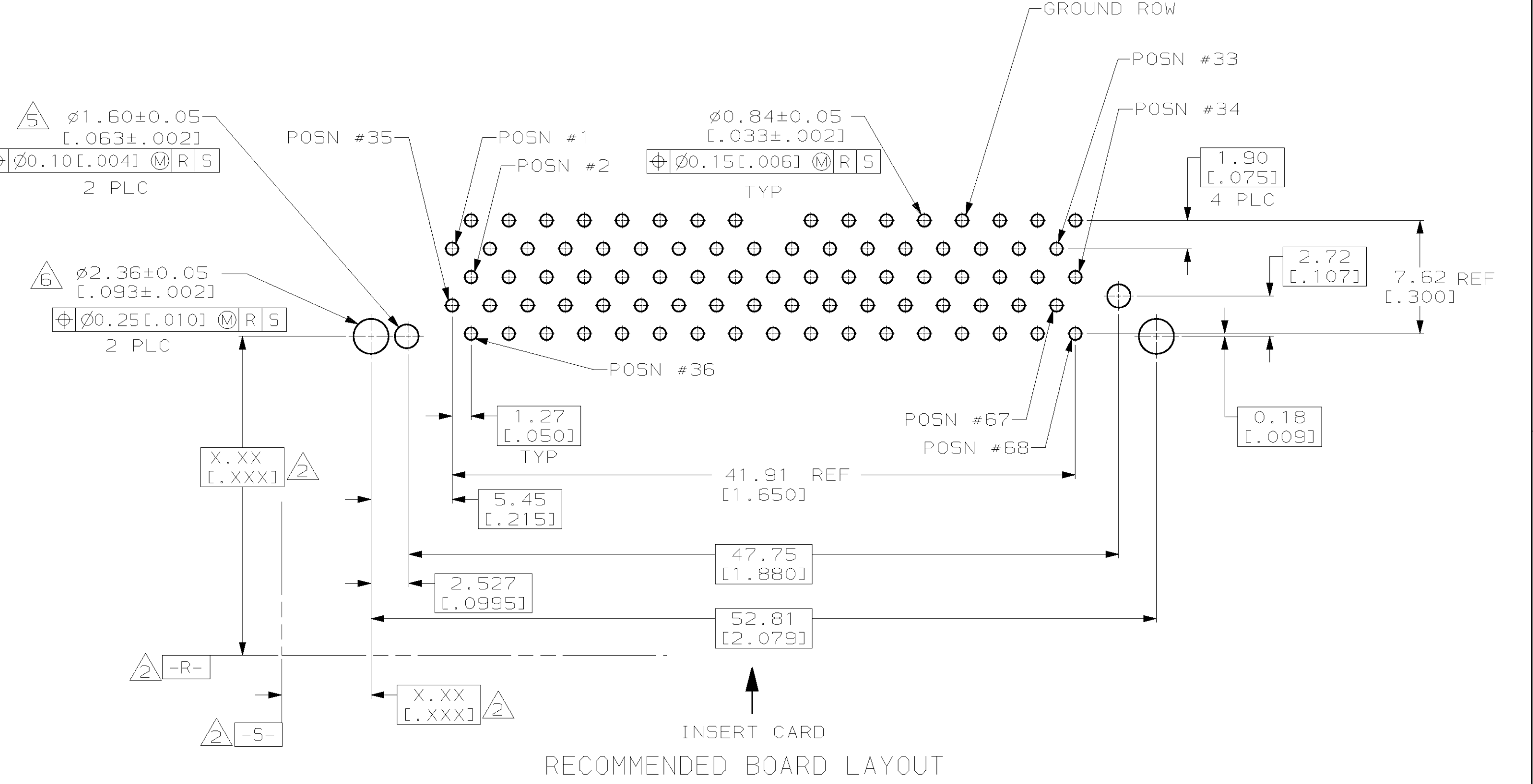
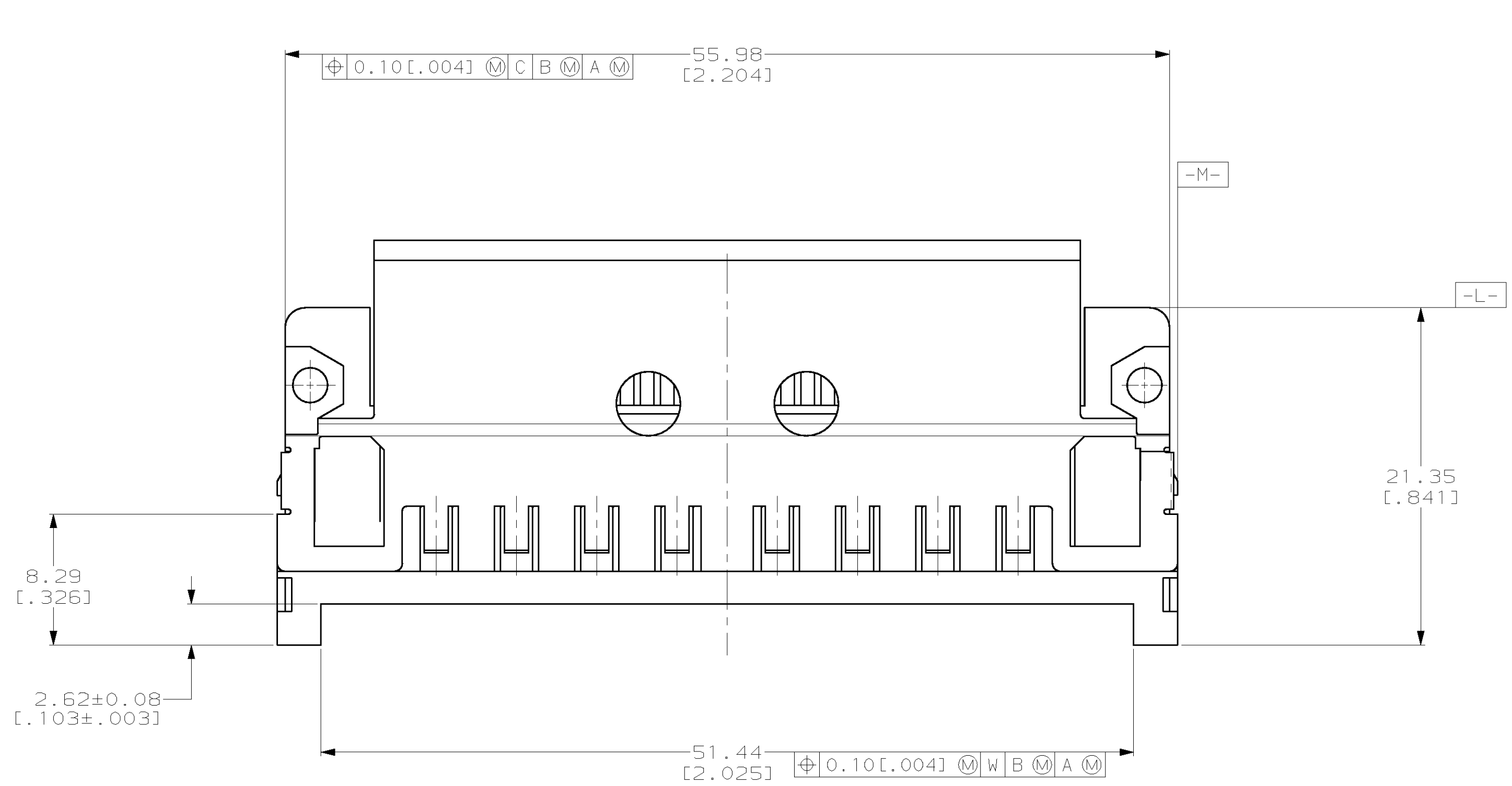
Tel: +86-755-8981 8866 Fax: +86-755-8427 6832

Email & Skype: info@chipsmall.com Web: www.chipsmall.com

Address: A1208, Overseas Decoration Building, #122 Zhenhua RD., Futian, Shenzhen, China



REV. NO.		DATE	BY	CHKD	APP'D
0	RELEASED, WA5 96-1129-26	2/20/97	JR	VR	
B	REV PER EC 0651-0258-98	12/09/98	MM	MP	



- ⚠ 0.00076 [0.00030] MINIMUM GOLD IN CONTACT AREA, 0.00381 [0.00150] MIN TIN-LEAD ON SOLDER TAILS, ALL OVER 0.00127 [0.00050] MINIMUM NICKEL
- ⚠ DATUMS AND BASIC DIMENSIONS ESTABLISHED BY CUSTOMER
- 3 CONNECTOR REQUIRES USE OF 2 - SIZE 2M SCREWS FOR FASTENING TO PRINTED CIRCUIT BOARD
- ⚠ ASSEMBLY KEYED FOR LOW VOLT CARDS (3.3V)
- ⚠ USE 1.6MM DRILL.
- ⚠ USE 2.35MM DRILL.

VOLTAGE KEYING & IDENTIFICATION	1, 17, 34 35, 51, 68	ALL OTHER PINS	36, 67	146767-1
	5.0 [0.197]	4.25 [0.167]	3.5 [0.138]	PART NUMBER
"L" (PIN LENGTH) AND LOCATION				
DIMENSIONS (mm [INCHES])		TOLERANCES UNLESS OTHERWISE SPECIFIED		AMP Incorporated Harrisburg, PA 17105-3608
DIMENSIONS (mm [INCHES]) DIMENSIONS (mm [INCHES]) DIMENSIONS (mm [INCHES])		DIMENSIONS (mm [INCHES]) DIMENSIONS (mm [INCHES]) DIMENSIONS (mm [INCHES])		AMP Incorporated Harrisburg, PA 17105-3608 PIN HEADER, LOW PROFILE, 68 POSN, TOP BOARD, THRU-HOLE PC CARDBUS
MATERIAL		FINISH		SCALE 4:1 SHEET 1 OF 1 REV B
HOUSING: LCP		CONTACT: BRASS		
SHIELD: PHOSPHOR BRONZE		FINISH		