



Chipsmall Limited consists of a professional team with an average of over 10 year of expertise in the distribution of electronic components. Based in Hongkong, we have already established firm and mutual-benefit business relationships with customers from,Europe,America and south Asia,supplying obsolete and hard-to-find components to meet their specific needs.

With the principle of “Quality Parts,Customers Priority,Honest Operation,and Considerate Service”,our business mainly focus on the distribution of electronic components. Line cards we deal with include Microchip,ALPS,ROHM,Xilinx,Pulse,ON,Everlight and Freescale. Main products comprise IC,Modules,Potentiometer,IC Socket,Relay,Connector.Our parts cover such applications as commercial,industrial, and automotives areas.

We are looking forward to setting up business relationship with you and hope to provide you with the best service and solution. Let us make a better world for our industry!



Contact us

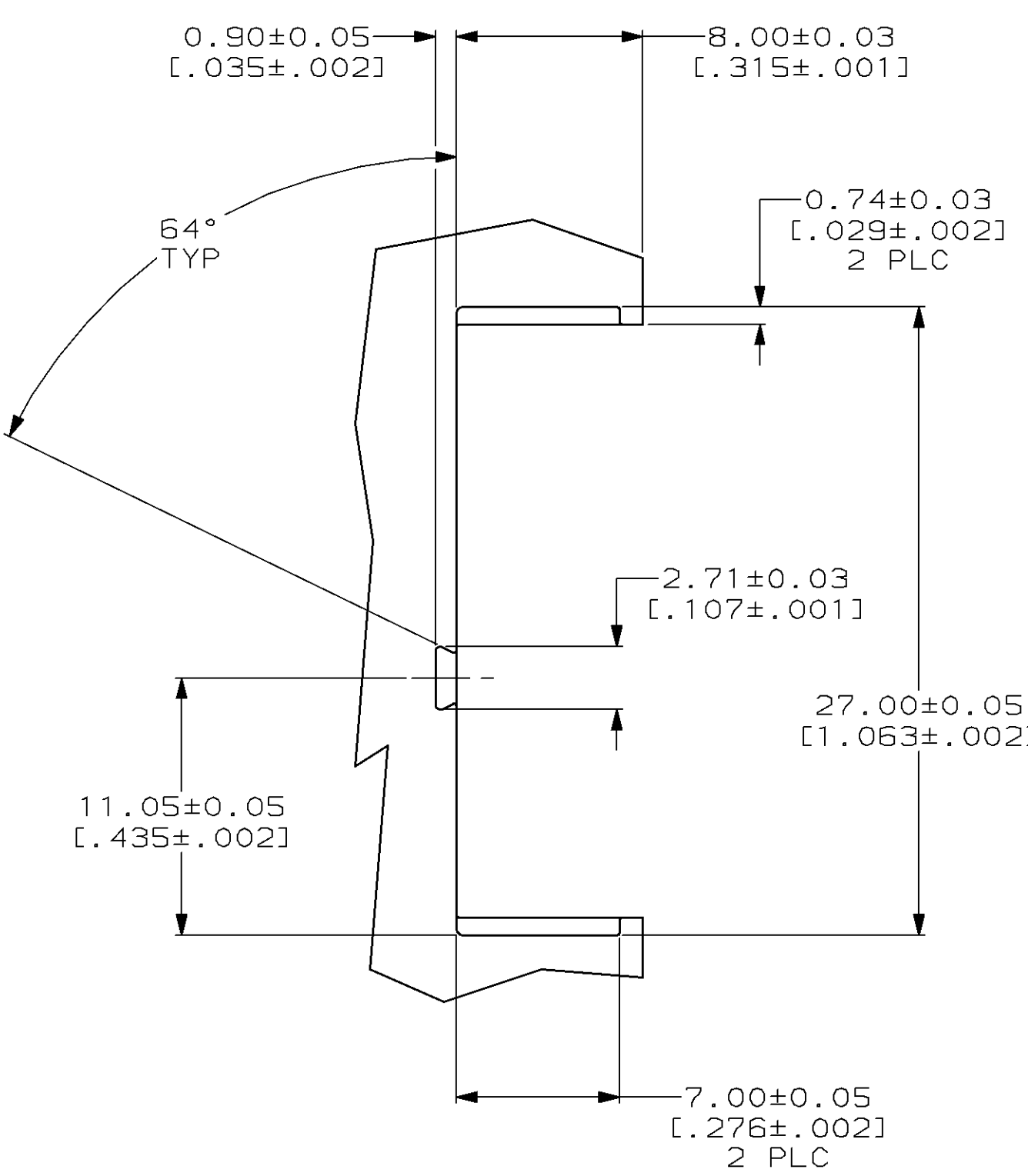
Tel: +86-755-8981 8866 Fax: +86-755-8427 6832

Email & Skype: info@chipsmall.com Web: www.chipsmall.com

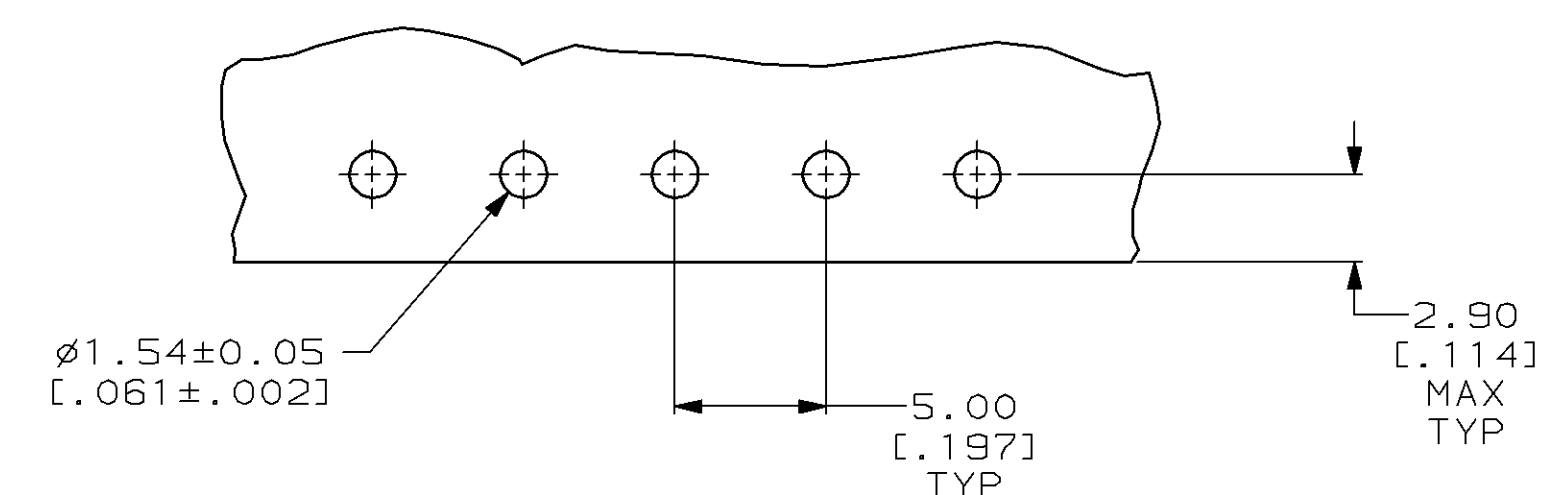
Address: A1208, Overseas Decoration Building, #122 Zhenhua RD., Futian, Shenzhen, China



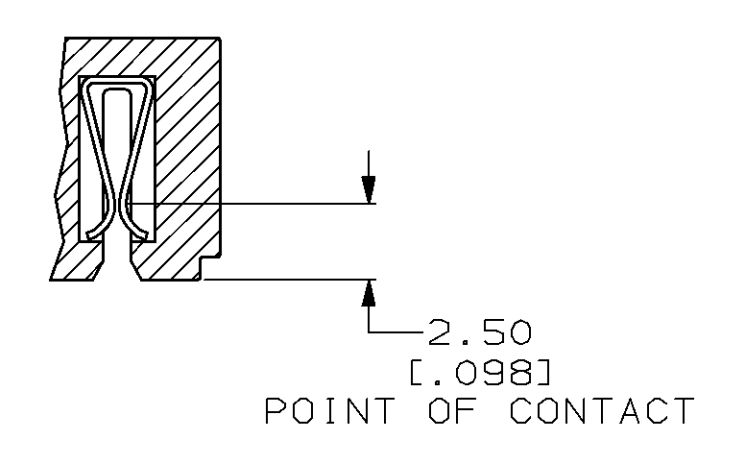
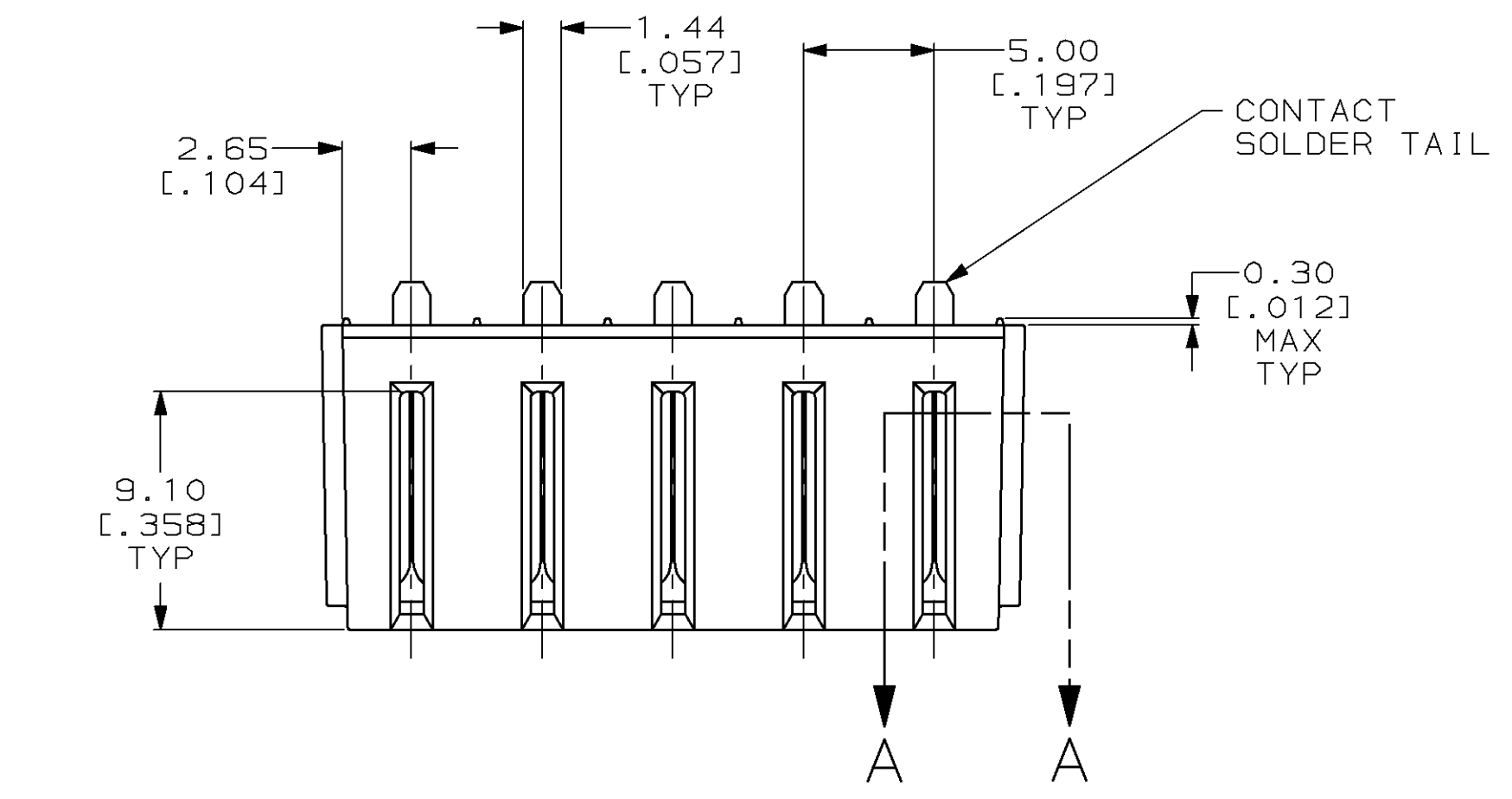
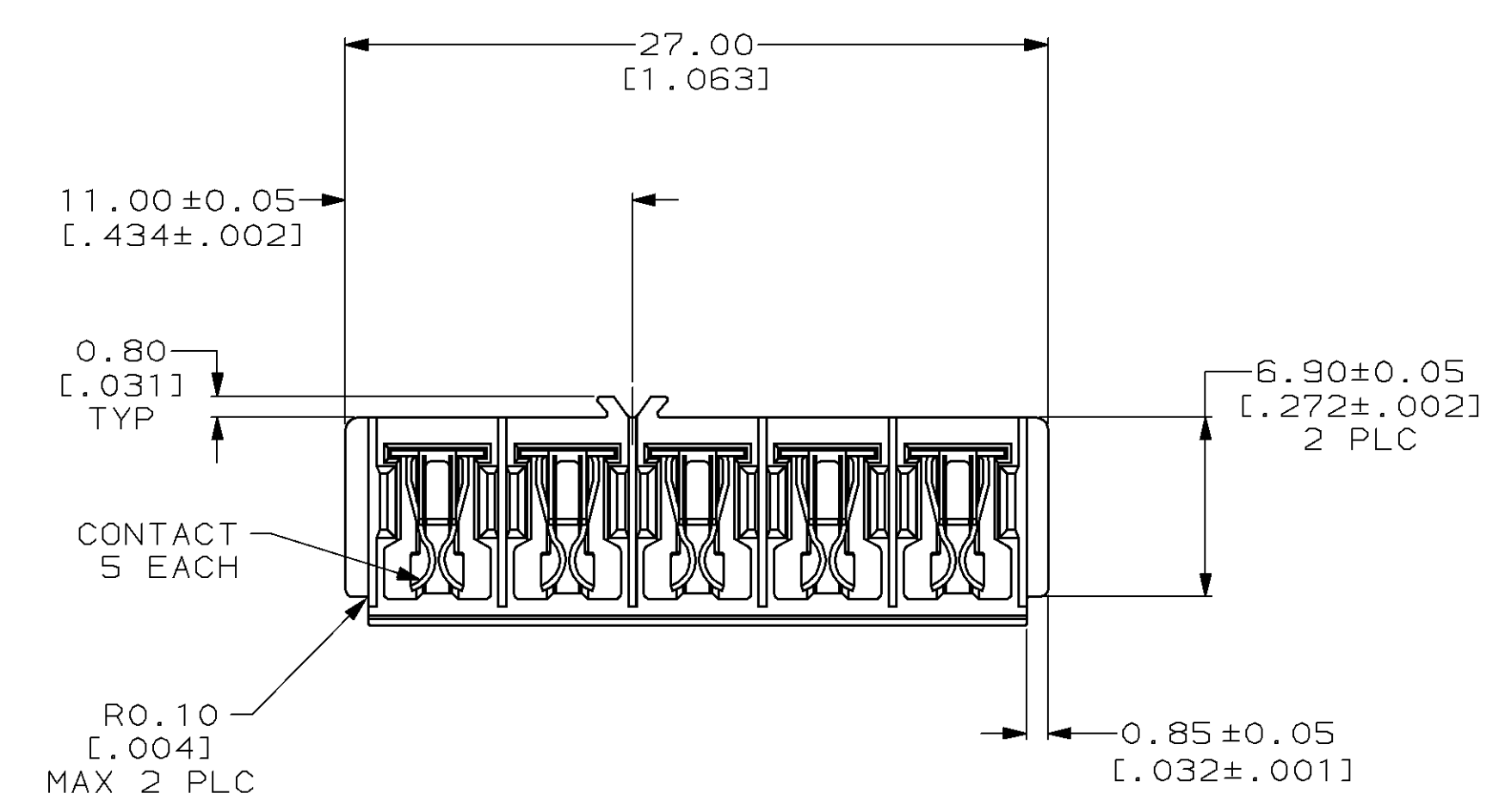
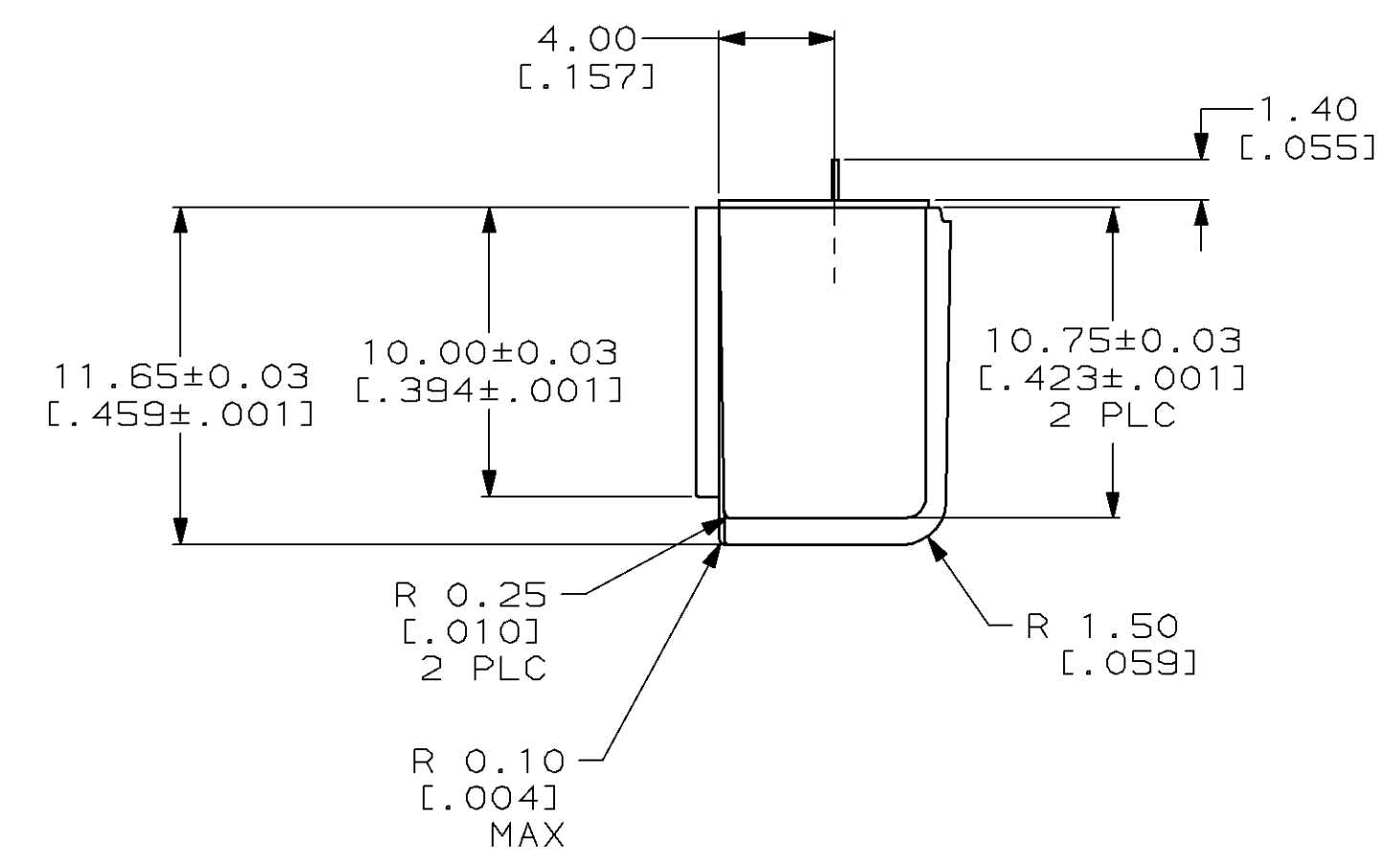
LOC		DIST		REVISIONS			
P	LTR	DESCRIPTION	DATE	OWN	APVD		
0		RELEASED	21 OCT 96	-	-		
A		REV PER 0410-0119-97	5/29/97	JR	CB		



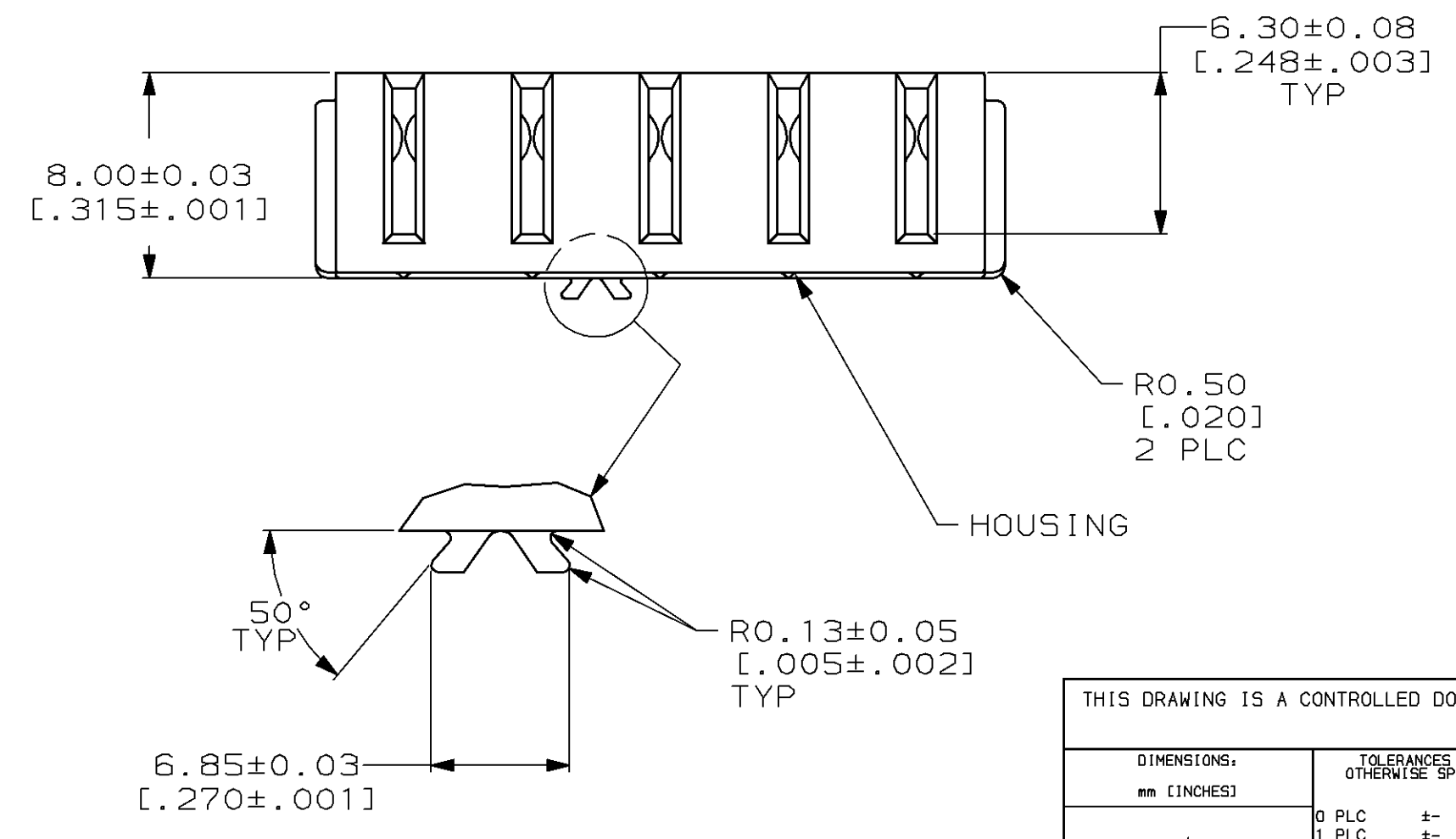
SUGGESTED CAVITY



RECOMMENDED PC BOARD LAYOUT



SECTION A-A



- ① HOUSING: POLYPHTHALAMIDE, BLACK.
CONTACTS: PHOSPHOR BRONZE.
- ② CONTACT: 1.30µm[.000051] MIN TIN-LEAD ON SOLDER TAIL
OVER 1.90µm[.000075] MIN NICKEL ON ENTIRE CONTACT.

146800-1
PART NUMBER

THIS DRAWING IS A CONTROLLED DOCUMENT.		DWG C. REIFSNYDER 21 OCT 96		AMP Incorporated	
DIMENSIONS: mm (INCHES)		CHK C. BAKER 04 NOV 96		Harrisburg, PA 17105-3508	
TOLERANCES UNLESS OTHERWISE SPECIFIED:		APP'D C. BAKER 05 NOV 96		NAME INSERT ASSEMBLY, 5 POSITION, KEYLESS, DOVETAIL LOCATOR, 5mm ⌀	
0 PLC ±.05	1 PLC ±.02	PRODUCT SPEC 108-1501		APPLICATION SPEC	
2 PLC ±.01	3 PLC ±.005	SIZE A1		CAGE CODE 00779	
4 PLC ±.002	ANGLES ±2°	DRAWING NO C-146800		SCALE 4:1	
MATERIAL	FINISH	WEIGHT		SHEET 1 OF 1	
		CUSTOMER DRAWING		REV A	