



Chipsmall Limited consists of a professional team with an average of over 10 year of expertise in the distribution of electronic components. Based in Hongkong, we have already established firm and mutual-benefit business relationships with customers from,Europe,America and south Asia,supplying obsolete and hard-to-find components to meet their specific needs.

With the principle of "Quality Parts,Customers Priority,Honest Operation,and Considerate Service",our business mainly focus on the distribution of electronic components. Line cards we deal with include Microchip,ALPS,ROHM,Xilinx,Pulse,ON,Everlight and Freescale. Main products comprise IC,Modules,Potentiometer,IC Socket,Relay,Connector.Our parts cover such applications as commercial,industrial, and automotives areas.

We are looking forward to setting up business relationship with you and hope to provide you with the best service and solution. Let us make a better world for our industry!



Contact us

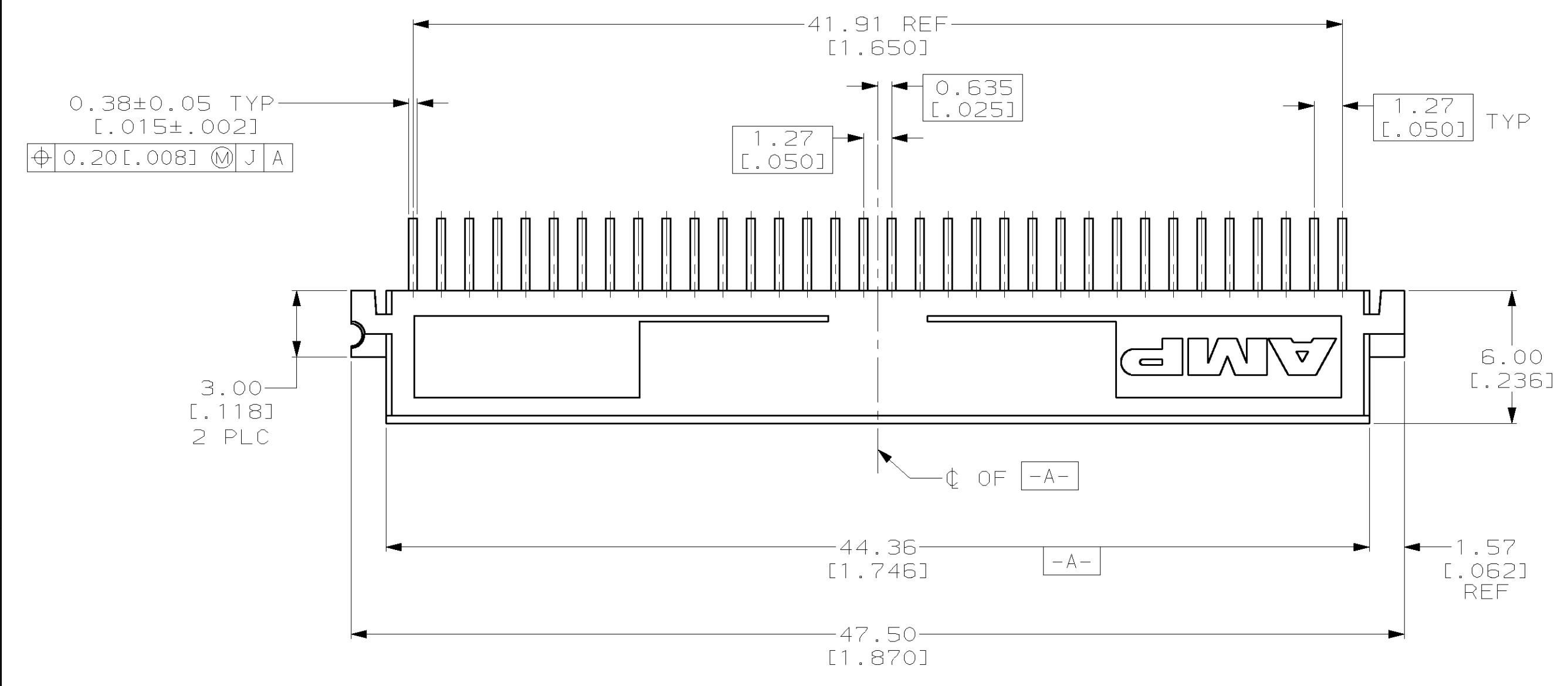
Tel: +86-755-8981 8866 Fax: +86-755-8427 6832

Email & Skype: info@chipsmall.com Web: www.chipsmall.com

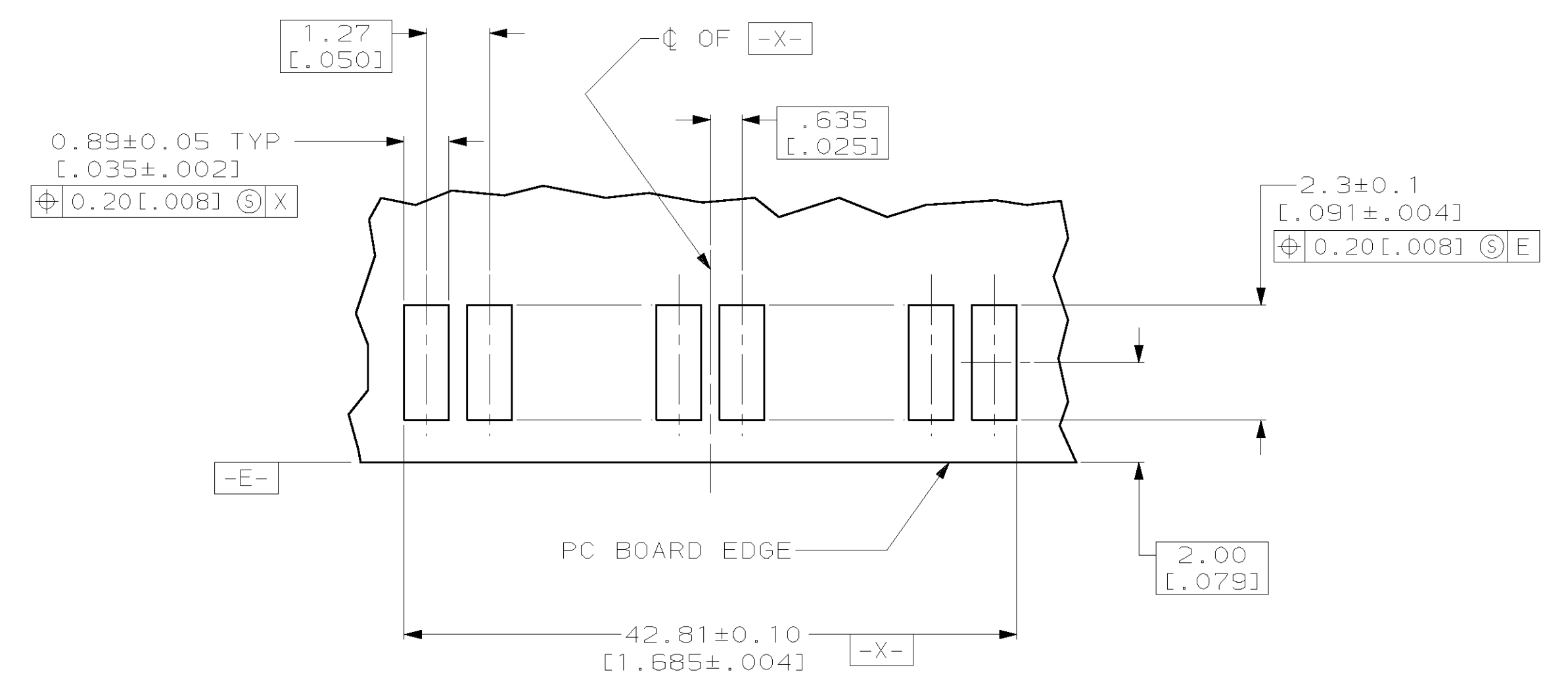
Address: A1208, Overseas Decoration Building, #122 Zhenhua RD., Futian, Shenzhen, China



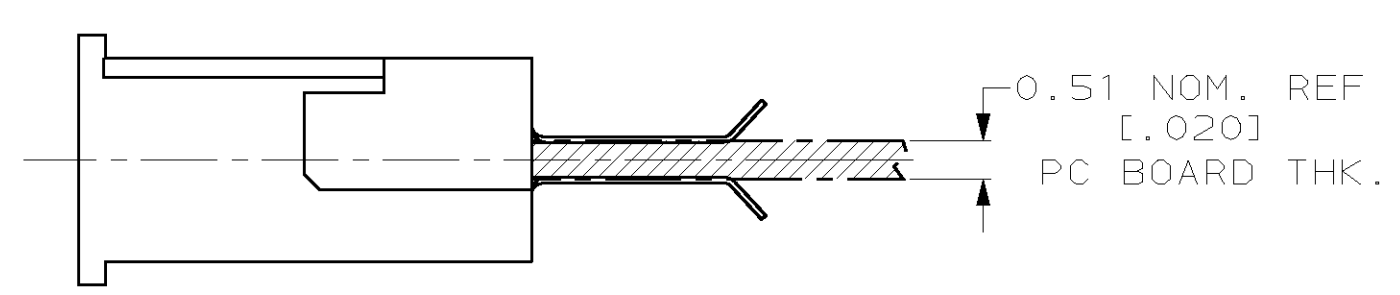
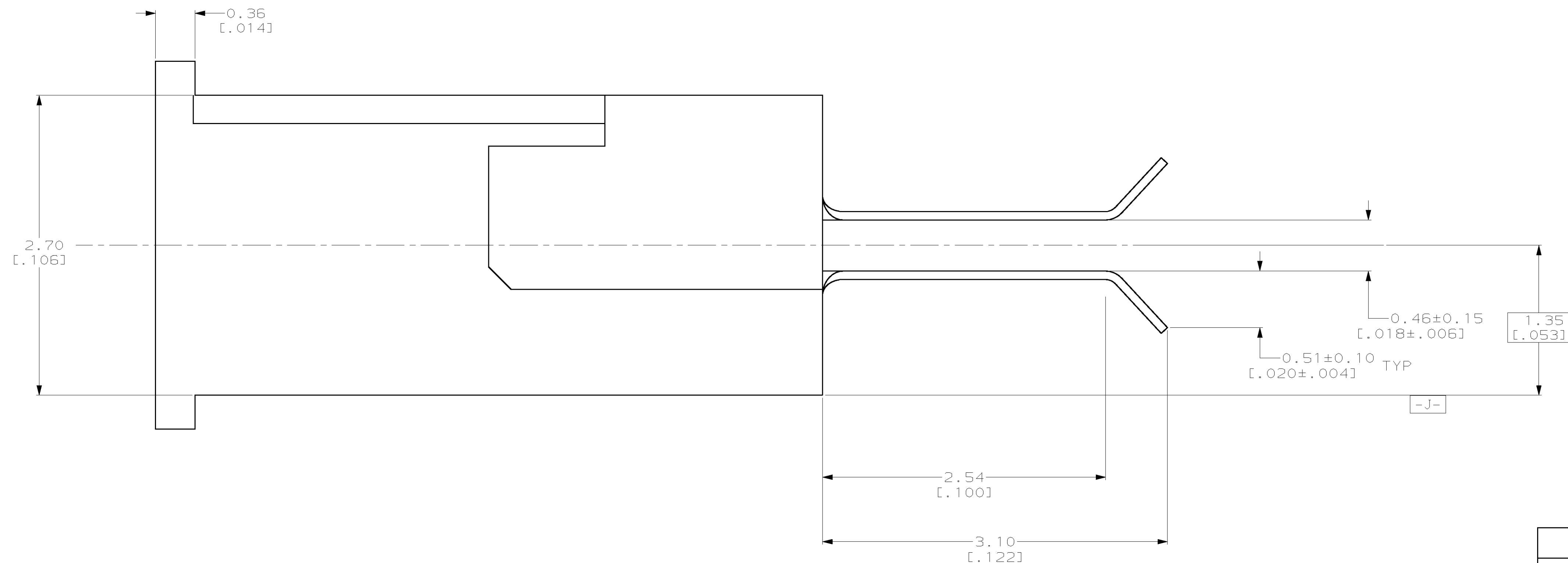
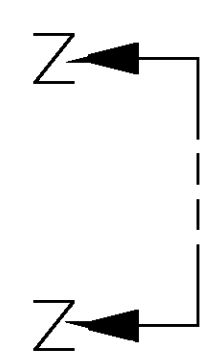
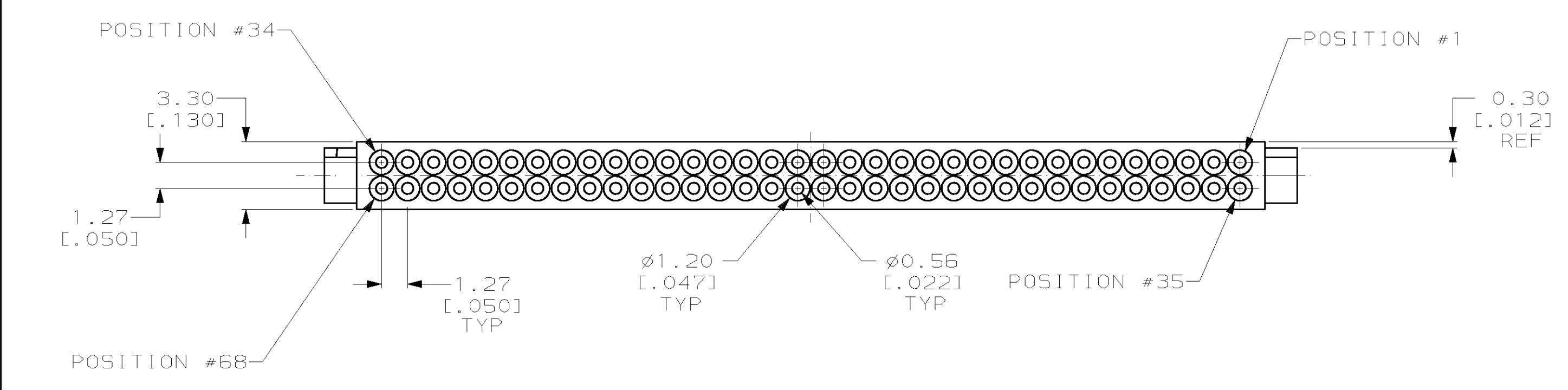
LOC	DIST	REV	DATE	BY	CHKD	APPROV
AD	39	0	12/04/96	JR	DD	
		A	19 JUN 97	CR	MP	
		B	3 MAR 98	RB	MP	
		C	15 FEB 99	RB	MP	



- 1 HOUSING: LCP, GLASS FILLED, COLOR: BLACK.
- 2 CONTACT: BERYLLIUM COPPER.
- 3 0.00076 [0.000030] MINIMUM GOLD ON MATING AREA, 0.00254 [0.000100] MINIMUM TIN-LEAD ON SOLDER TAIL, ALL OVER 0.00127 [0.000050] MINIMUM NICKEL.
- 4. POINT OF CONTACT 2.3 [0.091] REF FROM MATING FACE.



RECOMMENDED PC BOARD LAYOUT
SCALE 10:1



PC BOARD LOCATION (REF)
SCALE: 10:1

VIEW Z-Z
SCALE 40:1

3	68	146832-1
PLATING	POSITIONS	PART NUMBER

THIS DRAWING IS UNPUBLISHED. IT IS SUBJECT TO CHANGE AND THE CONTROLLING ENGINEERING DEPARTMENT SHALL BE CONTACTED FOR THE LATEST REVISION.		J. REED 12/04/96 D. DIXON 12/04/96 D. DIXON 12/04/96
DIMENSIONS: mm 0. PLC ±.015 1. PLC ±.015 2. PLC ±.015 3. PLC ±.015 4. PLC ±.015 ANGLES: 45°/30°	TOLERANCES UNLESS OTHERWISE SPECIFIED: 0. PLC ±.015 1. PLC ±.015 2. PLC ±.015 3. PLC ±.015 4. PLC ±.015 ANGLES: 45°/30°	AMP Incorporated Harrisburg, PA 17105-3608 RCPT ASSEMBLY, 68 POSITION, CENTERED STRADDLE MOUNT, AMP PC CARD SIZE: A1 CAGE CODE: 00779 DRAWING NO: C=146832 SCALE: 5:1 SHEET: 1 OF 1 REV: C