



Chipsmall Limited consists of a professional team with an average of over 10 year of expertise in the distribution of electronic components. Based in Hongkong, we have already established firm and mutual-benefit business relationships with customers from,Europe,America and south Asia,supplying obsolete and hard-to-find components to meet their specific needs.

With the principle of "Quality Parts,Customers Priority,Honest Operation,and Considerate Service",our business mainly focus on the distribution of electronic components. Line cards we deal with include Microchip,ALPS,ROHM,Xilinx,Pulse,ON,Everlight and Freescale. Main products comprise IC,Modules,Potentiometer,IC Socket,Relay,Connector.Our parts cover such applications as commercial,industrial, and automotives areas.

We are looking forward to setting up business relationship with you and hope to provide you with the best service and solution. Let us make a better world for our industry!



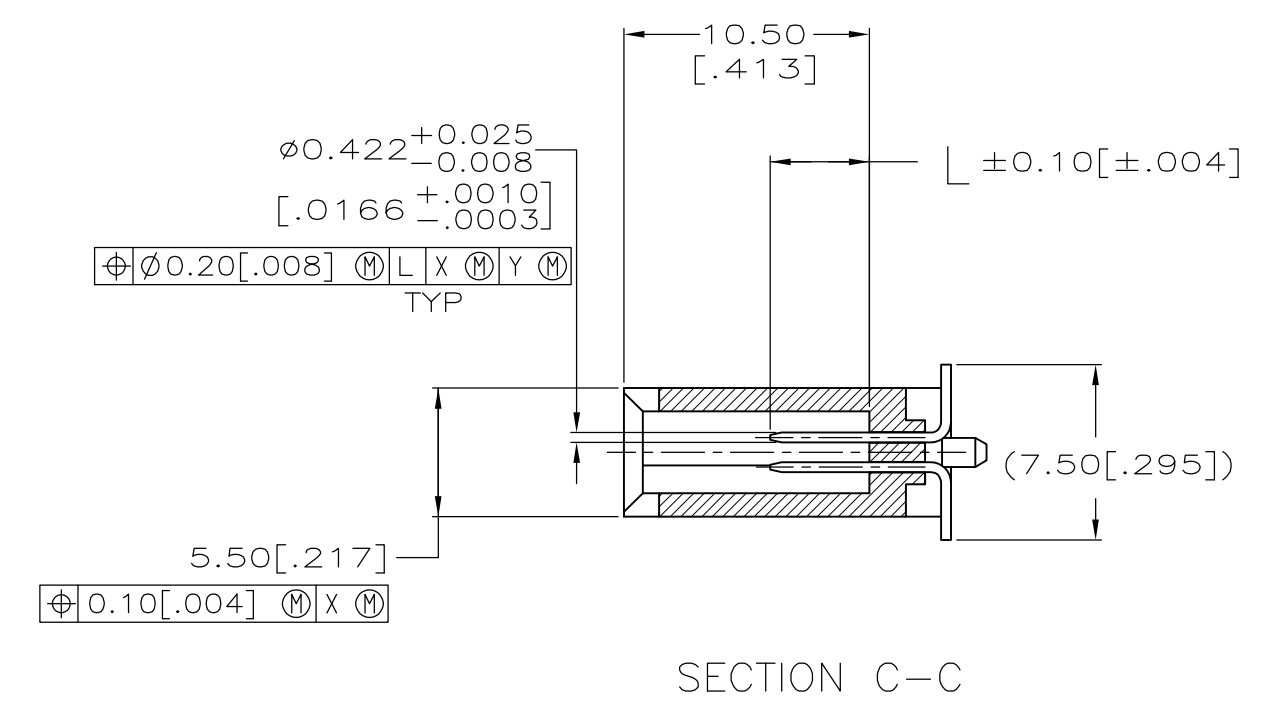
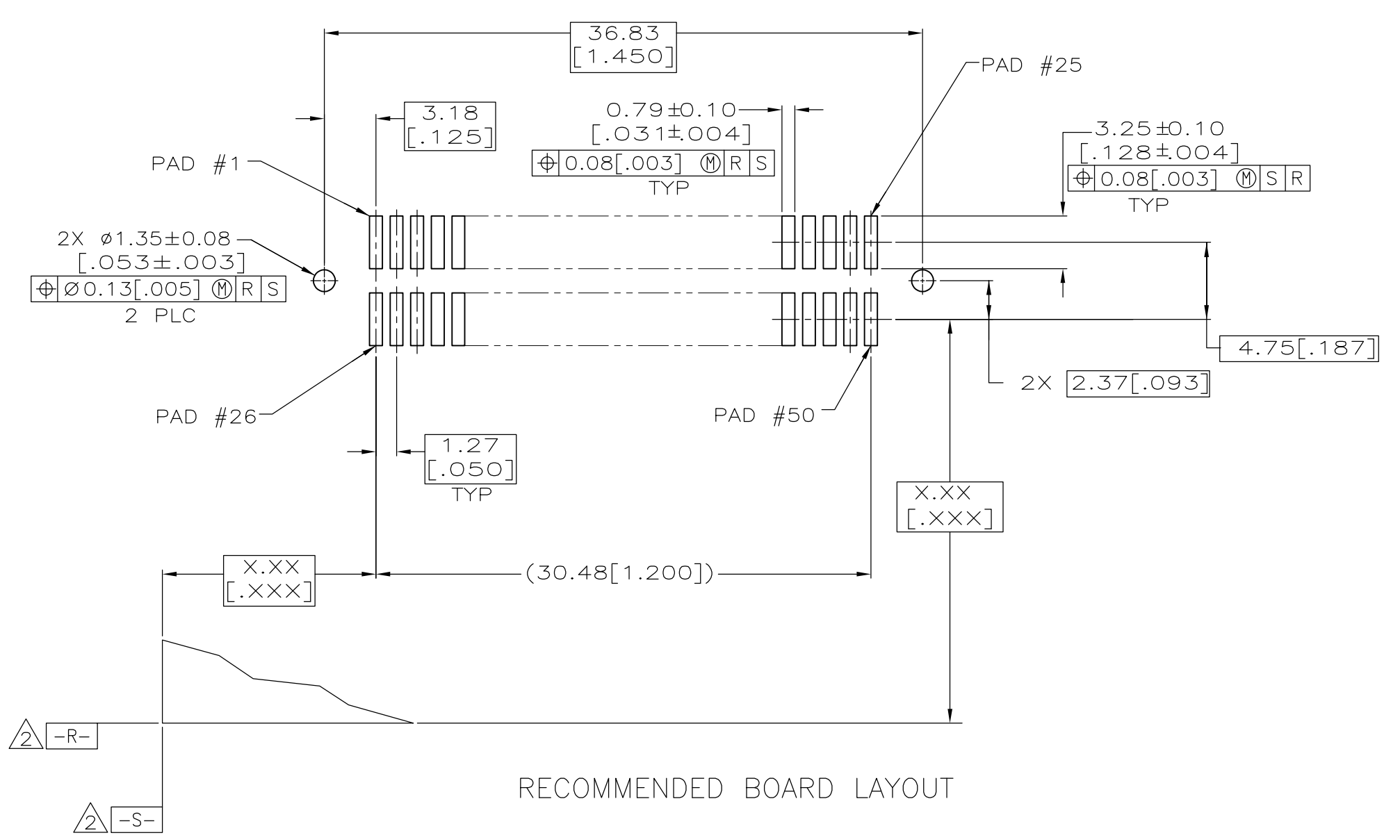
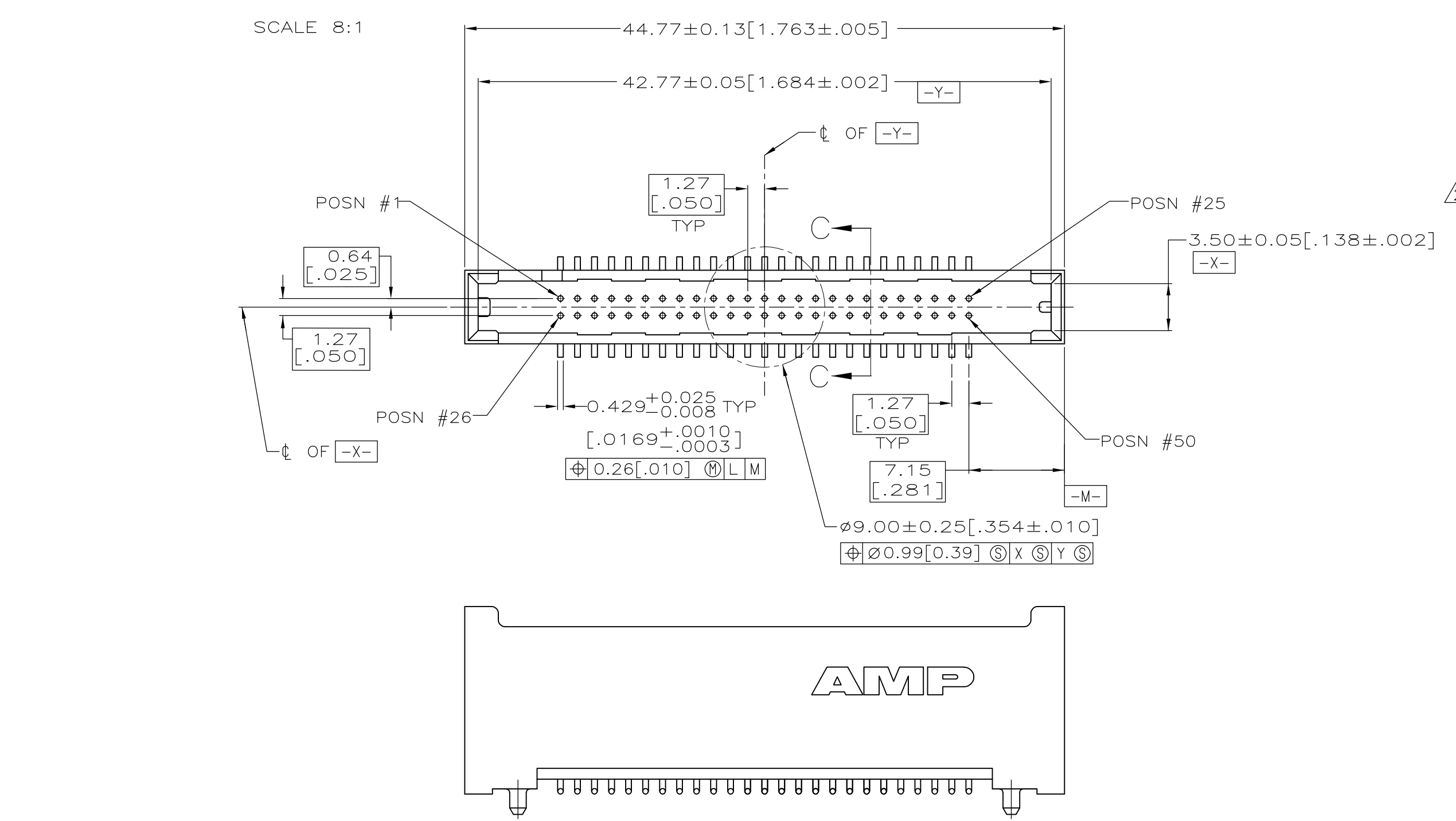
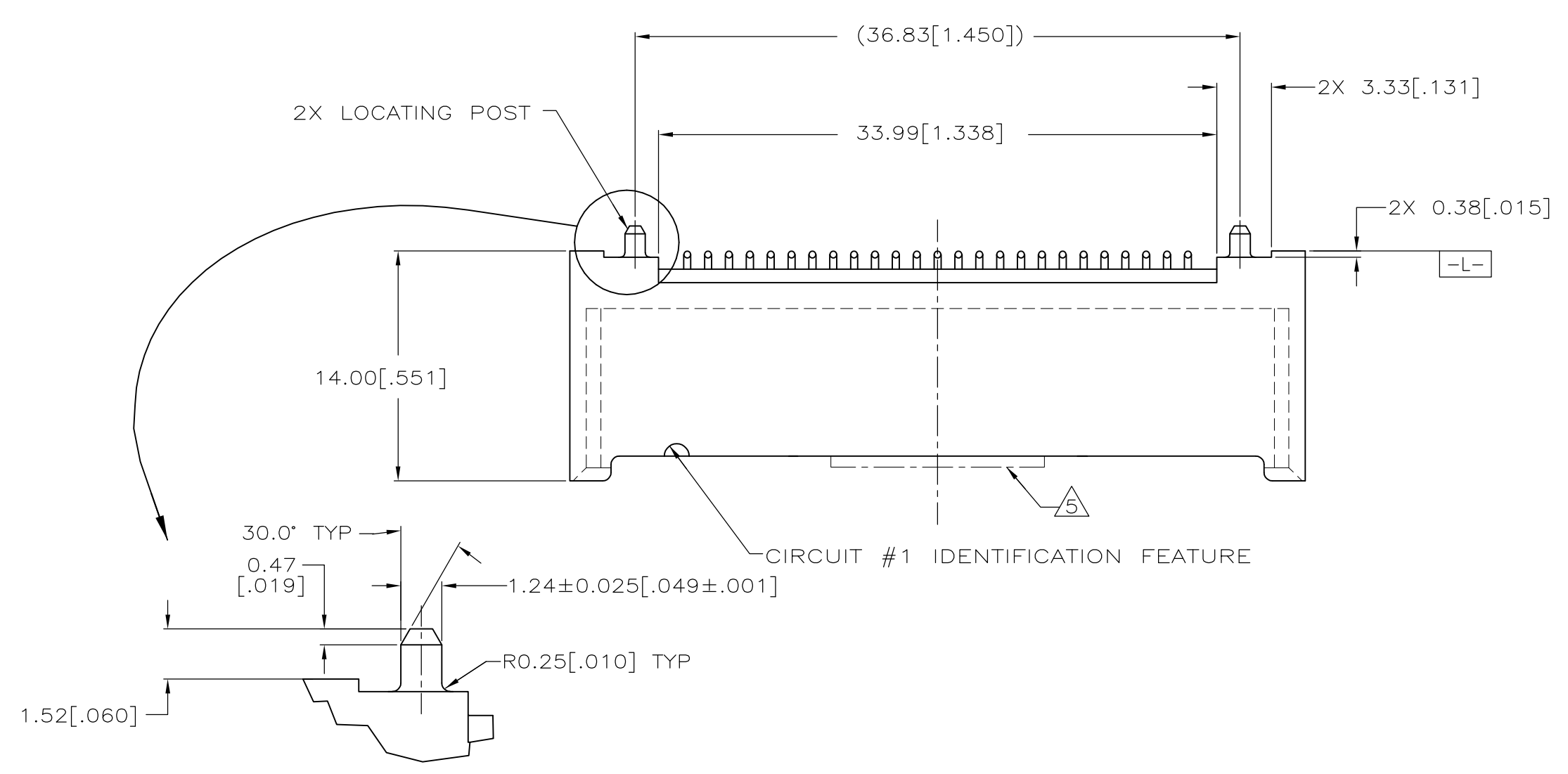
Contact us

Tel: +86-755-8981 8866 Fax: +86-755-8427 6832

Email & Skype: info@chipsmall.com Web: www.chipsmall.com

Address: A1208, Overseas Decoration Building, #122 Zhenhua RD., Futian, Shenzhen, China





- 1 0.00076[.000030] MIN GOLD IN CONTACT AREA, 0.00381[.000150] MIN TIN-LEAD ON SOLDER TAILS ALL OVER 0.00127[.000050] MIN NICKEL
- 2 DATUMS AND BASIC DIMENSIONS ESTABLISHED BY CUSTOMER.
- 3 PARTS TO BE PACKAGED IN TUBES.
- 4 PARTS TO BE PACKAGED IN TAPE AND REEL.
- 5 KAPTON VACUUM PICK-UP BUTTON FOR -2 & -4 ONLY (SHOWN IN PHANTOM TO SHOW CONNECTOR DETAIL).
- 6 0.00076[.000030] MIN GOLD IN CONTACT AREA, 0.00381[.000150] MIN TIN ON SOLDER TAILS ALL OVER 0.00127[.000050] MIN NICKEL

6	4	AS SHOWN	1,13,38, 50	ALL OTHER PINS	25,26	146839-4
6	3					146839-3
1	4					146839-2
1	3					146839-1
CONTACT FINISH	PACKAGING	DESCRIPTION	.197	.167	.138	ASSEMBLY PART NUMBER
		"L" PIN LGTH & CAVITY LOCATION				

THIS DRAWING IS A CONTROLLED DOCUMENT.		DWN: J.ROOT	27JUN96	Tyco Electronics Corporation	
		CHK: V.RUMINSKI	07MAR07	Harrisburg, PA 17105-3608	
DIMENSIONS: min [INCHES]		TOLERANCES UNLESS OTHERWISE SPECIFIED:		NAME	
		0 PLC ± -	1 PLC ± -	PRODUCT SPEC	
		2 PLC ± 0.13[.005]	3 PLC ± -	APPLICATION SPEC	
		4 PLC ± -	ANGLES ± 2°	SIZE CAGE CODE DRAWING NO	
MATERIAL HOUSING: LCP, BLACK		FINISH SEE TABLE		WEIGHT -	
		CUSTOMER DRAWING		SCALE 4:1 SHEET 1 OF 1 REV D1	