



Chipsmall Limited consists of a professional team with an average of over 10 year of expertise in the distribution of electronic components. Based in Hongkong, we have already established firm and mutual-benefit business relationships with customers from,Europe,America and south Asia,supplying obsolete and hard-to-find components to meet their specific needs.

With the principle of “Quality Parts,Customers Priority,Honest Operation,and Considerate Service”,our business mainly focus on the distribution of electronic components. Line cards we deal with include Microchip,ALPS,ROHM,Xilinx,Pulse,ON,Everlight and Freescale. Main products comprise IC,Modules,Potentiometer,IC Socket,Relay,Connector.Our parts cover such applications as commercial,industrial, and automotives areas.

We are looking forward to setting up business relationship with you and hope to provide you with the best service and solution. Let us make a better world for our industry!



Contact us

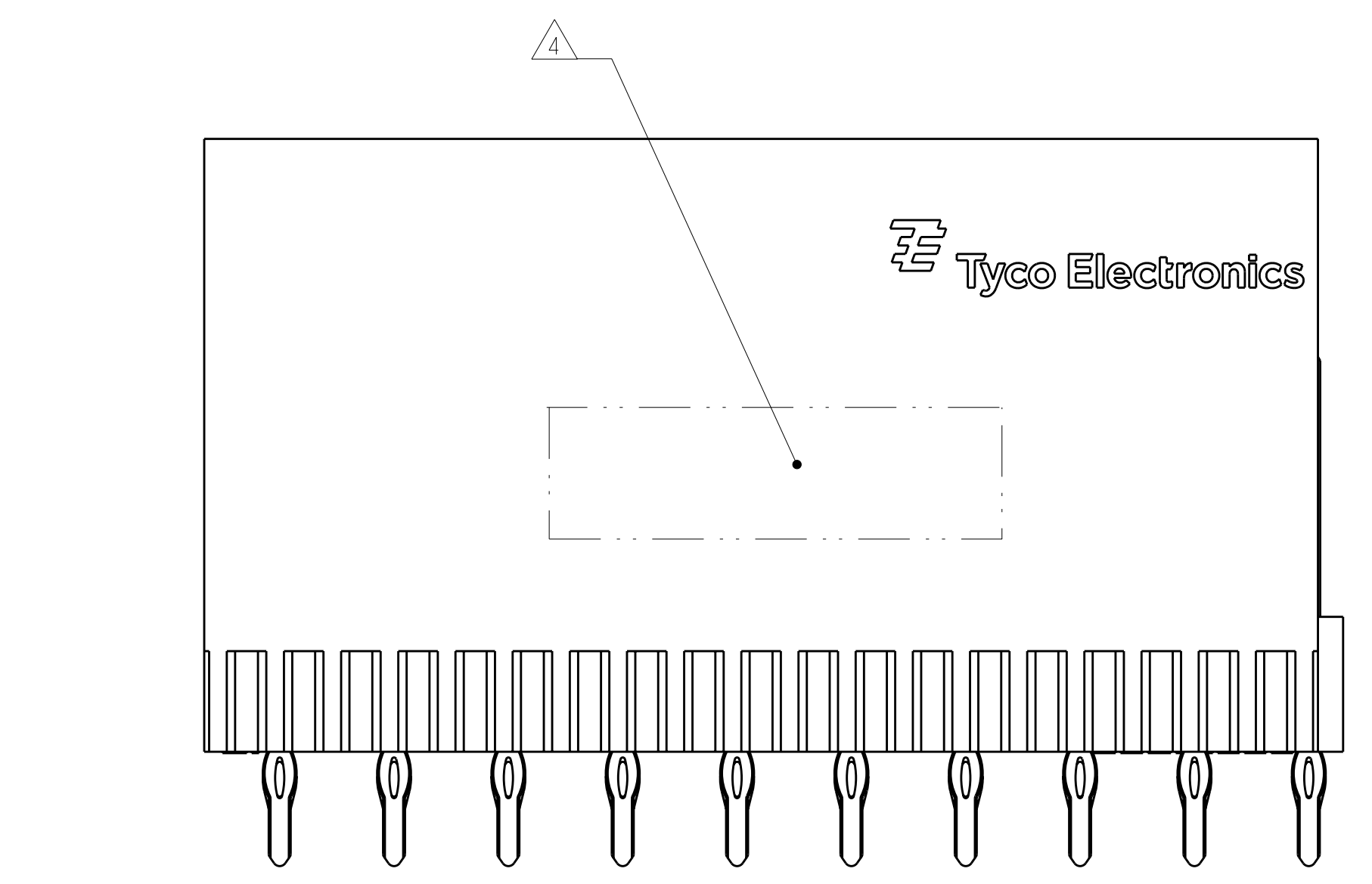
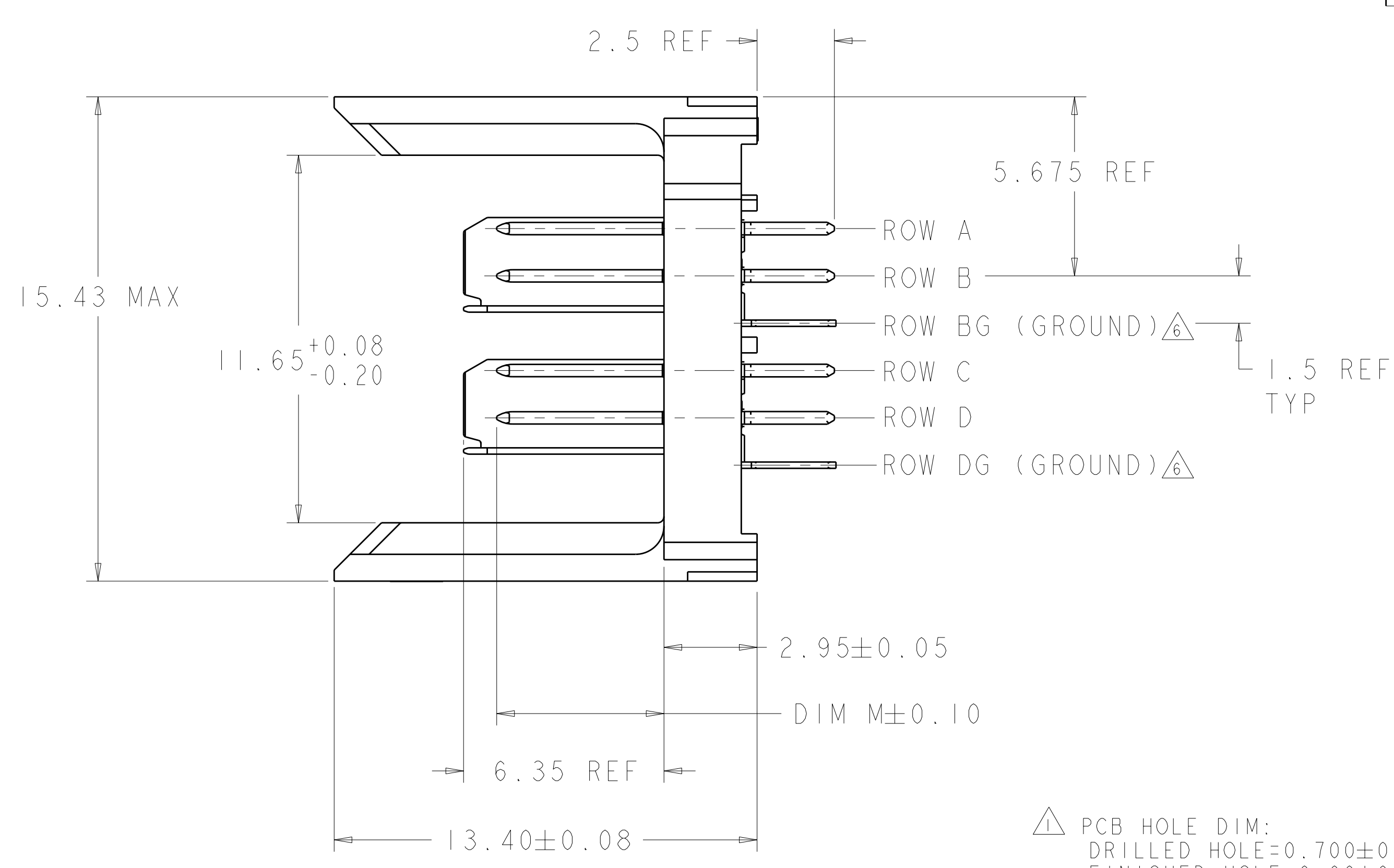
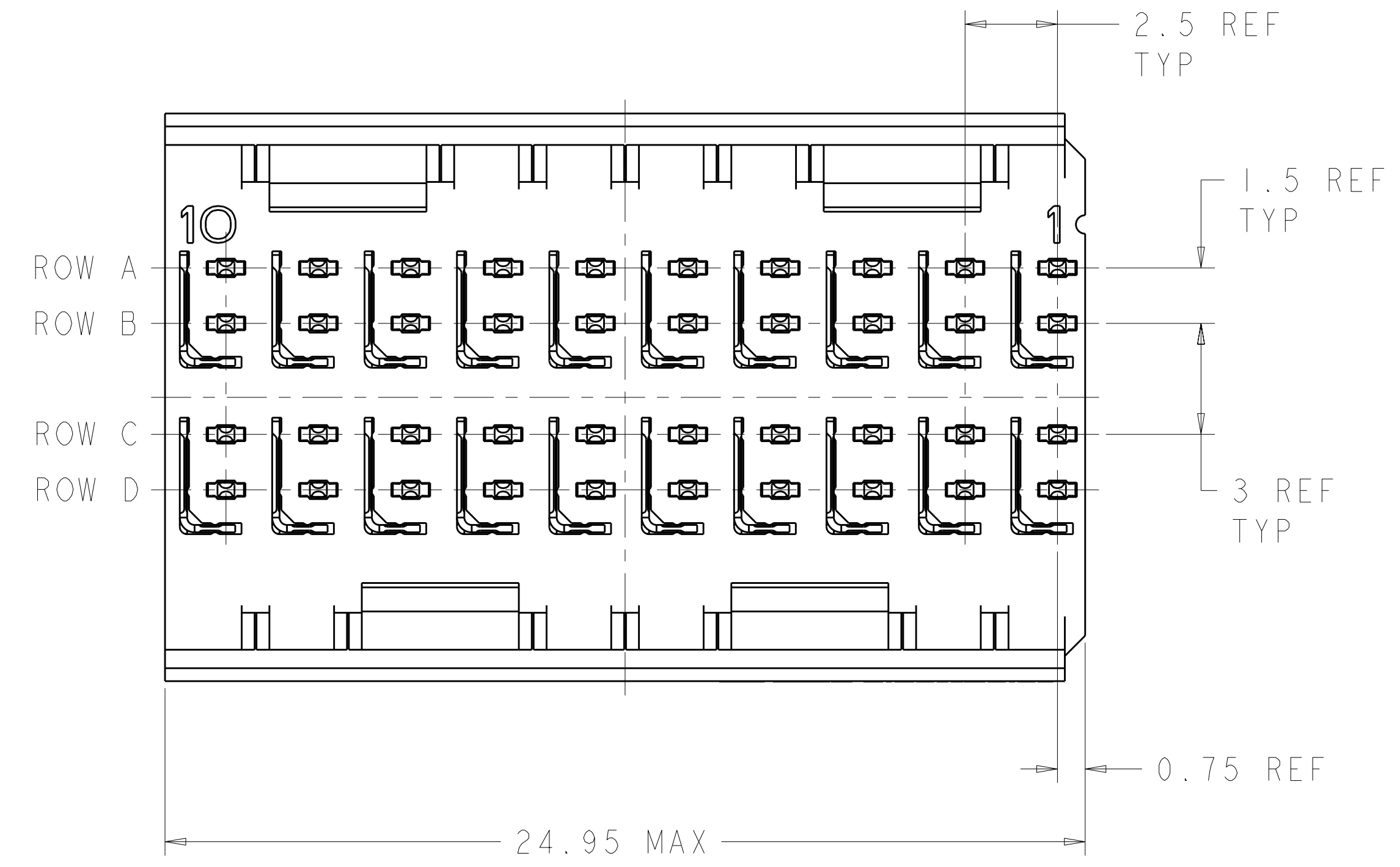
Tel: +86-755-8981 8866 Fax: +86-755-8427 6832

Email & Skype: info@chipsmall.com Web: www.chipsmall.com

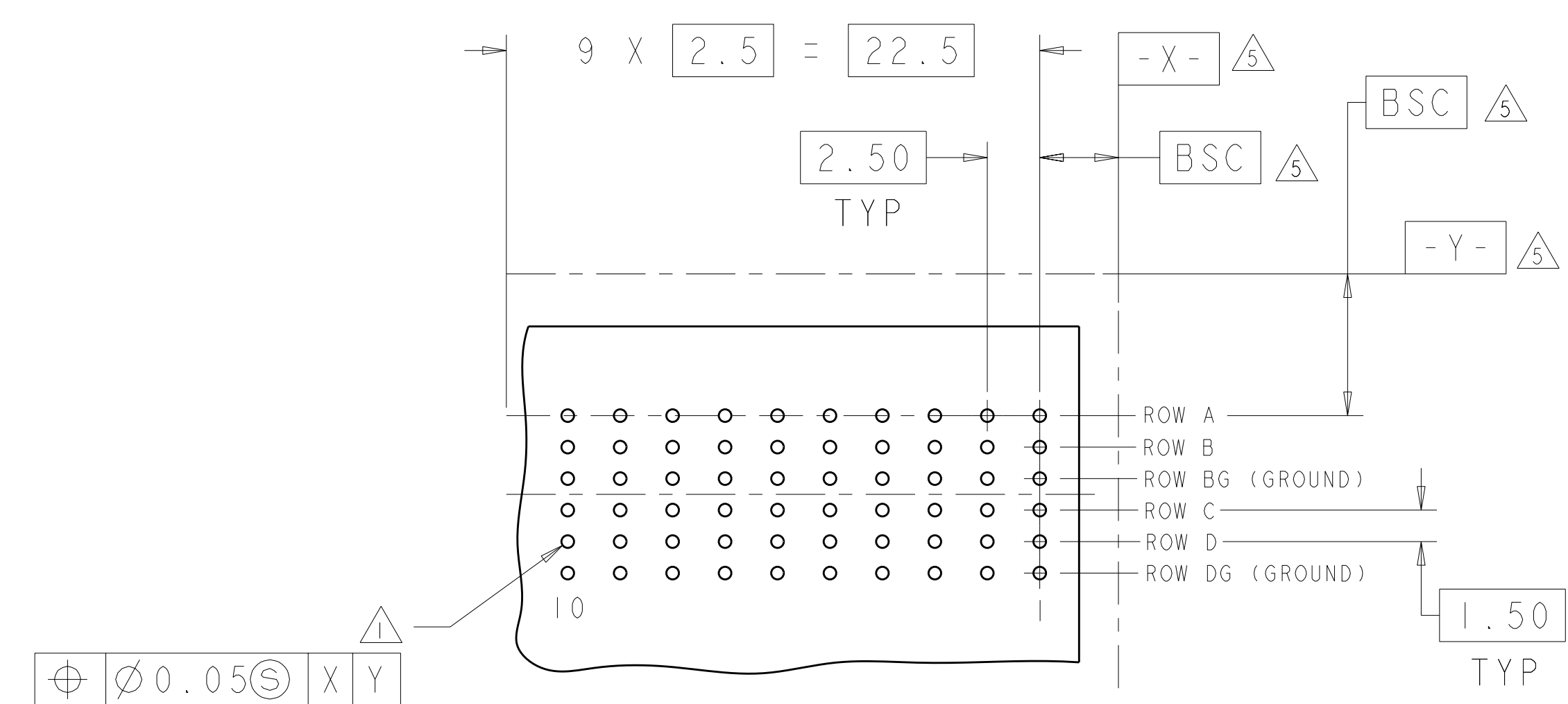
Address: A1208, Overseas Decoration Building, #122 Zhenhua RD., Futian, Shenzhen, China



LOC		DIST		REVISIONS			
AD	00	REV	DATE	BY	CHK	APP	DATE
		A	06FEB2012	KH	DY		



- △ PCB HOLE DIM:
 DRILLED HOLE=0.700±0.025mm
 FINISHED HOLE=0.60±0.05mm
 Cu-THICKNESS=0.0375±0.0125mm
 SnPb THICKNESS=0.007±0.003mm
- △ MATERIAL:
 CONTACT AND SHIELD - PHOSPHOR BRONZE
 HOUSING - GLASS FILLED POLYESTER
- △ FINISH: CONTACT AND SHIELD
 MATING AREA - 0.76µm MIN GOLD OVER 1.27µm MIN NICKEL
 COMPLIANT PIN AREA - 0.5µm MIN BRIGHT TIN
 OVER 1.27µm MIN NICKEL
- △ CONNECTOR MARKED WITH PART NUMBER AND DATE CODE
- △ DATUMS AND BASIC DIMENSIONS ESTABLISHED BY CUSTOMER
- △ THE TWO GROUNDS IN EACH COLUMN ARE COMMONED
- 7. CONTACT AREA LUBRICATED WITH BELLCORE APPROVED LUBRICANT. TECHNICAL REFERENCE: GR-1217-CORE, ISSUE 1, NOVEMBER 1995



⊕ ∅0.05 ⊕ X Y
 ALL PLATED THRU HOLES

RECOMMENDED PC BOARD LAYOUT, BACKPLANE, COMPONENT SIDE SHOWN
 SCALE 4:1

THIS PRODUCT HAS NOT COMPLETED VALIDATION TESTING

5.30	1469323-1
DIM M	PART NUMBER

THIS DRAWING IS A CONTROLLED DOCUMENT.		DWN DK_SCHURM 23JUN2003		TE Connectivity															
DIMENSIONS:		CHK RA_PATTERSON 23JUN2003																	
mm	TOLERANCES UNLESS OTHERWISE SPECIFIED:	APVD		NAME															
<table border="1"> <tr><td>9 PLC</td><td>±</td></tr> <tr><td>3 PLC</td><td>±</td></tr> <tr><td>5 PLC</td><td>±</td></tr> <tr><td>4 PLC</td><td>±</td></tr> <tr><td>ANGLES</td><td>±</td></tr> </table>	9 PLC	±	3 PLC	±	5 PLC	±	4 PLC	±	ANGLES	±	<table border="1"> <tr><td>PRODUCT SPEC</td><td></td></tr> <tr><td>APPLICATION SPEC</td><td></td></tr> </table>	PRODUCT SPEC		APPLICATION SPEC		SIZE CAGE CODE DRAWING NO		RESTRICTED TO	
9 PLC	±																		
3 PLC	±																		
5 PLC	±																		
4 PLC	±																		
ANGLES	±																		
PRODUCT SPEC																			
APPLICATION SPEC																			
MATERIAL	FINISH	WEIGHT		A100779C=1469323															
CUSTOMER DRAWING		SCALE 8:1		SHEET 1 OF 1 REV A															