



Chipsmall Limited consists of a professional team with an average of over 10 year of expertise in the distribution of electronic components. Based in Hongkong, we have already established firm and mutual-benefit business relationships with customers from,Europe,America and south Asia,supplying obsolete and hard-to-find components to meet their specific needs.

With the principle of “Quality Parts,Customers Priority,Honest Operation,and Considerate Service”,our business mainly focus on the distribution of electronic components. Line cards we deal with include Microchip,ALPS,ROHM,Xilinx,Pulse,ON,Everlight and Freescale. Main products comprise IC,Modules,Potentiometer,IC Socket,Relay,Connector.Our parts cover such applications as commercial,industrial, and automotives areas.

We are looking forward to setting up business relationship with you and hope to provide you with the best service and solution. Let us make a better world for our industry!



Contact us

Tel: +86-755-8981 8866 Fax: +86-755-8427 6832

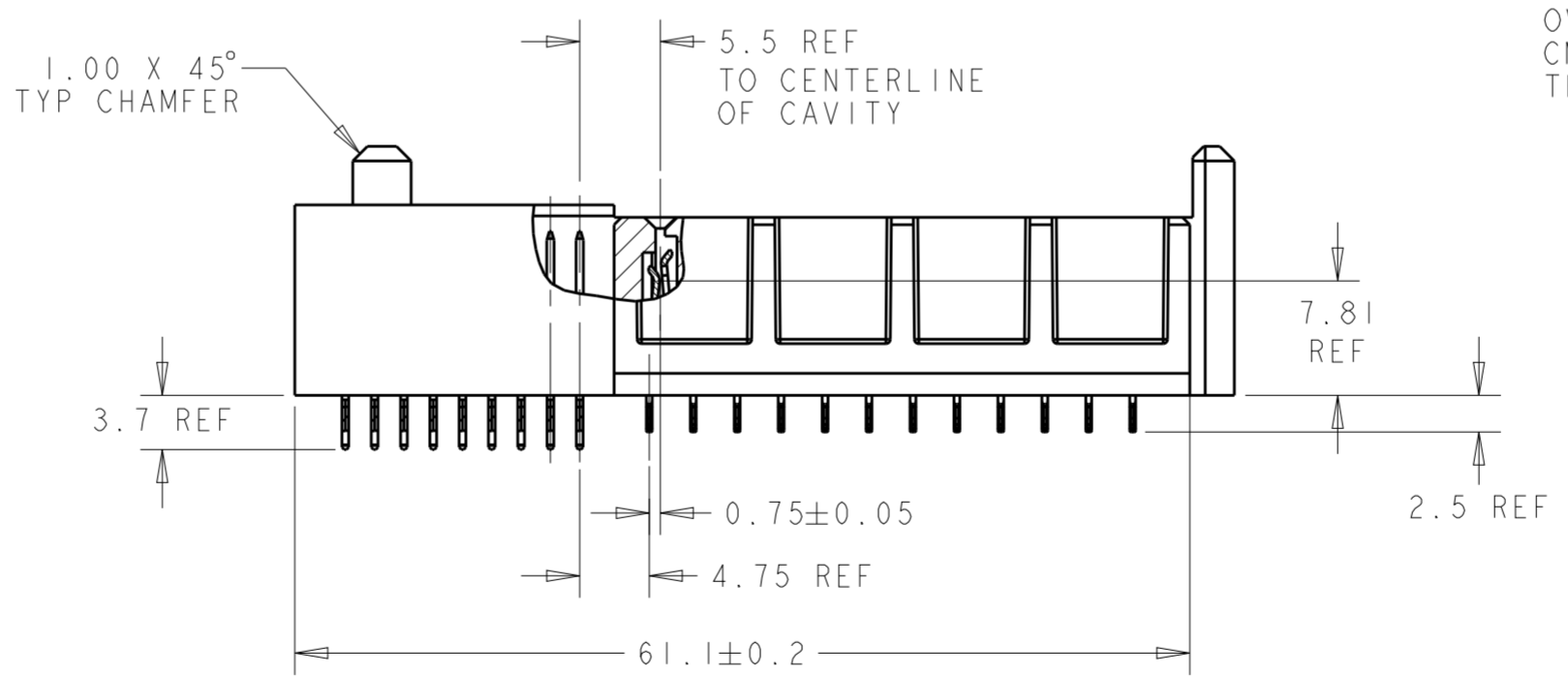
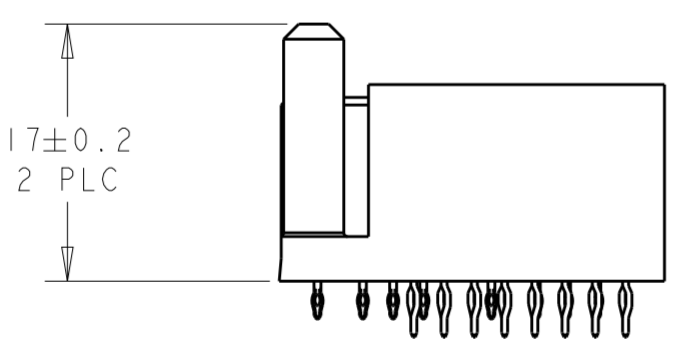
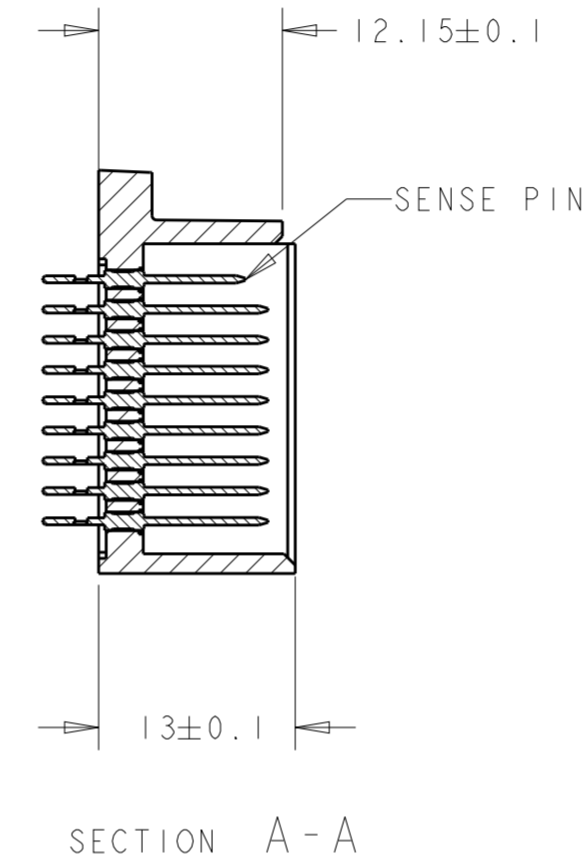
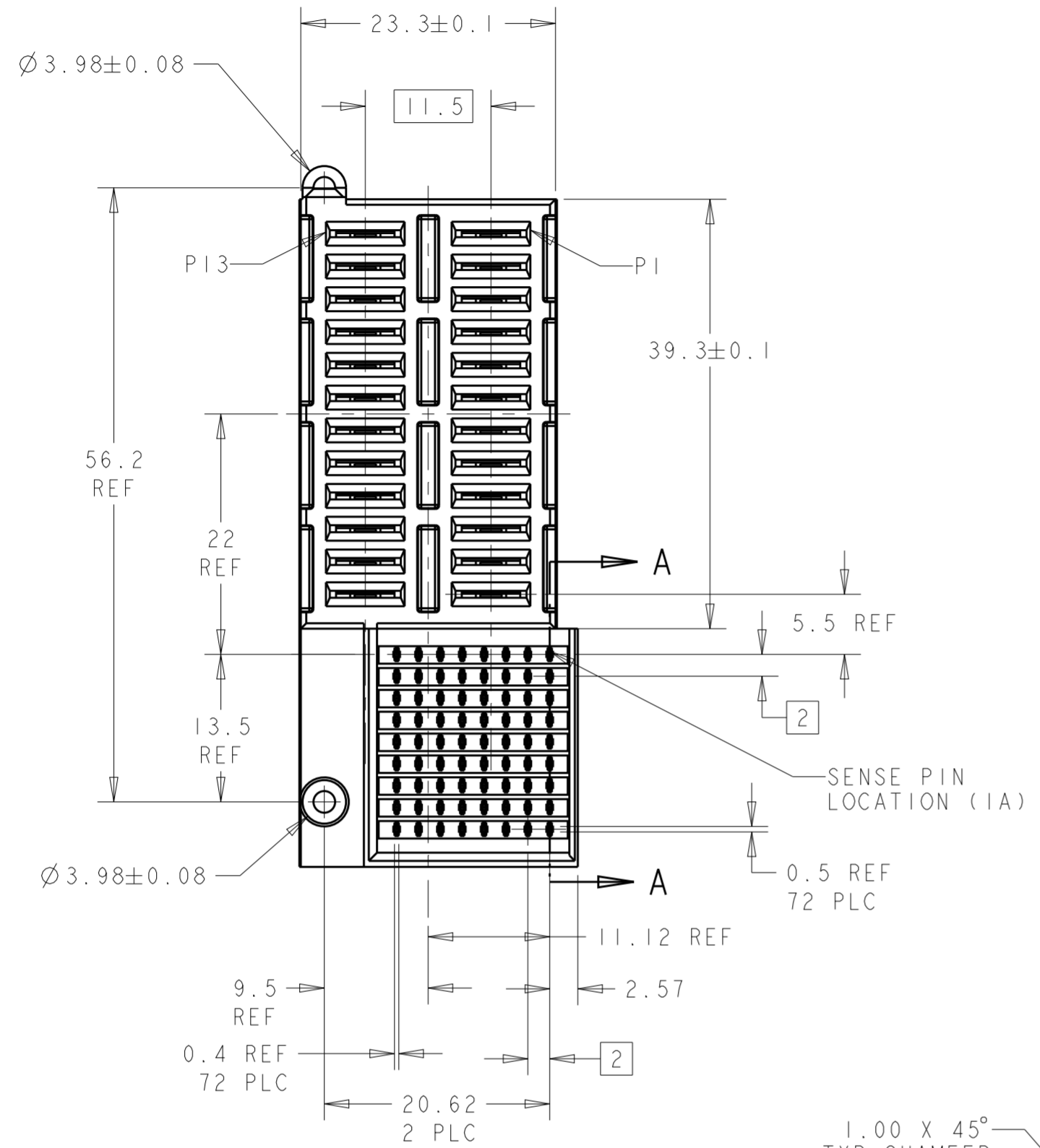
Email & Skype: info@chipsmall.com Web: www.chipsmall.com

Address: A1208, Overseas Decoration Building, #122 Zhenhua RD., Futian, Shenzhen, China



THIS DRAWING IS UNPUBLISHED. RELEASED FOR PUBLICATION 20
 © COPYRIGHT 20 BY TYCO ELECTRONICS CORPORATION. ALL RIGHTS RESERVED.

LOC	DIST	REVISIONS					
CG	00	P	LTR	DESCRIPTION	DATE	DWN	APVD
		6		CHANGED PLATING NOTE 1	06NOV07	DSS	DSS
		7		ADDED TAIL LENGTH DIMENSIONS	08NOV07	DSS	DSS
		8		ADD NEW DASH NUMBER -3	12AUG2009	OL	SY
		9		REVISE PER ECO-16-001464	02FEB2016	SZ	SZ



- 1 PCB HOLE DIM:
 DRILLED HOLE = 0.700 ±0.02 mm
 FINISHED HOLE = 0.600 mm REF
 Cu THICKNESS = 0.025-.050 mm WITH EITHER
 HASL Sn Pb = 0.004-0.015 mm OR
 IMMERSION Sn = 0.0005 mm MIN OR
 OSP = 0.0002-0.0005 mm OR
 IMMERSION Ag = 0.0001 mm
 OR
 DRILLED HOLE = 0.73 ±0.02 mm
 FINISHED HOLE = 0.65 mm REF
 Cu THICKNESS = 0.025-.050 mm WITH
 IMMERSION Au/Ni = 0.0001-0.0005 Au OVER 0.004-0.005 Ni
- 2 MATERIAL ;
 HOUSING - GLASS FILLED POLYESTER
 CONTACTS - COPPER ALLOY
- 3 FINISH: MATING AREA - MEETS PERFORMANCE REQUIREMENTS OF PICMG MICTO TCA.0 DRAFT SPECIFICATION. COMPLIANT PIN AREA - 0.5 um TIN-LEAD OVER 1.27 um MIN NICKEL.
- 4. CONNECTOR MARKED WITH PART NUMBER AND DATE CODE.
- 5 DATUMS AND BASIC DIMENSIONS ESTABLISHED BY CUSTOMER.
- 6. CONTACT AREA LUBRICATED WITH BELLCORE APPROVED LUBRICANT. TECHNICAL REFERENCE GR-1217-CORE, ISSUE 1, NOVEMBER 1995.
- 7 GROUND CONTACT POSITIONS P4 THRU P11 MATE FIRST.
- 8 FINISH: MATING AREA - MEETS PERFORMANCE REQUIREMENTS OF PICMG MICTO TCA.0 DRAFT SPECIFICATION. COMPLIANT PIN AREA - 0.5 um TIN OVER 1.27 um MIN NICKEL.
- 9 FINISH: MATING AREA: GOLD PLATE, 1.27UM MIN THK, OVER NICKEL 1.27 um MIN THK
 CMPLIANT PIN AREA - 0.5 um TIN-LEAD OVER 1.27 um MIN THK NICKEL.

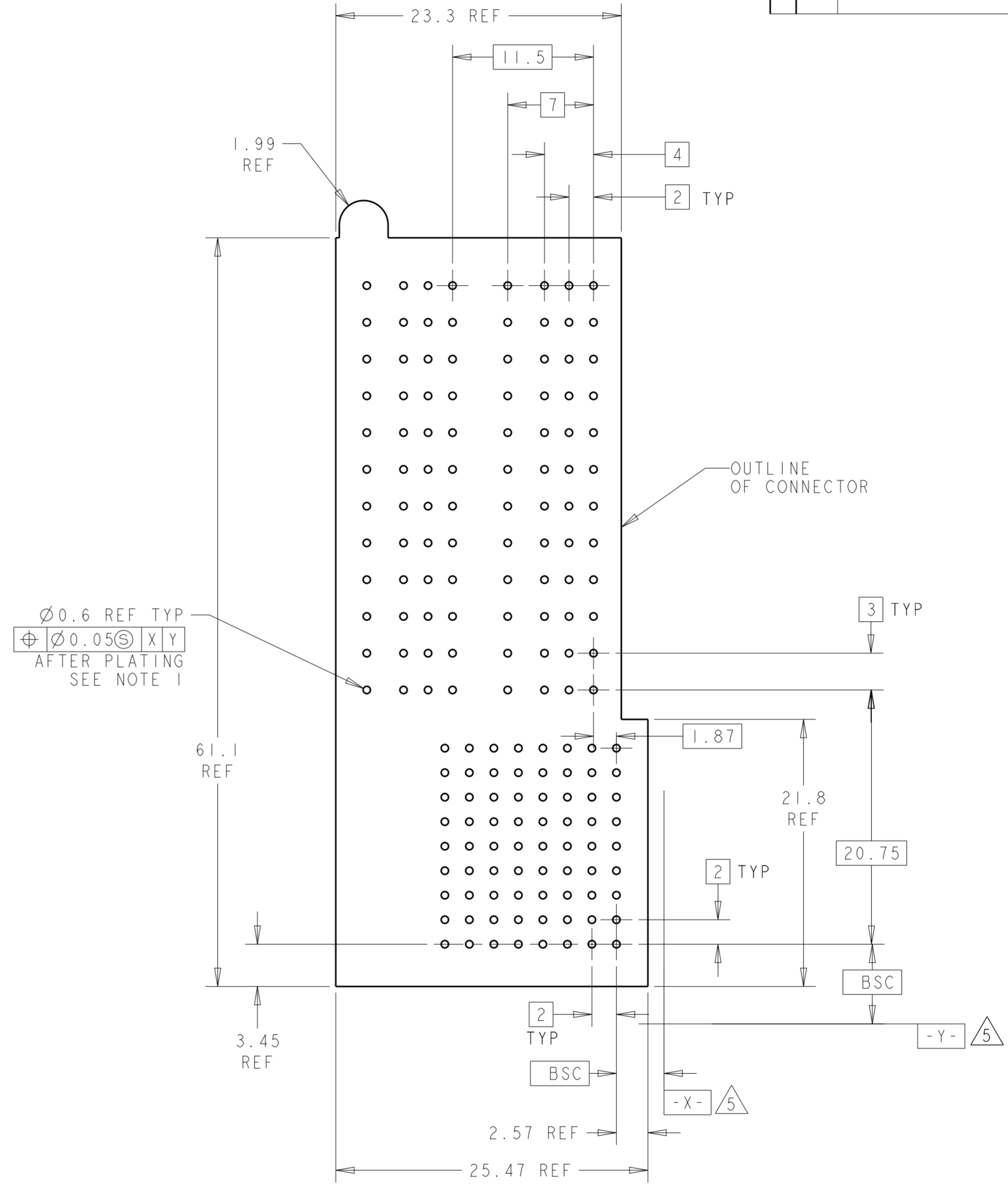
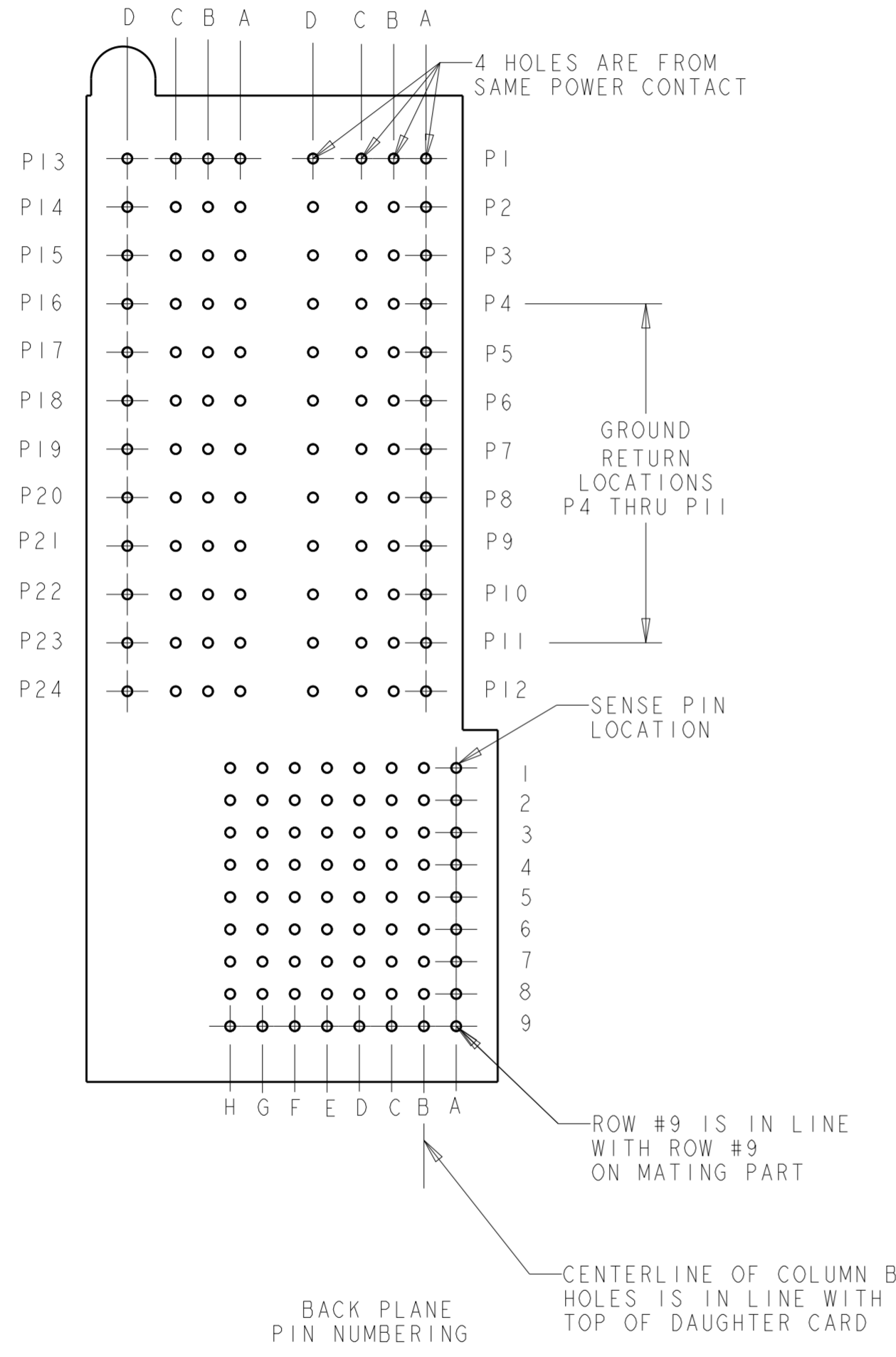
TIN-LEAD 9	1469920-3
TIN 8	1469920-2
TIN 8	1469920-1
COMPLIANT TAIL PLATING	PART NUMBER

THIS DRAWING IS A CONTROLLED DOCUMENT FOR TYCO ELECTRONICS CORPORATION. IT IS SUBJECT TO CHANGE AND THE CONTROLLING ENGINEERING ORGANIZATION SHOULD BE CONTACTED FOR THE LATEST REVISION.

DIMENSIONS:	TOLERANCES UNLESS OTHERWISE SPECIFIED:	DWN	25 JAN 06	Tyco Electronics Harrisburg, PA 17105-3608
mm	0 PLC ±0.1 1 PLC ±0.1 2 PLC ±0.13 3 PLC ±0.013 4 PLC ±0.0001 ANGLES ±1 FINISH	CHK	D. SZCZESNY	
MATERIAL	- 1	APVD	-	PRODUCT SPEC
		APPLICATION SPEC	-	MINIPAK HD POWER/SIGNAL CONNECTOR PRESS FIT TAIL VERSION
		WEIGHT	-	SIZE CAGE CODE DRAWING NO
		CUSTOMER DRAWING	-	A200779 C-1469920
		SCALE	2:1	RESTRICTED TO
		SHEET	1 OF 2	-
		REV	9	

THIS DRAWING IS UNPUBLISHED. RELEASED FOR PUBLICATION 20
 © COPYRIGHT 20 BY TYCO ELECTRONICS CORPORATION. ALL RIGHTS RESERVED.

LOC	DIST	REVISIONS					
CG	00	P	LTR	DESCRIPTION	DATE	DWN	APVD
		-		SEE SHEET 1			



Ø0.6 REF TYP
 Ø0.05 X Y
 AFTER PLATING
 SEE NOTE 1

THIS DRAWING IS A CONTROLLED DOCUMENT FOR TYCO ELECTRONICS CORPORATION IT IS SUBJECT TO CHANGE AND THE CONTROLLING ENGINEERING ORGANIZATION SHOULD BE CONTACTED FOR THE LATEST REVISION.		DWN D. SZCZESNY	25 JAN 06	Tyco Electronics Harrisburg, PA 17105-3608	
DIMENSIONS: mm		CHK -	APVD -	NAME MINIPAK HD POWER/SIGNAL CONNECTOR PRESS FIT TAIL VERSION	
TOLERANCES UNLESS OTHERWISE SPECIFIED: 0 PLC ±0.1 1 PLC ±0.1 2 PLC ±0.13 3 PLC ±0.013 4 PLC ±0.0001 ANGLES ±1		PRODUCT SPEC -		SIZE A200779	
MATERIAL - 1		APPLICATION SPEC -		DRAWING NO C-1469920	
FINISH -		WEIGHT -		RESTRICTED TO -	
CUSTOMER DRAWING		SCALE 2:1		SHEET 2 OF 2 REV 9	