



Chipsmall Limited consists of a professional team with an average of over 10 year of expertise in the distribution of electronic components. Based in Hongkong, we have already established firm and mutual-benefit business relationships with customers from,Europe,America and south Asia,supplying obsolete and hard-to-find components to meet their specific needs.

With the principle of “Quality Parts,Customers Priority,Honest Operation,and Considerate Service”,our business mainly focus on the distribution of electronic components. Line cards we deal with include Microchip,ALPS,ROHM,Xilinx,Pulse,ON,Everlight and Freescale. Main products comprise IC,Modules,Potentiometer,IC Socket,Relay,Connector.Our parts cover such applications as commercial,industrial, and automotives areas.

We are looking forward to setting up business relationship with you and hope to provide you with the best service and solution. Let us make a better world for our industry!



Contact us

Tel: +86-755-8981 8866 Fax: +86-755-8427 6832

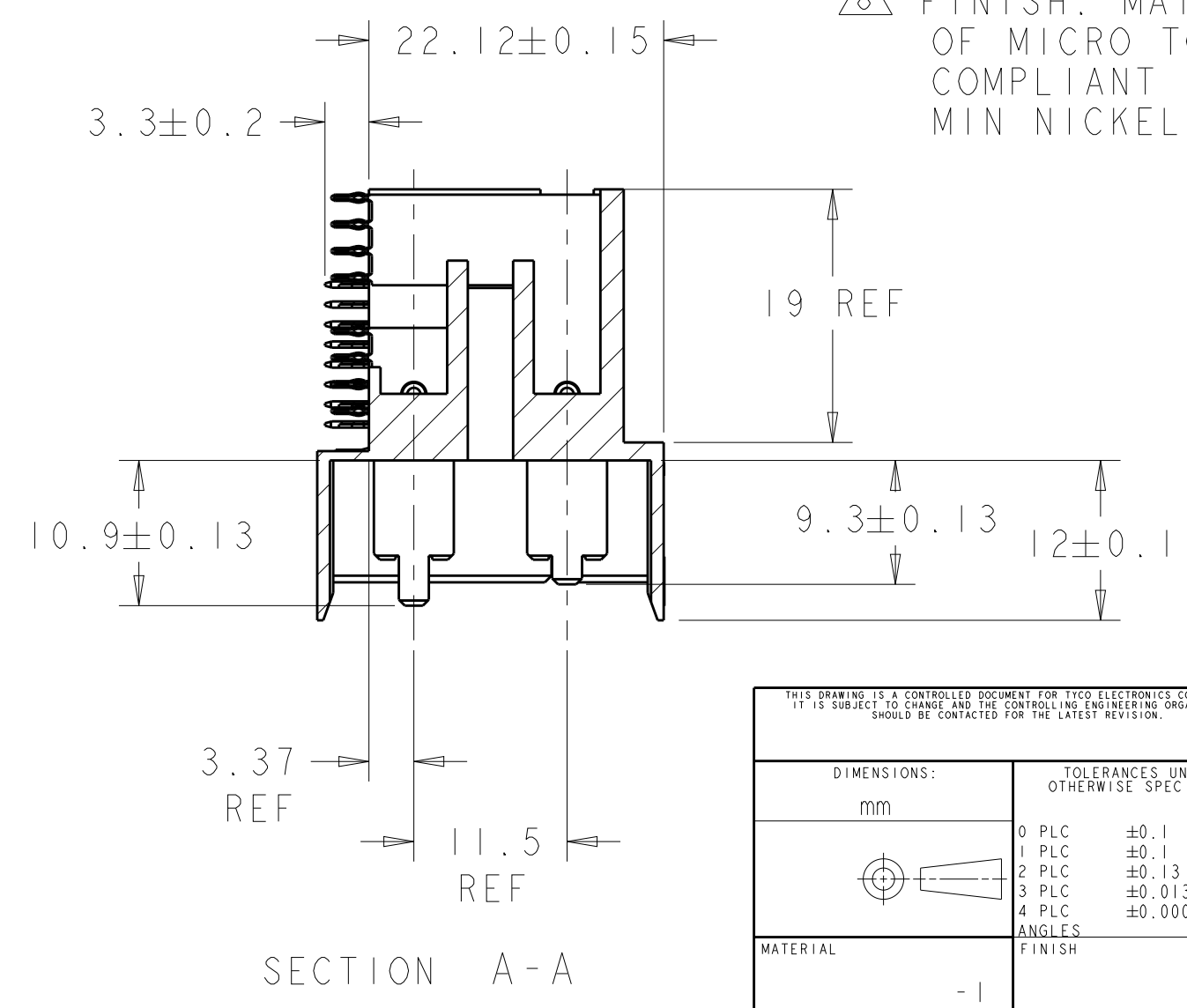
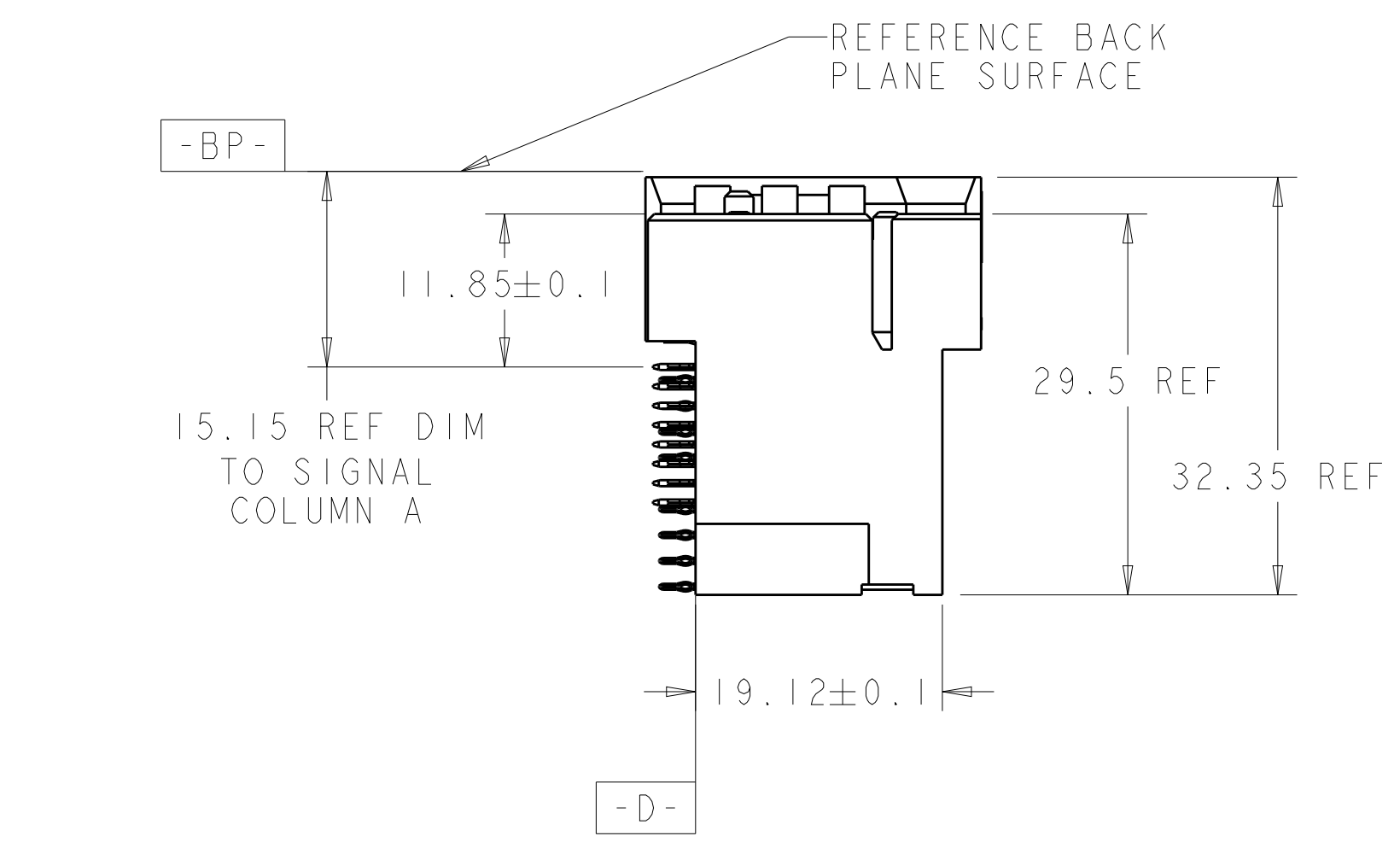
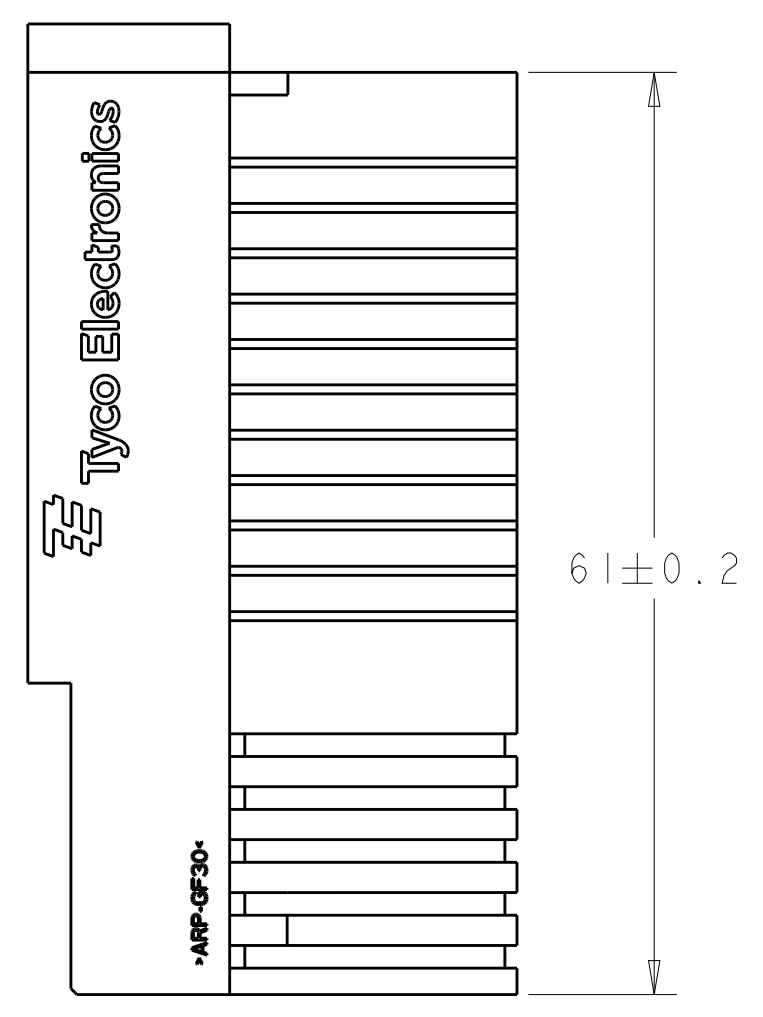
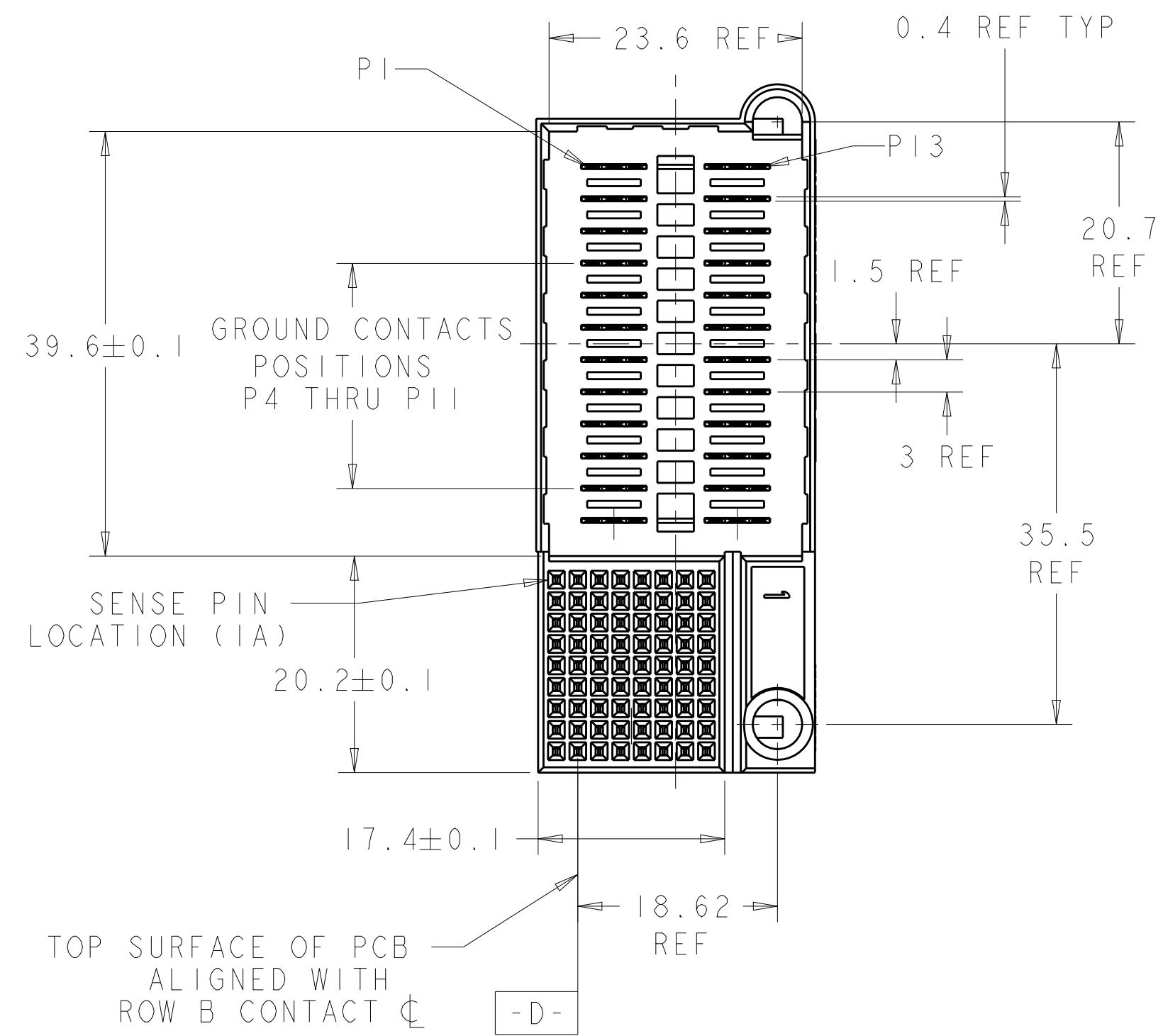
Email & Skype: info@chipsmall.com Web: www.chipsmall.com

Address: A1208, Overseas Decoration Building, #122 Zhenhua RD., Futian, Shenzhen, China



THIS DRAWING IS UNPUBLISHED. RELEASED FOR PUBLICATION 20
 © COPYRIGHT 20 BY TYCO ELECTRONICS CORPORATION. ALL RIGHTS RESERVED.

| LOC | | DIST | | REVISIONS | | | |
|-----|-----|-----------------------|-----------|-----------|------|--|--|
| P | LTR | DESCRIPTION | DATE | DWN | APVD | | |
| CG | 00 | | | | | | |
| | A | REV PER ECO-08-023966 | 26SEP08 | CR | MP | | |
| | B | REV PER ECR-12-016892 | 29JAN2013 | OL | SZ | | |



△ PCB HOLE DIM:
 DRILLED HOLE = 0.70 ±0.02 mm
 FINISHED HOLE = 0.60 mm REF
 Cu THICKNESS = 0.025-0.050 mm WITH EITHER
 HASL Sn Pb = 0.004-0.015 mm OR
 IMMERSION Sn = 0.0005 mm MIN OR
 OSP = 0.0002-0.0005 mm OR
 IMMERSION Ag = 0.0001 mm
 OR
 DRILLED HOLE = 0.73 ±0.02 mm
 FINISHED HOLE = 0.65 mm REF
 Cu THICKNESS = 0.025-0.050 mm WITH
 IMMERSION Au/Ni = 0.0001-0.0005 Au OVER
 0.004-0.005 Ni

- ② MATERIAL ;
HOUSING - GLASS FILLED POLYESTER
CONTACTS - COPPER ALLOY
- ③ FINISH: MATING AREA - MEETS PERFORMANCE REQUIREMENTS OF MICRO TCA.0 DRAFT SPECIFICATION. COMPLIANT PIN AREA - 0.5 um TIN OVER 1.27 um MIN NICKEL.
- 4. CONNECTOR MARKED WITH PART NUMBER AND DATE CODE.
- ⑤ DATUMS AND BASIC DIMENSIONS ESTABLISHED BY CUSTOMER.
- 6. CONTACT AREA LUBRICATED WITH BELLCORE APPROVED LUBRICANT. TECHNICAL REFERENCE GR-1217-CORE, ISSUE 1, NOVEMBER 1995.
- ⑦ GROUND CONTACT POSITIONS P4 THRU P11 MATE FIRST.
- ⑧ FINISH: MATING AREA - MEETS PERFORMANCE REQUIREMENTS OF MICRO TCA.0 DRAFT SPECIFICATION. COMPLIANT PIN AREA - 0.5 um TIN-LEAD OVER 1.27 um MIN NICKEL.

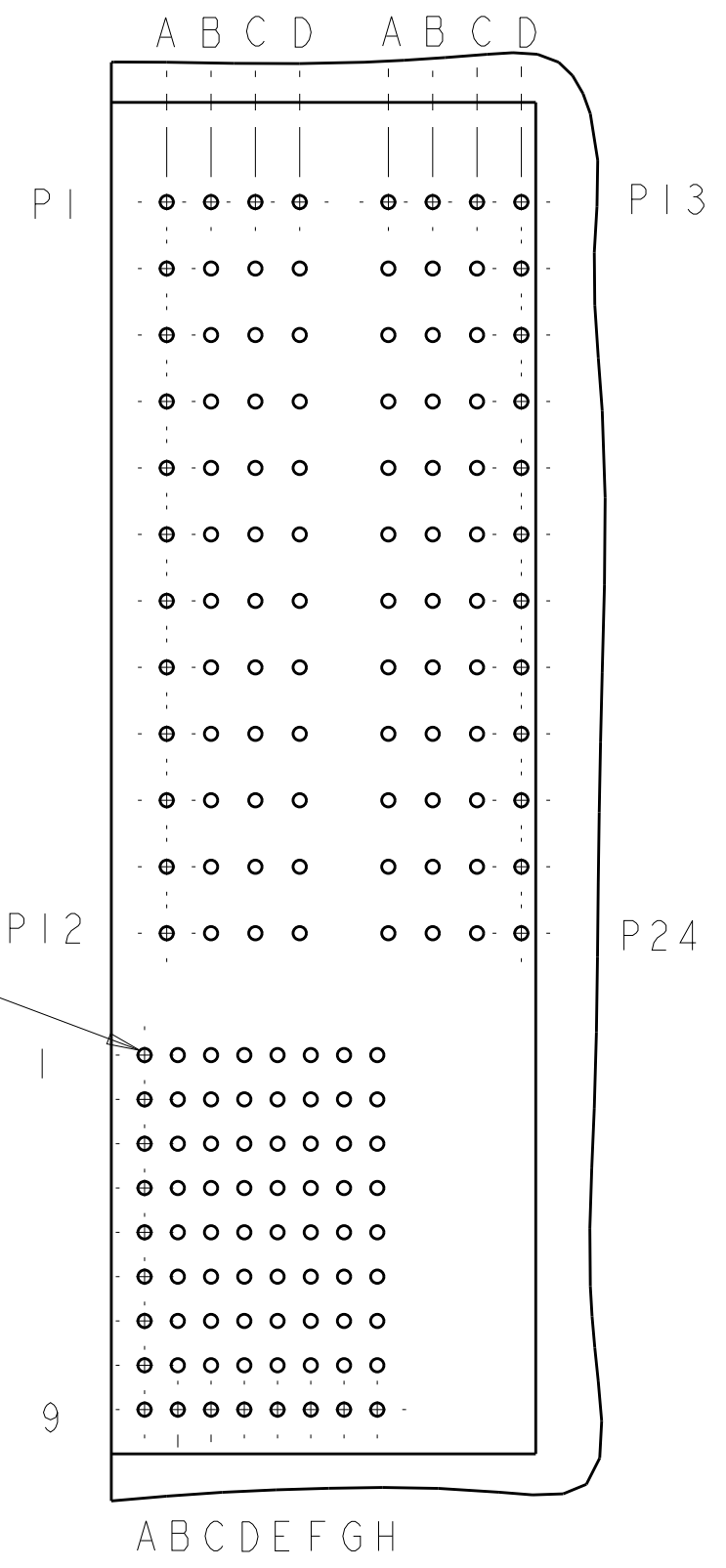
THIS PRODUCT HAS NOT COMPLETED VERIFICATION TESTING

| | | |
|----------|-----------------|-------------|
| OBSOLETE | GOLD/TIN LEAD ⑧ | 1469922-2 |
| | GOLD/TIN ③ | 1469922-1 |
| | PLATING | PART NUMBER |

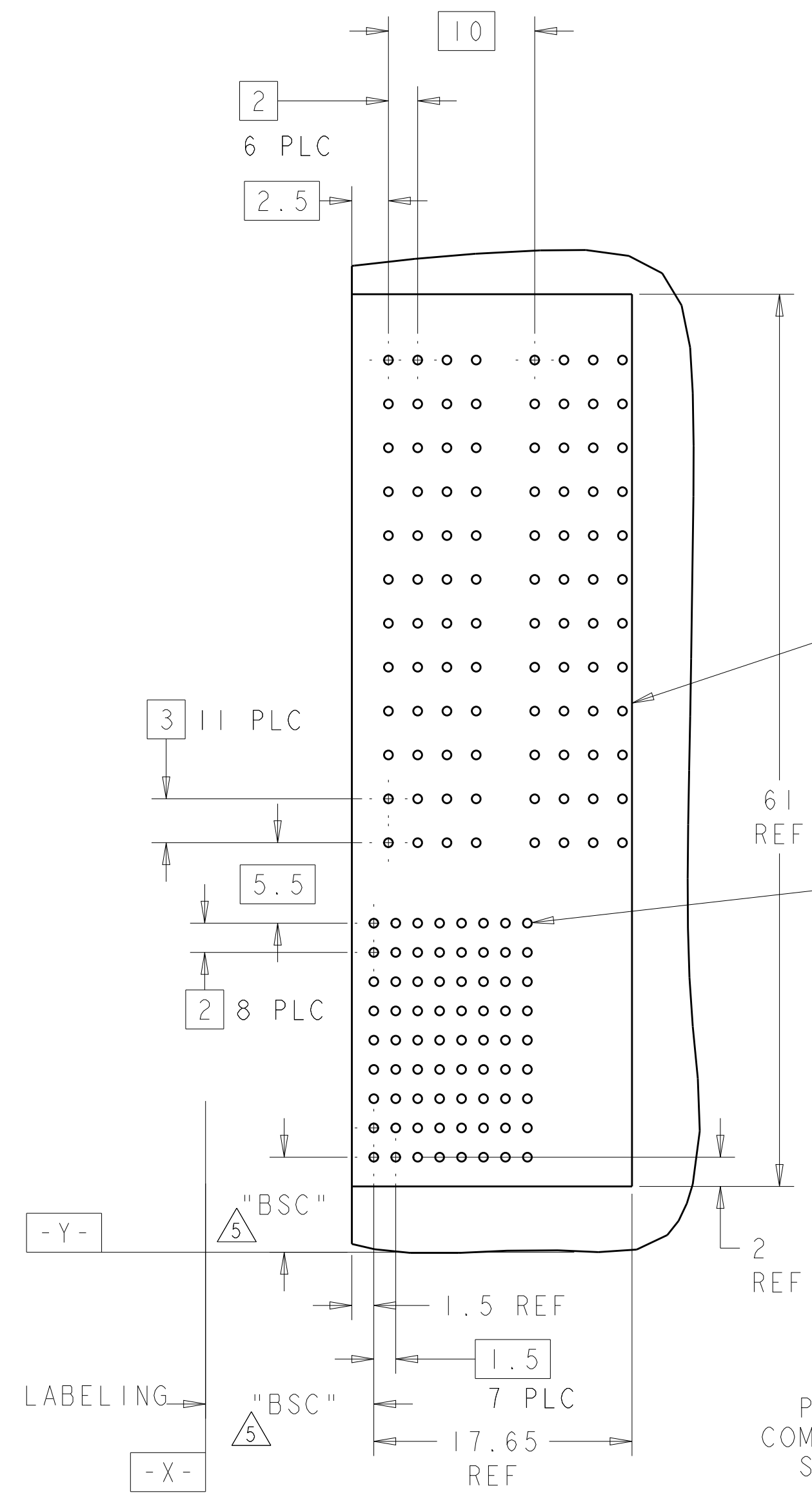
| | | | | |
|---|--|---------------------------------|---|--|
| THIS DRAWING IS A CONTROLLED DOCUMENT FOR TYCO ELECTRONICS CORPORATION. IT IS SUBJECT TO CHANGE AND THE CONTROLLING ENGINEERING ORGANIZATION SHOULD BE CONTACTED FOR THE LATEST REVISION. | | DWN D. SZCZESNY 03apr06 | Tyco Electronics Harrisburg, PA 17105-3608 | |
| DIMENSIONS: mm | | CHK - | NAME M. PERCHERKE | |
| TOLERANCES UNLESS OTHERWISE SPECIFIED: | | APVD M. PERCHERKE 26SEP08 | PRODUCT SPEC - | |
| 0 PLC ±0.1 | | APPLICATION SPEC - | | |
| 1 PLC ±0.1 | | WEIGHT - | | |
| 2 PLC ±0.13 | | SIZE A200779 | | |
| 3 PLC ±0.013 | | CAGE CODE C-1469922 | | |
| 4 PLC ±0.0001 | | DRAWING NO - | | |
| ANGLES ±1 | | RESTRICTED TO - | | |
| FINISH | | SCALE 2:1 | | |
| MATERIAL -1 | | SHEET 1 OF 2 | | |
| | | REV B | | |

THIS DRAWING IS UNPUBLISHED. RELEASED FOR PUBLICATION 20
 © COPYRIGHT 20 BY TYCO ELECTRONICS CORPORATION. ALL RIGHTS RESERVED.

| LOC | DIST | REVISIONS | | | | | |
|-----|------|-----------|-----|-------------|------|-----|------|
| CG | 00 | P | LTR | DESCRIPTION | DATE | DWN | APVD |
| | | - | | SEE SHEET 1 | | | |



SCALE 3:1



PCB LAYOUT
 COMPONENT SIDE
 SCALE 3:1

| | | | | |
|---|--|------------------------------|--|------------------------|
| THIS DRAWING IS A CONTROLLED DOCUMENT FOR TYCO ELECTRONICS CORPORATION. IT IS SUBJECT TO CHANGE AND THE CONTROLLING ENGINEERING ORGANIZATION SHOULD BE CONTACTED FOR THE LATEST REVISION. | | DWN D. SZCZESNY 03apr06 | Tyco Electronics Harrisburg, PA 17105-3608 | |
| DIMENSIONS: mm | | CHK - | NAME M. PERCHERKE | |
| TOLERANCES UNLESS OTHERWISE SPECIFIED: 0 PLC ±0.1 1 PLC ±0.1 2 PLC ±0.13 3 PLC ±0.013 4 PLC ±0.0001 ANGLES ±1 | | APVD M. PERCHERKE 26SEP08 | PRODUCT SPEC - | |
| MATERIAL -1 | | APPLICATION SPEC - | MINIPAK HD POWER/SIGNAL CONNECTOR PRESS FIT TAIL VERSION | |
| | | WEIGHT - | SIZE A200779 | CAGE CODE C-1469922 |
| | | Customer Drawing | | RESTRICTED TO - |
| | | SCALE 2:1 | SHEET 2 | OF 2 |
| | | REV B | | |