



Chipsmall Limited consists of a professional team with an average of over 10 year of expertise in the distribution of electronic components. Based in Hongkong, we have already established firm and mutual-benefit business relationships with customers from,Europe,America and south Asia,supplying obsolete and hard-to-find components to meet their specific needs.

With the principle of "Quality Parts,Customers Priority,Honest Operation,and Considerate Service",our business mainly focus on the distribution of electronic components. Line cards we deal with include Microchip,ALPS,ROHM,Xilinx,Pulse,ON,Everlight and Freescale. Main products comprise IC,Modules,Potentiometer,IC Socket,Relay,Connector.Our parts cover such applications as commercial,industrial, and automotives areas.

We are looking forward to setting up business relationship with you and hope to provide you with the best service and solution. Let us make a better world for our industry!



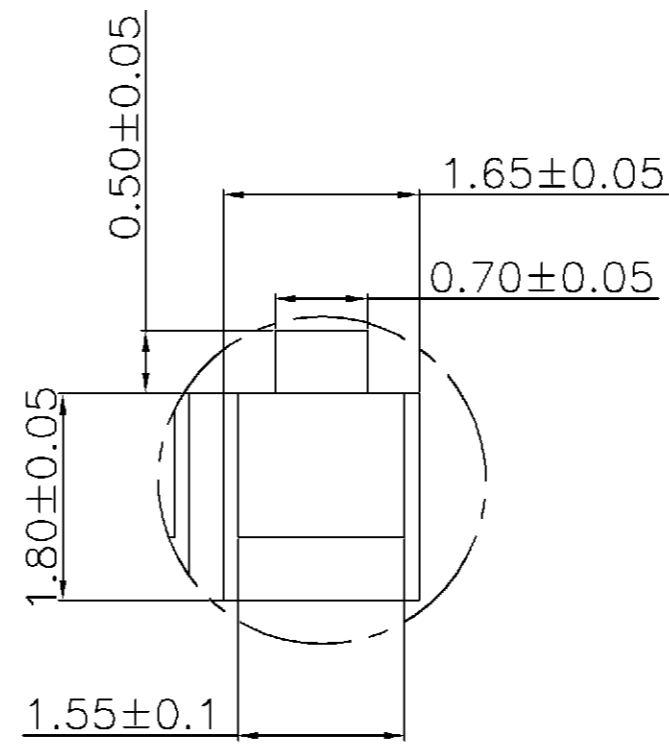
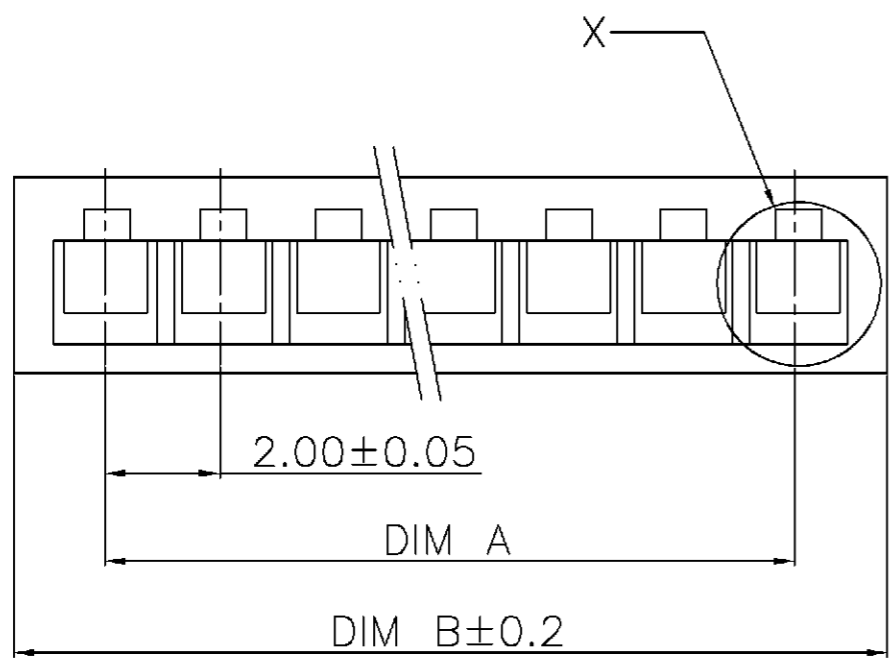
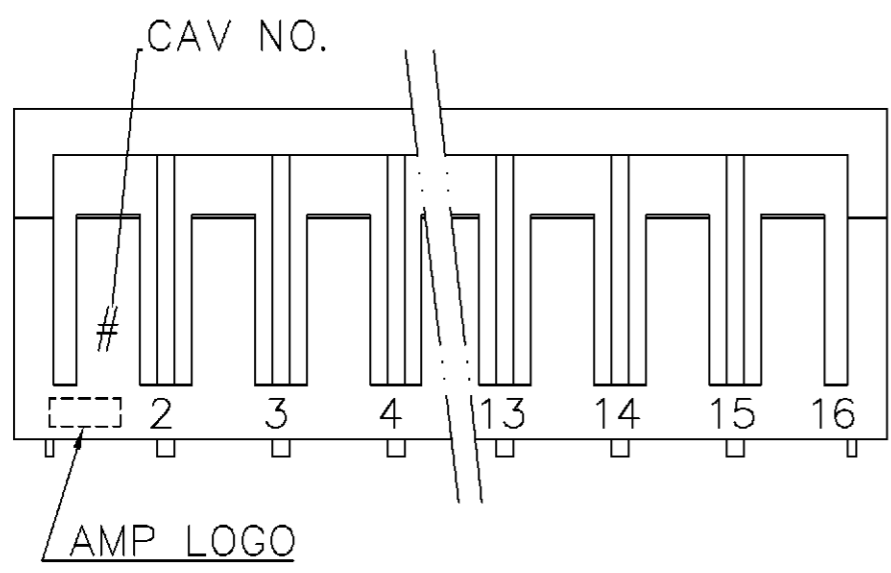
## Contact us

Tel: +86-755-8981 8866 Fax: +86-755-8427 6832

Email & Skype: info@chipsmall.com Web: www.chipsmall.com

Address: A1208, Overseas Decoration Building, #122 Zhenhua RD., Futian, Shenzhen, China





DETAIL X  
SCALE 2:1

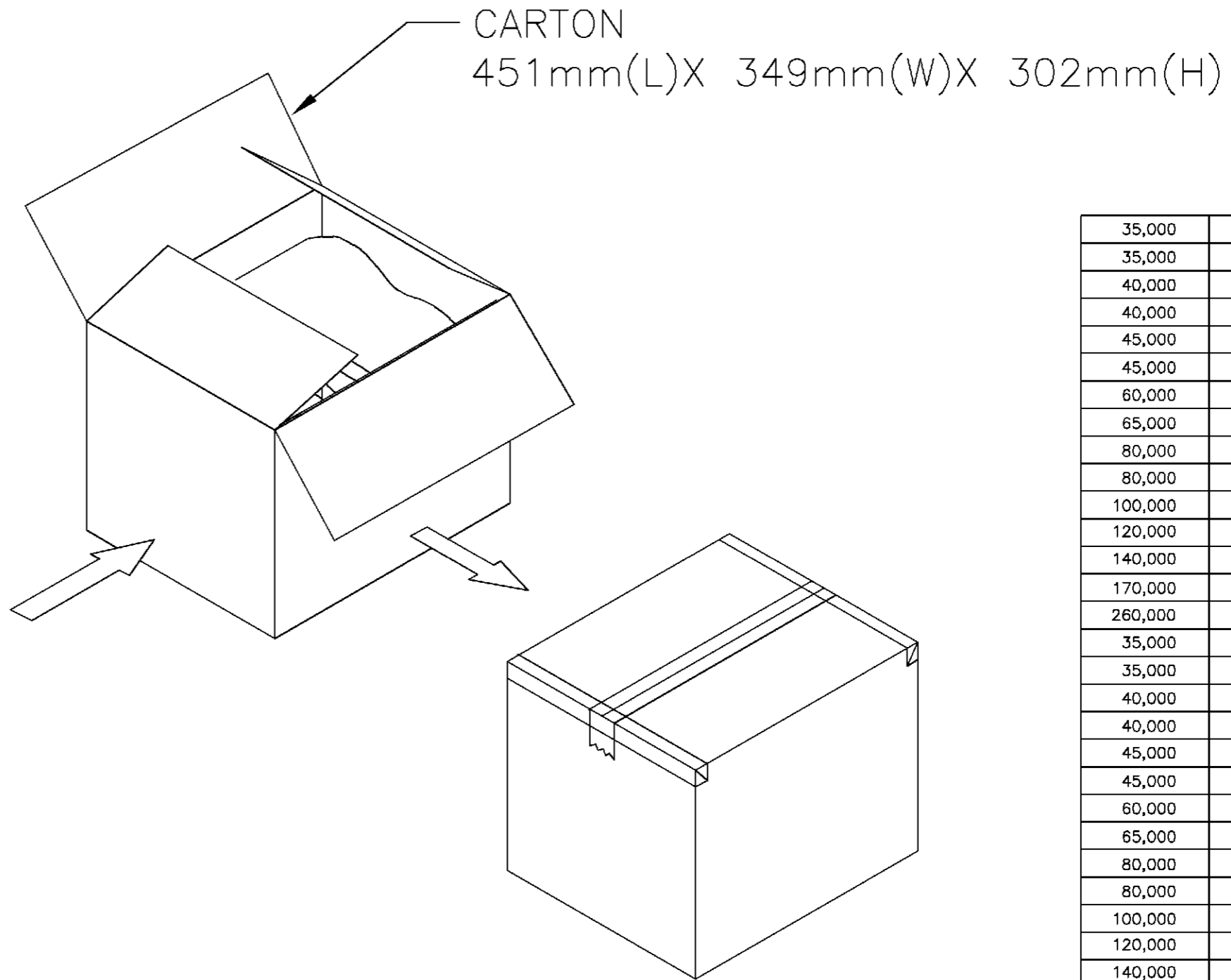
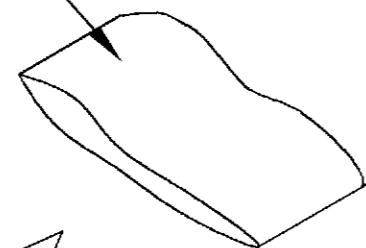
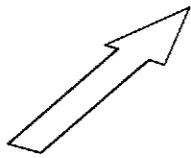
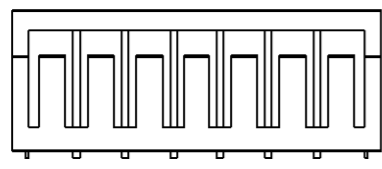
NOTE:  
1. MATERIAL :  
HOUSING : THERMOPLASTIC UL94V-0,  
COLOR: SEE TABLE.

HOUSING COLOR	DIM. B	DIM. A	POS.	PART NUMBER
YELLOW	33.2	30.00±0.20	16	3-1470201-6
	31.2	28.00±0.20	15	3-1470201-5
	29.2	26.00±0.20	14	3-1470201-4
	27.2	24.00±0.20	13	3-1470201-3
	25.2	22.00±0.15	12	3-1470201-2
	23.2	20.00±0.15	11	3-1470201-1
	21.2	18.00±0.15	10	3-1470201-0
	19.2	16.00±0.15	9	2-1470201-9
	17.2	14.00±0.10	8	2-1470201-8
	15.2	12.00±0.10	7	2-1470201-7
	13.2	10.00±0.10	6	2-1470201-6
	11.2	8.00±0.08	5	2-1470201-5
	9.2	6.00±0.08	4	2-1470201-4
	7.2	4.00±0.05	3	2-1470201-3
	5.2	2.00±0.05	2	2-1470201-2
	NATURAL	33.2	30.00±0.20	16
31.2		28.00±0.20	15	1-1470201-5
29.2		26.00±0.20	14	1-1470201-4
27.2		24.00±0.20	13	1-1470201-3
25.2		22.00±0.15	12	1-1470201-2
23.2		20.00±0.15	11	1-1470201-1
21.2		18.00±0.15	10	1-1470201-0
19.2		16.00±0.15	9	1470201-9
17.2		14.00±0.10	8	1470201-8
15.2		12.00±0.10	7	1470201-7
13.2		10.00±0.10	6	1470201-6
11.2		8.00±0.08	5	1470201-5
9.2		6.00±0.08	4	1470201-4
7.2		4.00±0.05	3	1470201-3
5.2		2.00±0.05	2	1470201-2


DIMENSION : 0 PLC ± 1 PLC ±0.20 2 PLC ±0.10 3 PLC ±0.05 ANGLES ±	DWN	O. HU	TE Connectivity NAME 2.0 MM PITCH, CRIMP, VERTICAL HOUSING.
	MATERIAL	APVD	
SEE NOTE	CHK	J. CHENG	PRODUCT SPEC 108-57158
FINISH	QUALIFICATION TEST REPORT 501-57248	LOC DW	SIZE A <sub>3</sub>
SEE NOTE	WEIGHT	SCALE	DRAWING NO C-1470201
			REV B1
			SHEET 1 OF 2

B1		REVISED PER ECO-11-005301	RK	HMR	5APR11
LTR	REVISION RECORD	ECO	DWN	CHK	DATE

POLY BAG



35,000	1000	3-1470201-6
35,000	1000	3-1470201-5
40,000	1000	3-1470201-4
40,000	1000	3-1470201-3
45,000	1000	3-1470201-2
45,000	1000	3-1470201-1
60,000	1000	3-1470201-0
65,000	1000	2-1470201-9
80,000	1000	2-1470201-8
80,000	1000	2-1470201-7
100,000	1000	2-1470201-6
120,000	1000	2-1470201-5
140,000	1000	2-1470201-4
170,000	1000	2-1470201-3
260,000	1000	2-1470201-2
35,000	1000	1-1470201-6
35,000	1000	1-1470201-5
40,000	1000	1-1470201-4
40,000	1000	1-1470201-3
45,000	1000	1-1470201-2
45,000	1000	1-1470201-1
60,000	1000	1-1470201-0
65,000	1000	1470201-9
80,000	1000	1470201-8
80,000	1000	1470201-7
100,000	1000	1470201-6
120,000	1000	1470201-5
140,000	1000	1470201-4
170,000	1000	1470201-3
260,000	1000	1470201-2
APQ (PCS/CARTON)	PPQ (PCS/BAG)	PART NUMBER

DIMENSION : 0 PLC ± 1 PLC ± 2 PLC ± 3 PLC ± ANGLES ±'	DWN	O. HU	 TE Connectivity			
		25-OCT-2002				
MATERIAL  SEE NOTE	CHK	J. CHENG	NAME  2.0 MM PITCH, CRIMP, VERTICAL HOUSING.			
		25-OCT-2002				
FINISH  SEE NOTE	APVD	J. WU	LOC	SIZE	DRAWING NO	REV
		25-OCT-2002	DW	A <sub>3</sub>	C-1470201	B1
	PRODUCT SPEC		SCALE	SHEET		
	APPLICATION SPEC		--	2 OF 2		
	WEIGHT					

LTR	REVISION RECORD	SEE SHEET 1.	ECO	DWN	CHK	DATE