



Chipsmall Limited consists of a professional team with an average of over 10 year of expertise in the distribution of electronic components. Based in Hongkong, we have already established firm and mutual-benefit business relationships with customers from,Europe,America and south Asia,supplying obsolete and hard-to-find components to meet their specific needs.

With the principle of "Quality Parts,Customers Priority,Honest Operation,and Considerate Service",our business mainly focus on the distribution of electronic components. Line cards we deal with include Microchip,ALPS,ROHM,Xilinx,Pulse,ON,Everlight and Freescale. Main products comprise IC,Modules,Potentiometer,IC Socket,Relay,Connector.Our parts cover such applications as commercial,industrial, and automotives areas.

We are looking forward to setting up business relationship with you and hope to provide you with the best service and solution. Let us make a better world for our industry!



## Contact us

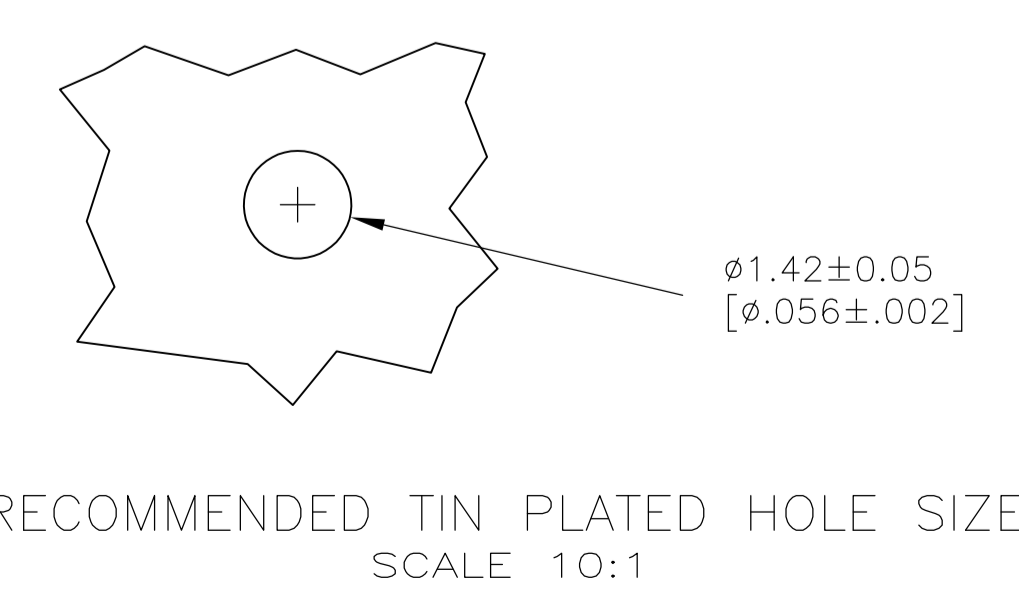
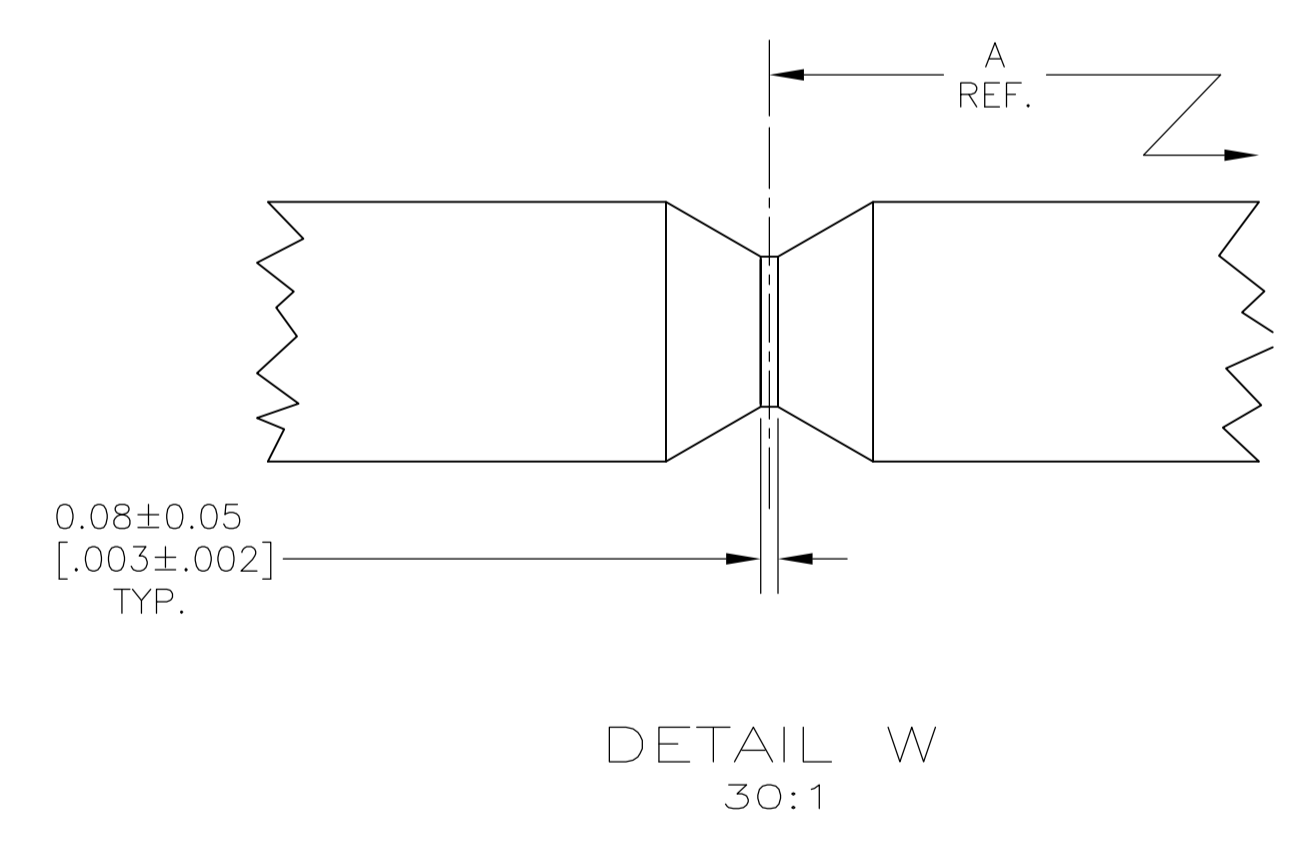
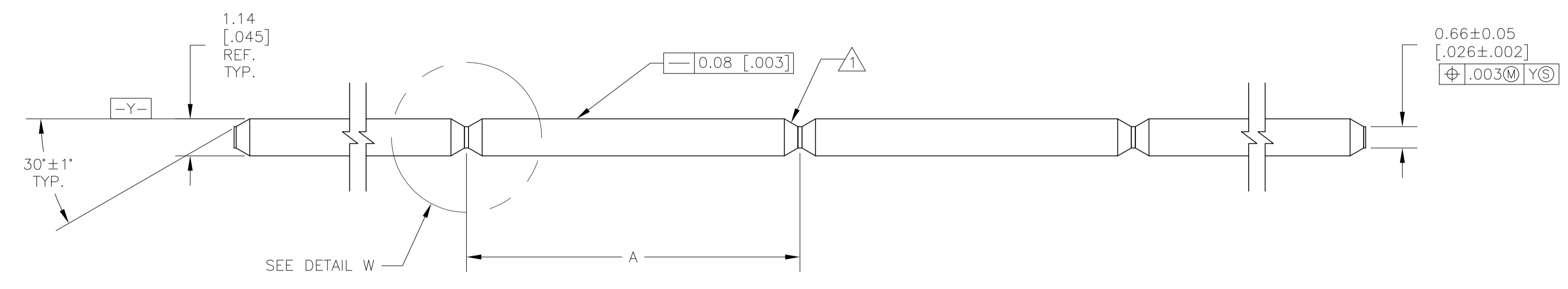
Tel: +86-755-8981 8866 Fax: +86-755-8427 6832

Email & Skype: info@chipsmall.com Web: www.chipsmall.com

Address: A1208, Overseas Decoration Building, #122 Zhenhua RD., Futian, Shenzhen, China



1 THE NOTCHED EDGES AND POST TIPS WILL NOT BE PLATED.  
 2 .000762 [.000030] MIN GOLD OVER .00127 [.000050] MIN NICKEL.



25.40	[1.000]	6-147072-1
25.15	[.990]	6-147072-0
24.89	[.980]	5-147072-9
24.64	[.970]	5-147072-8
24.38	[.960]	5-147072-7
24.13	[.950]	5-147072-6
23.88	[.940]	5-147072-5
23.62	[.930]	5-147072-4
23.37	[.920]	5-147072-3
23.11	[.910]	5-147072-2
22.86	[.900]	5-147072-1
22.61	[.890]	5-147072-0
22.35	[.880]	4-147072-9
22.10	[.870]	4-147072-8
21.84	[.860]	4-147072-7
21.59	[.850]	4-147072-6
21.34	[.840]	4-147072-5
21.08	[.830]	4-147072-4
20.83	[.820]	4-147072-3
20.57	[.810]	4-147072-2
20.32	[.800]	4-147072-1
20.07	[.790]	4-147072-0
19.81	[.780]	3-147072-9
19.56	[.770]	3-147072-8
19.30	[.760]	3-147072-7
19.05	[.750]	3-147072-6
18.80	[.740]	3-147072-5
18.54	[.730]	3-147072-4
18.28	[.720]	3-147072-3
18.03	[.710]	3-147072-2
17.78	[.700]	3-147072-1
17.53	[.690]	3-147072-0
17.27	[.680]	2-147072-9
17.02	[.670]	2-147072-8
16.76	[.660]	2-147072-7
16.51	[.650]	2-147072-6
16.26	[.640]	2-147072-5
16.00	[.630]	2-147072-4
15.75	[.620]	2-147072-3
15.49	[.610]	2-147072-2
15.24	[.600]	2-147072-1
14.99	[.590]	2-147072-0
14.73	[.580]	1-147072-9
14.48	[.570]	1-147072-8
14.22	[.560]	1-147072-7
13.97	[.550]	1-147072-6
13.72	[.540]	1-147072-5
13.46	[.530]	1-147072-4
13.21	[.520]	1-147072-3
12.95	[.510]	1-147072-2
12.70	[.500]	1-147072-1
12.45	[.490]	1-147072-0
12.19	[.480]	147072-9
11.94	[.470]	147072-8
11.68	[.460]	147072-7
11.43	[.450]	147072-6
11.18	[.440]	147072-5
10.92	[.430]	147072-4
10.67	[.420]	147072-3
10.41	[.410]	147072-2
10.16	[.400]	147072-1
	A	PART NO.

THIS DRAWING IS A CONTROLLED DOCUMENT.		DIN B HAYMAKER 23JUN00	Tyco Electronics Corporation	
DIMENSIONS: INCHES		CHK M CHIANG 4SEP98	Harrisburg, PA 17105-3608	
TOLERANCES UNLESS OTHERWISE SPECIFIED:		APPD M CHIANG 4SEP98	NAME .045 SQUARE CONTINUOUS POST, 30u GOLD	
0 PLC ± -		PRODUCT SPEC		
1 PLC ± -		APPLICATION SPEC		
2 PLC ± -		SIZE 114-13011		
3 PLC ± 0.13(.005)		WEIGHT		
4 PLC ± -		A1 00779 147072		
ANGLES ± -		CUSTOMER DRAWING		
MATERIAL BRASS		SCALE 10:1 SHEET 1 OF 1 REV E		
FINISH 2		RESTRICTED TO		