



Chipsmall Limited consists of a professional team with an average of over 10 year of expertise in the distribution of electronic components. Based in Hongkong, we have already established firm and mutual-benefit business relationships with customers from,Europe,America and south Asia,supplying obsolete and hard-to-find components to meet their specific needs.

With the principle of “Quality Parts,Customers Priority,Honest Operation,and Considerate Service”,our business mainly focus on the distribution of electronic components. Line cards we deal with include Microchip,ALPS,ROHM,Xilinx,Pulse,ON,Everlight and Freescale. Main products comprise IC,Modules,Potentiometer,IC Socket,Relay,Connector.Our parts cover such applications as commercial,industrial, and automotives areas.

We are looking forward to setting up business relationship with you and hope to provide you with the best service and solution. Let us make a better world for our industry!



## Contact us

Tel: +86-755-8981 8866 Fax: +86-755-8427 6832

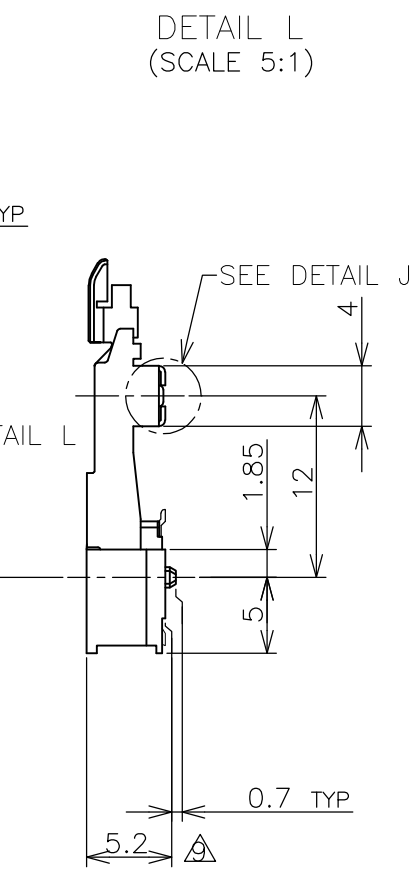
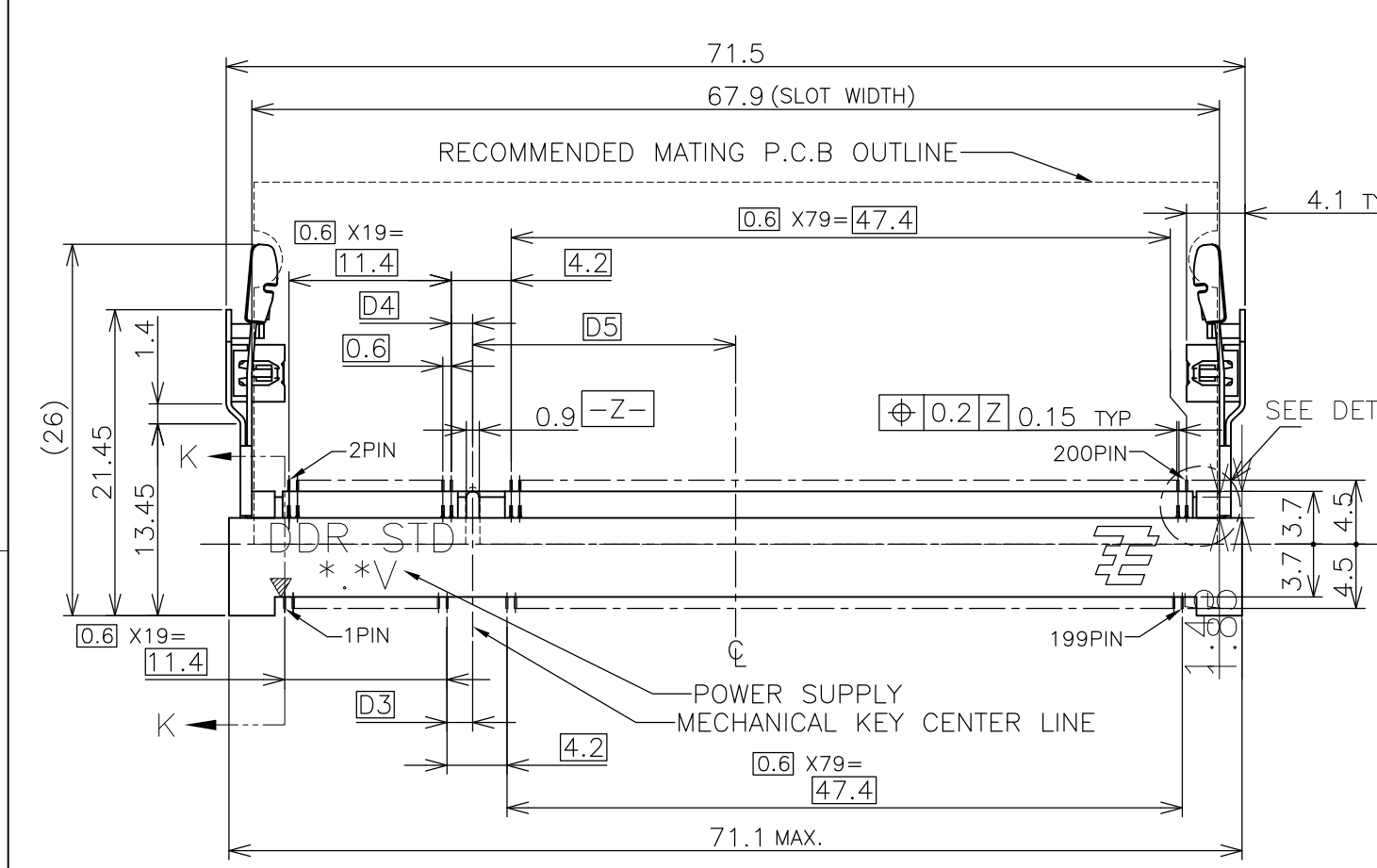
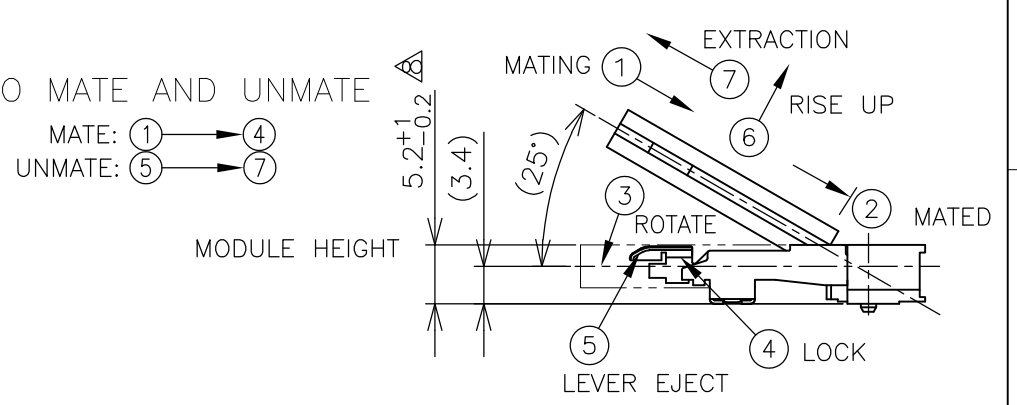
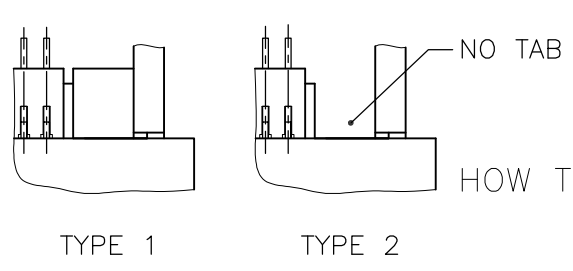
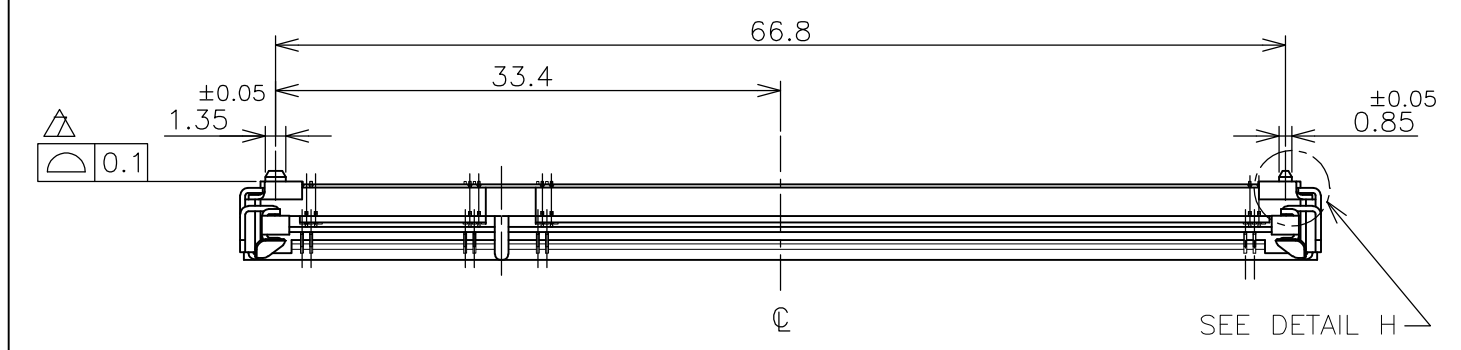
Email & Skype: info@chipsmall.com Web: www.chipsmall.com

Address: A1208, Overseas Decoration Building, #122 Zhenhua RD., Futian, Shenzhen, China

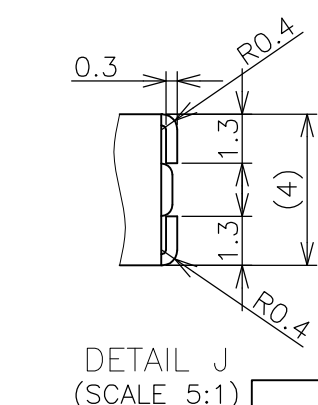
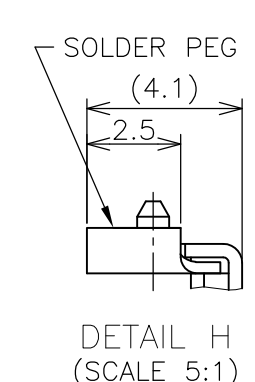
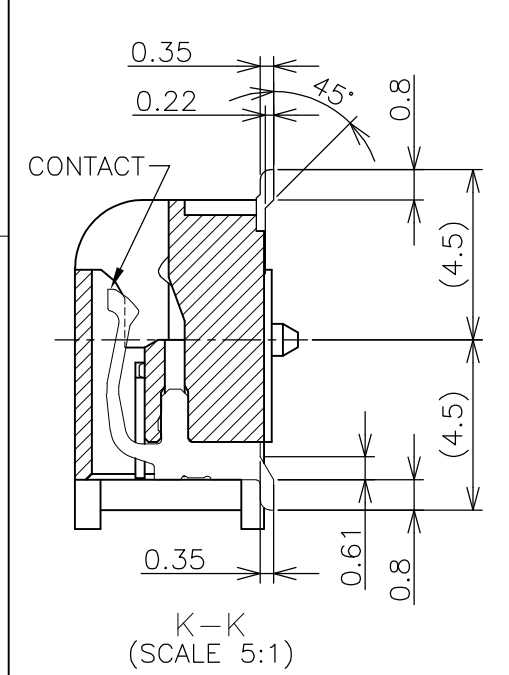


THIS DRAWING IS UNPUBLISHED. RELEASED FOR PUBLICATION NOV. 2001. ALL RIGHTS RESERVED.

LOC		DIST		REVISIONS			
J		P	LTR	DESCRIPTION	DATE	DWN	APVD
			J2	REVISED PER ECO-11-005033	24MAR11	RK	HMR



- (APPLIED TO SHEET 1-2)
- MATERIAL ; HOUSING: HIGH TEMPERATURE THERMO PLASTIC UL94V-0  
CONTACT: COPPER ARROY  
LOCK LEVER: STAINLESS STEEL  
SOLDER PEG: COPPER ARROY
  - FINISH ; CONTACT AREA: GOLD FLASH ON 0.0013MIN ALL OVER NICKEL.  
SOLDERING AREA: GOLD FLASH PLT.  
SOLDER PEG: TIN PLATING.
  - MECHANICAL KEY POSITION OF CONNECTOR SEE TABLE.
  - TOLERANCES NON-CUMULATIVE.
  - NOT TO SCALE.
  - INSIDE MUST BE RESIST COAT EXCEPT SOLDER PATTERN.
  - COPLANARITY : 0.1 MAX.
  - THE FLOATING VALUE BY SOLDERING IS NOT INCLUDED.
  - NOT MATING CONDITION.
  - FINISH ; CONTACT AREA: 0.00076 GOLD ON 0.0013MIN ALL OVER NICKEL.  
SOLDERING AREA: 0.00076 GOLD PLT.  
SOLDER PEG: TIN PLATING.
- 11 IF THE MODULE DOESN'T INSERT AND LOCK IN THE LATCH SMOOTHLY, OPEN WIDE BOTH LATCHES BY MANUAL. AND THE MODULE MUST BE INSERTED AND LOCKED IN THE LATCH.



GENERAL TOLERANCE  
 10 ≥ : ±0.2  
 30 ≥ > 10 : ±0.25  
 100 ≥ > 30 : ±0.3  
 ANGLES : ±3°

TYPE 1	△	AVAILABLE	—H—	2.5V (DDR1)	18.45	1.5	1.8	200	1473005-5
TYPE 2	△	AVAILABLE	BOSSLESS	1.8V (DDR2)	17.55	2.4	2.7	200	1-1473005-4
TYPE 2	△	AVAILABLE	—H—	1.8V (DDR2)	17.55	2.4	2.7	200	1473005-4
TYPE 1	△	AVAILABLE	HOUSING COLOR:GRAY BOSSLESS	2.5V (DDR1)	18.45	1.5	1.8	200	6-1473005-1
TYPE 1	△	AVAILABLE	BOSSLESS	2.5V (DDR1)	18.45	1.5	1.8	200	1-1473005-1
TYPE 1	△	AVAILABLE	—H—	2.5V (DDR1)	18.45	1.5	1.8	200	1473005-1
TAB TYPE	FINISH	TOOLING STATUS	REMARK	POWER SUPPLY (TYPE)	D5	D4	D3	POS	PART NO.

THIS DRAWING IS A CONTROLLED DOCUMENT.

DWN	B.WONG	15JUL10
CHK	C.WANG	15JUL10
APVD	S.YAO	15JUL10

**STE** TE Connectivity

DDR1 & DDR2 SODIMM SOCKET  
 0.6mm PITCH 200POS  
 STANDARD PROFILE STANDARD TYPE

PRODUCT SPEC	108-5701
APPLICATION SPEC	
WEIGHT	4.7g

SIZE	A3	CAGE CODE	00779	DRAWING NO	C-1473005	RESTRICTED TO	
------	----	-----------	-------	------------	-----------	---------------	--

CUSTOMER DRAWING SCALE 2:1 SHEET 1 OF 4 REV J2

THIS DRAWING IS UNPUBLISHED. RELEASED FOR PUBLICATION NOV. 2001.  
 © COPYRIGHT 2001 By - ALL RIGHTS RESERVED.

LOC	DIST	REVISIONS					
J		P	LTR	DESCRIPTION	DATE	DWN	APVD
		-		SEE SHEET 1	-	-	-

### REFERENCE P.C. BOARD PATTERN LAYOUT (CONNECTOR MOUNTING SIDE)

D

D

C

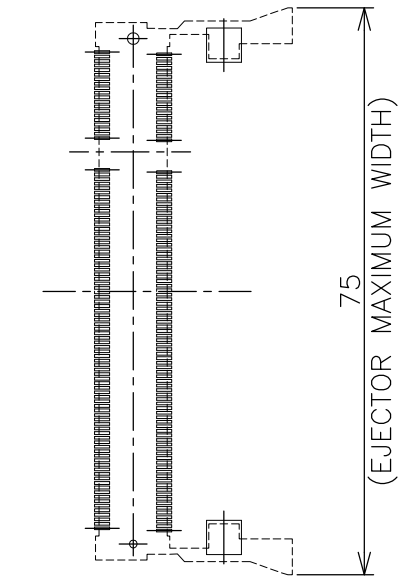
C

B

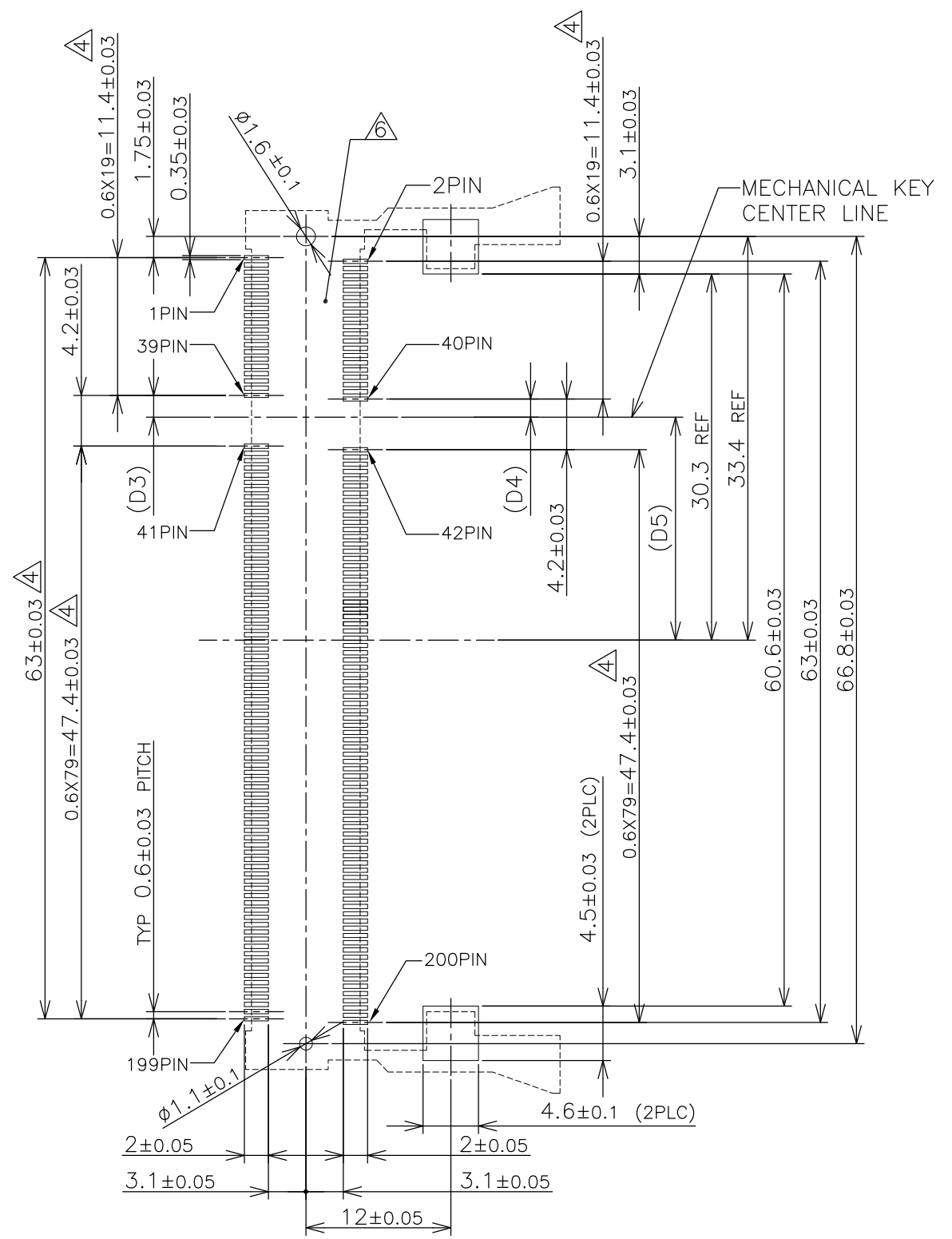
B

A

A



REAL SIZE (SCALE 1:1)

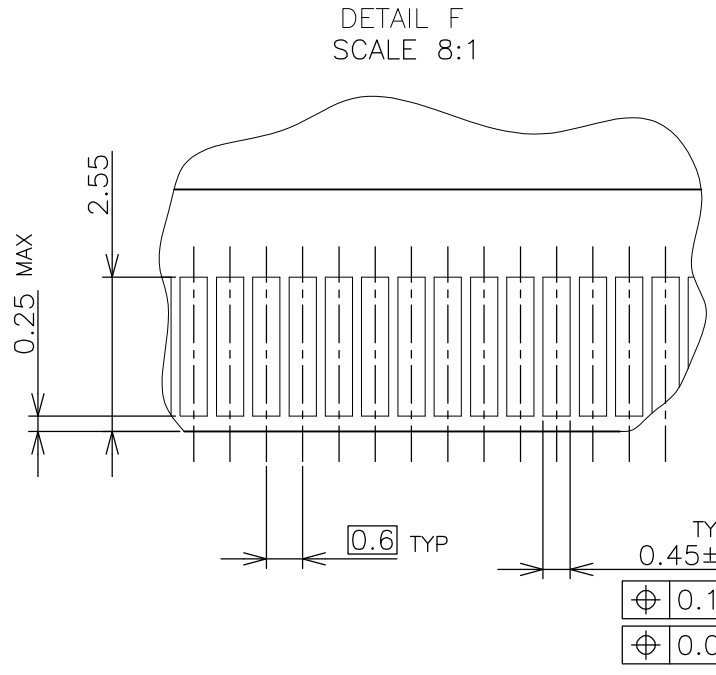
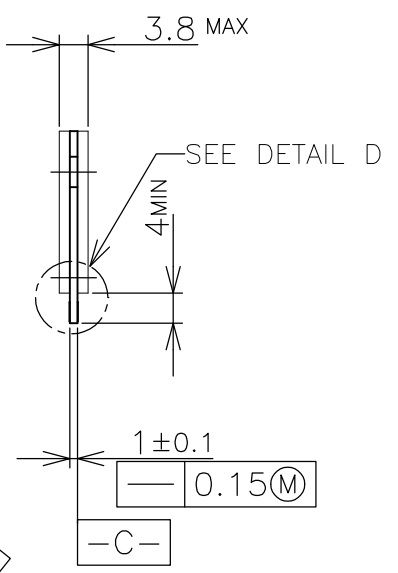
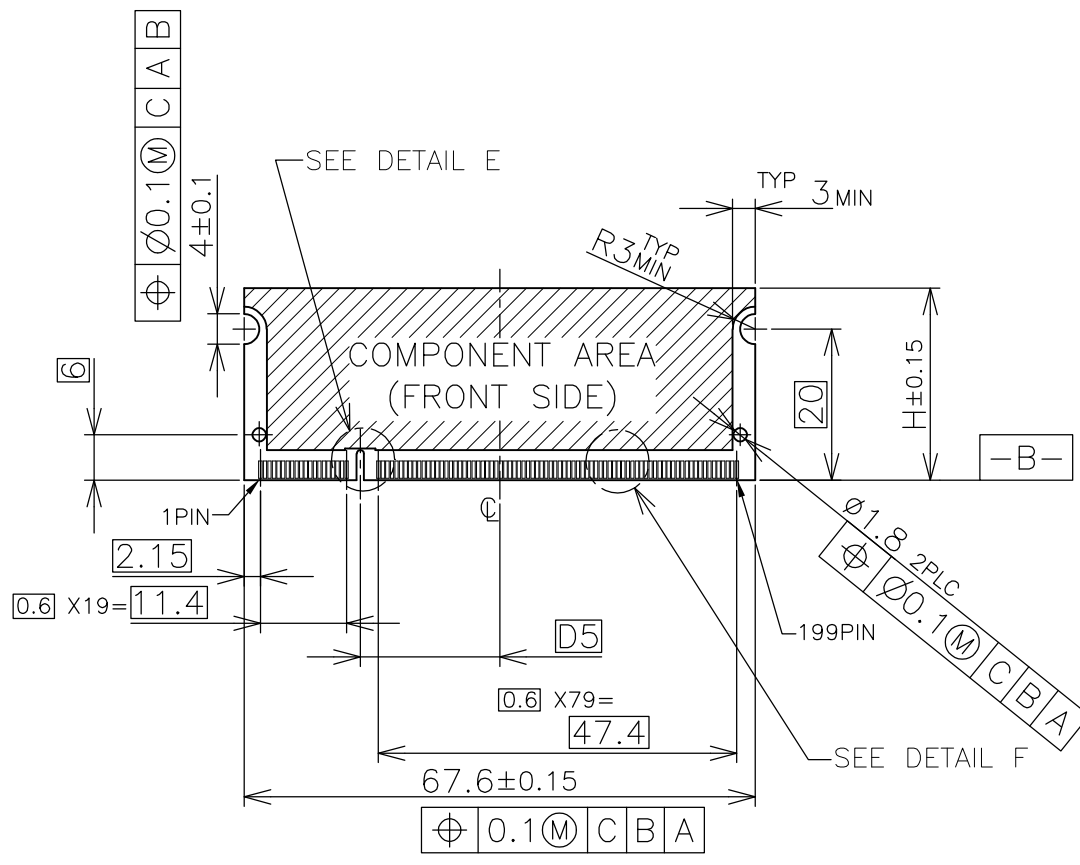


1.8V	17.55	2.4	2.7
2.5V	18.45	1.5	1.8
POWER SUPPLY	D5	D4	D3

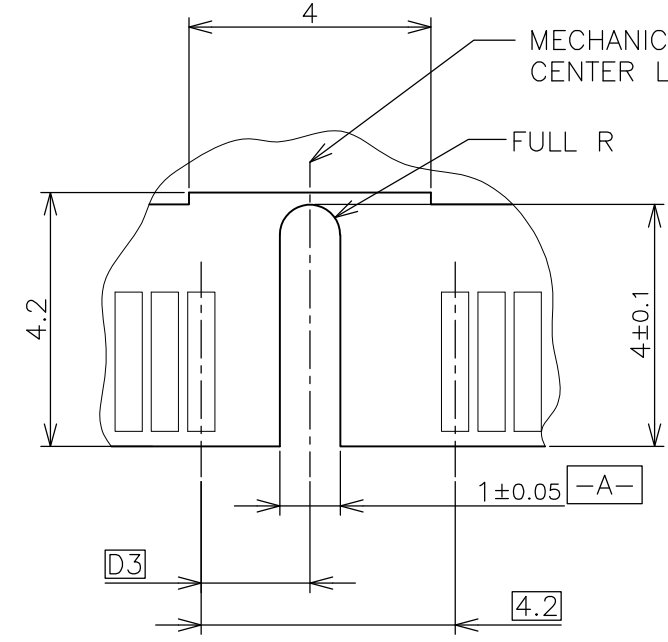
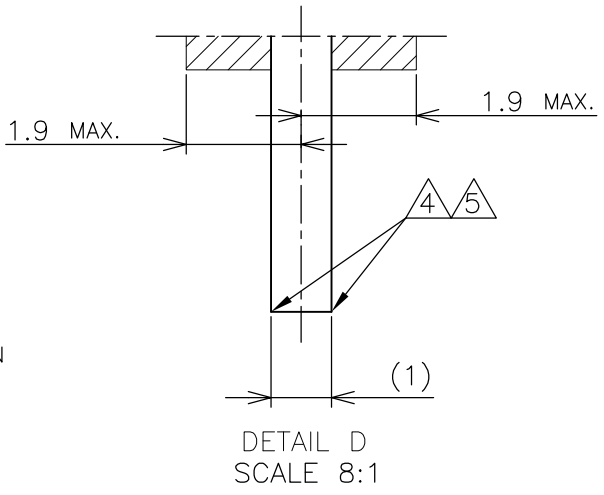
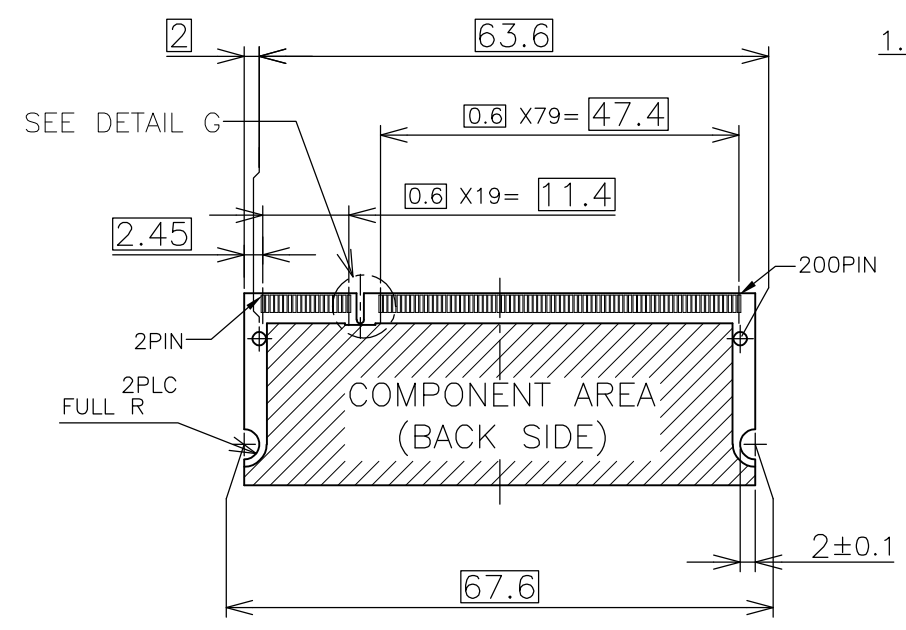
THIS DRAWING IS A CONTROLLED DOCUMENT.		DWN		TE Connectivity NAME DDR1 & DDR2 SODIMM SOCKET 0.6mm PITCH 200POS STANDARD PROFILE STANDARD TYPE	
DIMENSIONS: MM		CHK			
TOLERANCES UNLESS OTHERWISE SPECIFIED:		APVD			
0 PLC ± 1 PLC ± 2 PLC ± 3 PLC ± 4 PLC ± ANGLES ± FINISH ±		PRODUCT SPEC			
MATERIAL		WEIGHT		SIZE	
		CUSTOMER DRAWING		A300779	
		SCALE 2:1		DRAWING NO C-1473005	
		SHEET 2 OF 4		RESTRICTED TO	
		REV J2			

THIS DRAWING IS UNPUBLISHED. RELEASED FOR PUBLICATION NOV ,2001.  
 © COPYRIGHT 2001 By - ALL RIGHTS RESERVED.

LOC	DIST	REVISIONS			
P	LTR	DESCRIPTION	DATE	DWN	APVD
J		SEE SHEET 1	-	-	-



- (APPLIED TO SHEET 3)
1. TOLERANCES ON ALL DIMENSIONS ±0.15 UNLESS OTHERWISE SPECIFIED.
  2. P.C. BOARD THICKNESS APPLIES ACROSS TABS AND INCLUDES PLATING AND/OR METALIZATION.
  3. FINISH OF PAD : GOLD PLATING 0.00076 MIN. OVER Ni PLATING 0.002MIN.
- ▲ NO BURR  
 ▲ CHAMFER 0.25 MAX x 45° IF EXIST.



DETAIL E SCALE 8:1 (FRONT SIDE)

DETAIL G SCALE 8:1 (BACK SIDE)

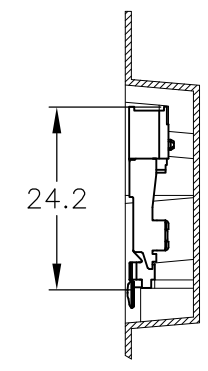
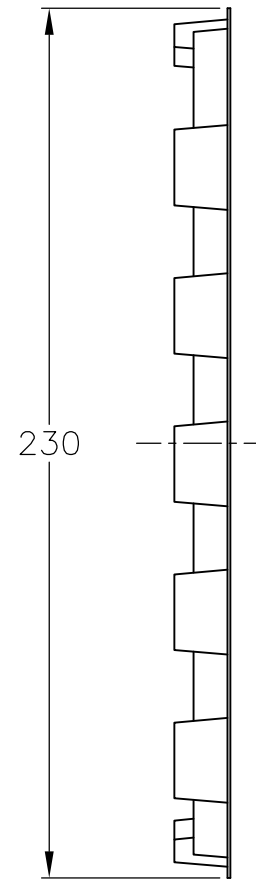
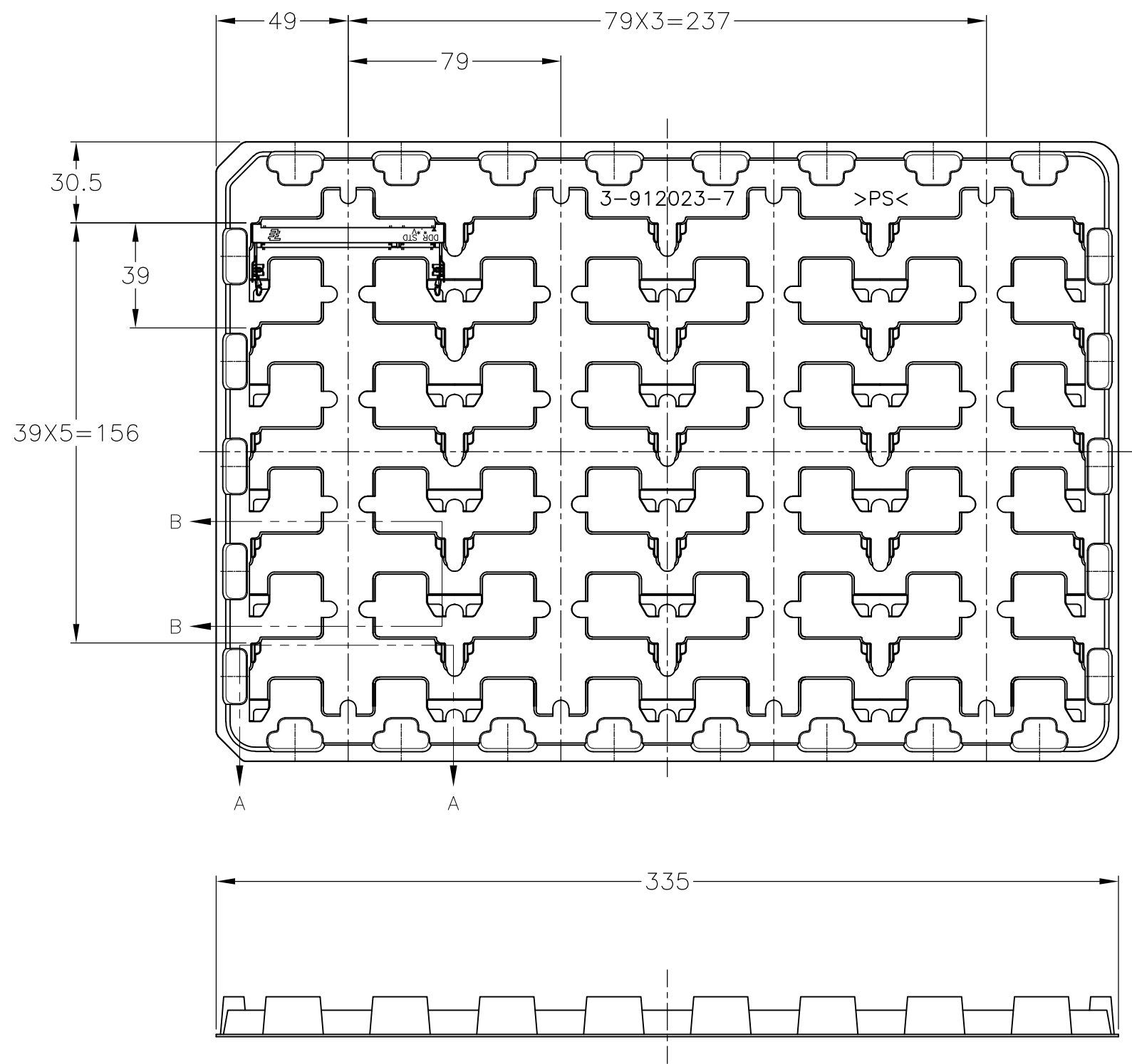
RECOMMENDED MATING P.C.B CONFIGURATION

31.75	1.8V	17.55	2.4	2.7
25.4	2.5V	18.45	1.5	1.8
H	POWER SUPPLY	D5	D4	D3

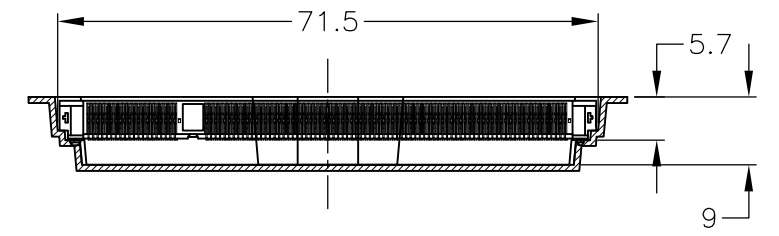
THIS DRAWING IS A CONTROLLED DOCUMENT.		DWN	TE Connectivity DDR1 & DDR2 SODIMM SOCKET 0.6mm PITCH 200POS STANDARD PROFILE STANDARD TYPE		
DIMENSIONS: MM		CHK			
TOLERANCES UNLESS OTHERWISE SPECIFIED:		APVD			
0 PLC ± 1 PLC ± 2 PLC ± 3 PLC ± 4 PLC ± ANGLES ± MATERIAL FINISH		PRODUCT SPEC			
MATERIAL		APVD	NAME	SIZE	CAGE CODE
		APVD	NAME	DRAWING NO	RESTRICTED TO
		APVD	NAME	A300779	C-1473005
		APVD	NAME	CUSTOMER DRAWING	SCALE 2:1
		APVD	NAME	SCALE 2:1	SHEET 3 OF 4
		APVD	NAME	SCALE 2:1	REV J2

THIS DRAWING IS UNPUBLISHED. RELEASED FOR PUBLICATION NOV , 2001.  
 © COPYRIGHT 2001 By - ALL RIGHTS RESERVED.

LOC	DIST	REVISIONS			
P	LTR	DESCRIPTION	DATE	DWN	APVD
J		SEE SHEET 1	-	-	-



B-B  
SCALE 2:1



A-A  
SCALE 2:1  
(180DEG. ROTATE)

2.5V (DDR1)	20EA/TRAY	1473005-5
1.8V (DDR2)	20EA/TRAY	1-1473005-4
1.8V (DDR2)	20EA/TRAY	1473005-4
2.5V (DDR1)	20EA/TRAY	6-1473005-1
2.5V (DDR1)	20EA/TRAY	1-1473005-1
2.5V (DDR1)	20EA/TRAY	1473005-1
POWER SUPPLY (TYPE)	QTY	P/N

(APPLIED TO SHEET 4)  
 1. THE DIRECTION OF EACH CONNECTOR ON A TRAY IS REFERRED TO THIS DRAWING.  
 2. GENERAL TOLERANCE: ±0.5

THIS DRAWING IS A CONTROLLED DOCUMENT.		DWN		TE Connectivity NAME DDR1 & DDR2 SODIMM SOCKET 0.6mm PITCH 200POS STANDARD PROFILE STANDARD TYPE	
DIMENSIONS: MM		CHK			
TOLERANCES UNLESS OTHERWISE SPECIFIED:		APVD			
0 PLC ± 1 PLC ± 2 PLC ± 3 PLC ± 4 PLC ± ANGLES ± FINISH ±		PRODUCT SPEC			
MATERIAL		WEIGHT		SIZE	
		CUSTOMER DRAWING		A300779	
				C-1473005	
				DRAWING NO	
				RESTRICTED TO	
				SCALE 1:2	
				SHEET 4 OF 4	
				REV J2	