



Chipsmall Limited consists of a professional team with an average of over 10 year of expertise in the distribution of electronic components. Based in Hongkong, we have already established firm and mutual-benefit business relationships with customers from,Europe,America and south Asia,supplying obsolete and hard-to-find components to meet their specific needs.

With the principle of “Quality Parts,Customers Priority,Honest Operation,and Considerate Service”,our business mainly focus on the distribution of electronic components. Line cards we deal with include Microchip,ALPS,ROHM,Xilinx,Pulse,ON,Everlight and Freescale. Main products comprise IC,Modules,Potentiometer,IC Socket,Relay,Connector.Our parts cover such applications as commercial,industrial, and automotives areas.

We are looking forward to setting up business relationship with you and hope to provide you with the best service and solution. Let us make a better world for our industry!



## Contact us

Tel: +86-755-8981 8866 Fax: +86-755-8427 6832

Email & Skype: info@chipsmall.com Web: www.chipsmall.com

Address: A1208, Overseas Decoration Building, #122 Zhenhua RD., Futian, Shenzhen, China



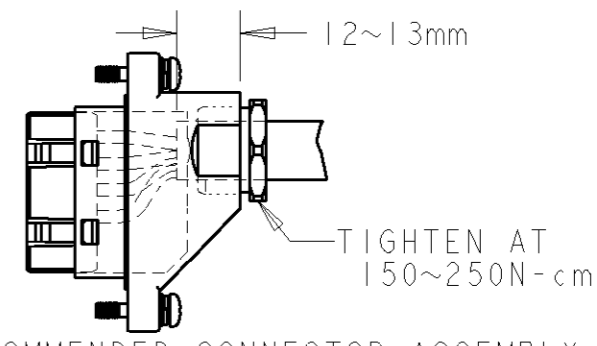
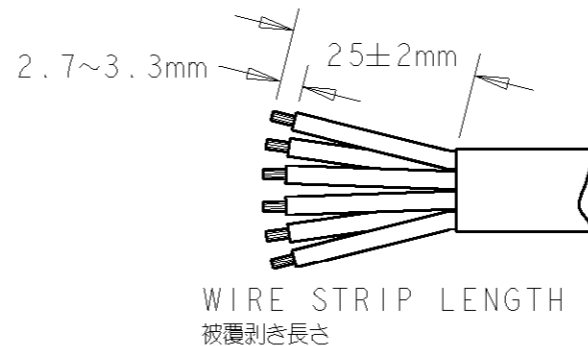
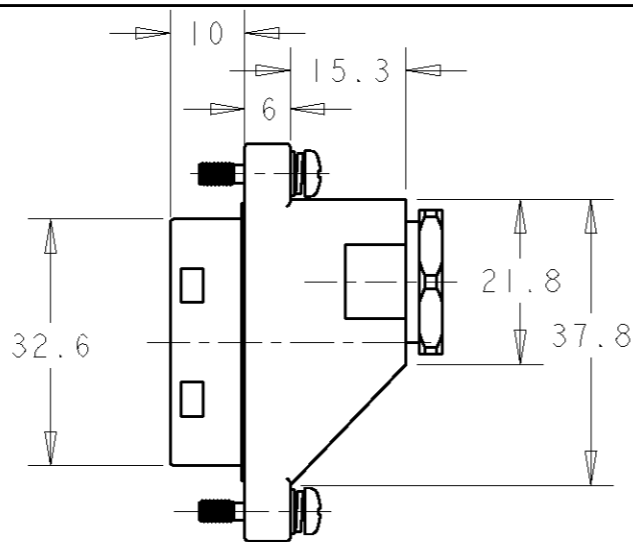
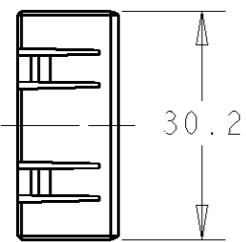
THIS DRAWING IS UNPUBLISHED.

RELEASED FOR PUBLICATION

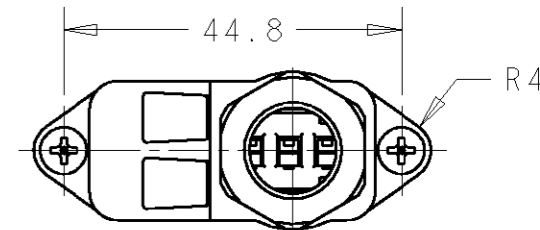
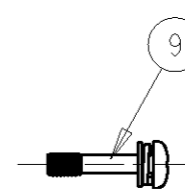
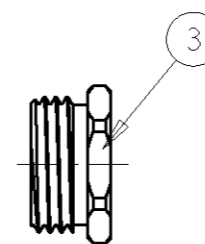
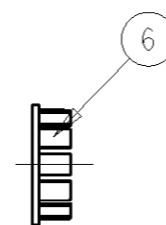
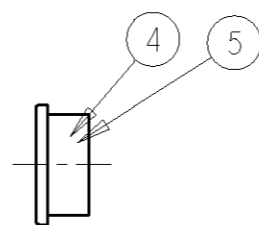
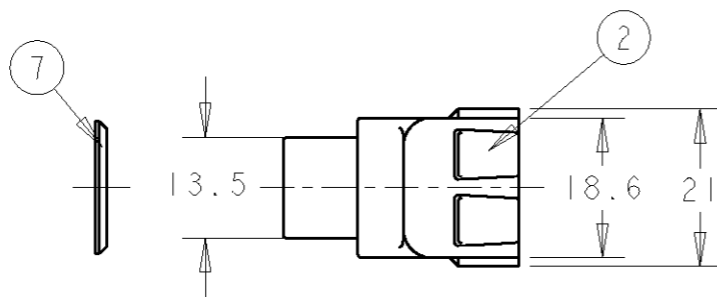
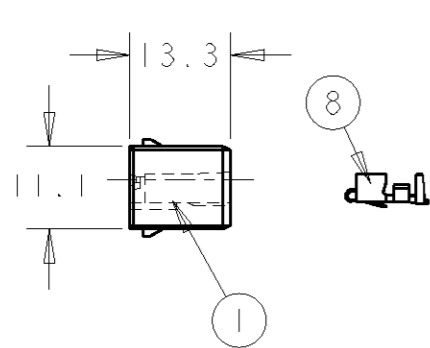
© COPYRIGHT

ALL RIGHTS RESERVED.

LOC	DIST	REVISIONS			
P	LTR	DESCRIPTION	DATE	DWN	APVD
J	-	P REVISED PER ECO-11-005294	20APR11	RK	HMR



RECOMMENDED CONNECTOR ASSEMBLY LAYOUT  
推奨アッセンブリ位置



2	2	STEEL, Ni PL 鋼、ニッケルめっき	M3 SCREW M3スクリュー	9
6	//	COPPER ALLOY 銅合金	REC. CONTACT リセクタブル・コンタクト	8
1	1	NBR ニトリルゴム	CASE PACKING ケース・パッキン	7
1	1	POLYACETAL RESIN ポリアセタール樹脂	WIRE CLAMP ワイヤー・クランプ	6
1	1	NBR(BLUE) ニトリルゴム(青)	WIRE RUBBER PACKING ワイヤー・ラバー・パッキン	5
1	1	NBR(BLACK) ニトリルゴム(黒)	WIRE RUBBER PACKING ワイヤー・ラバー・パッキン	4
1	1	BRASS, Ni PL 黄銅、ニッケルめっき	WIRE FIXED SET SCREW ワイヤー・フィクスト・セット・スクリュー	3
1	1	POLYESTER RESIN/BRASS ポリエステル樹脂/黄銅	REC. CASE リセクタブル・ケース	2
1	1	POLYESTER RESIN ポリエステル樹脂	INNER REC. HSG. インナー・リセクタブル・ハウジング	1
-2	-1	MATERIAL FINISH 材質 仕上げ	NAME 名称	ITEM NO

DIMENSIONS: mm 		TOLERANCES UNLESS OTHERWISE SPECIFIED: 0 PLC ± 1 PLC ± 2 PLC ±0.3 3 PLC ± 4 PLC ± ANGLES ±		DWN T. SAMI 10APR2001 CHR S. MANABE 10APR2001 APVD S. MANABE 10APR2001 PRODUCT SPEC 108-5743 APPLICATION SPEC 114-5303 WEIGHT -			
MATERIAL -		FINISH -		CUSTOMER DRAWING		NAME REC. KIT NEW MOTOR CONN. リセクタブル・キット、ニュー・モータ・コネクタ	
				SIZE A3 CAGE CODE 00779 DRAWING NO 1473063		RESTRICTED TO -	
				SCALE		SHEET OF REV P	