



Chipsmall Limited consists of a professional team with an average of over 10 year of expertise in the distribution of electronic components. Based in Hongkong, we have already established firm and mutual-benefit business relationships with customers from,Europe,America and south Asia,supplying obsolete and hard-to-find components to meet their specific needs.

With the principle of “Quality Parts,Customers Priority,Honest Operation,and Considerate Service”,our business mainly focus on the distribution of electronic components. Line cards we deal with include Microchip,ALPS,ROHM,Xilinx,Pulse,ON,Everlight and Freescale. Main products comprise IC,Modules,Potentiometer,IC Socket,Relay,Connector.Our parts cover such applications as commercial,industrial, and automotives areas.

We are looking forward to setting up business relationship with you and hope to provide you with the best service and solution. Let us make a better world for our industry!



Contact us

Tel: +86-755-8981 8866 Fax: +86-755-8427 6832

Email & Skype: info@chipsmall.com Web: www.chipsmall.com

Address: A1208, Overseas Decoration Building, #122 Zhenhua RD., Futian, Shenzhen, China

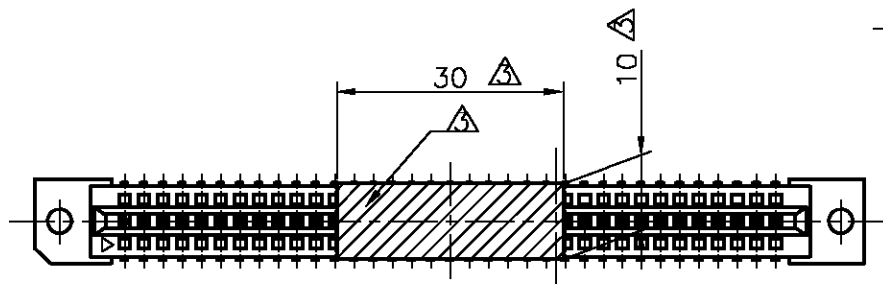


THIS DRAWING IS UNPUBLISHED. RELEASED FOR PUBLICATION

© COPYRIGHT BY TYCO ELECTRONICS CORPORATION. ALL RIGHTS RESERVED.

LOC	DIST	REVISIONS					
		P	LTR	DESCRIPTION	DATE	DWN	APVD
J	-			RELEASED(FJ00-1962-00)	20DEC00	H.T	I.E

-1 ; AS SHOWN

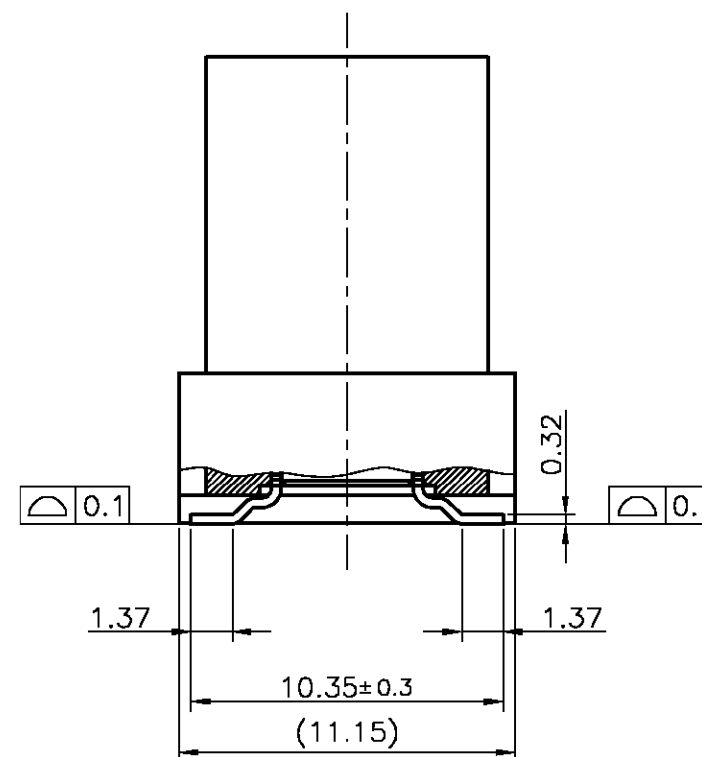
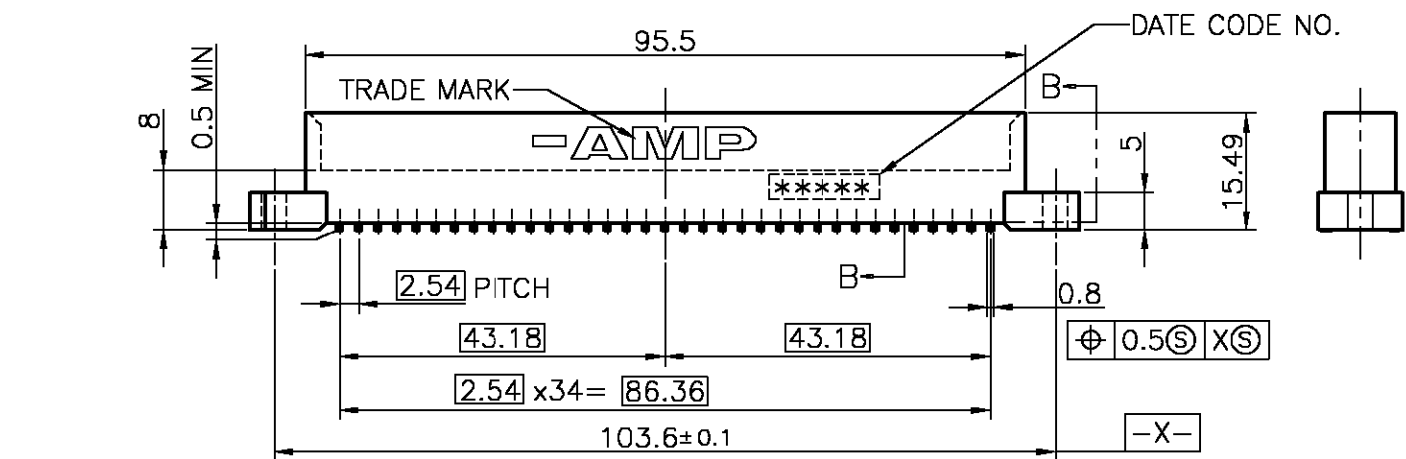
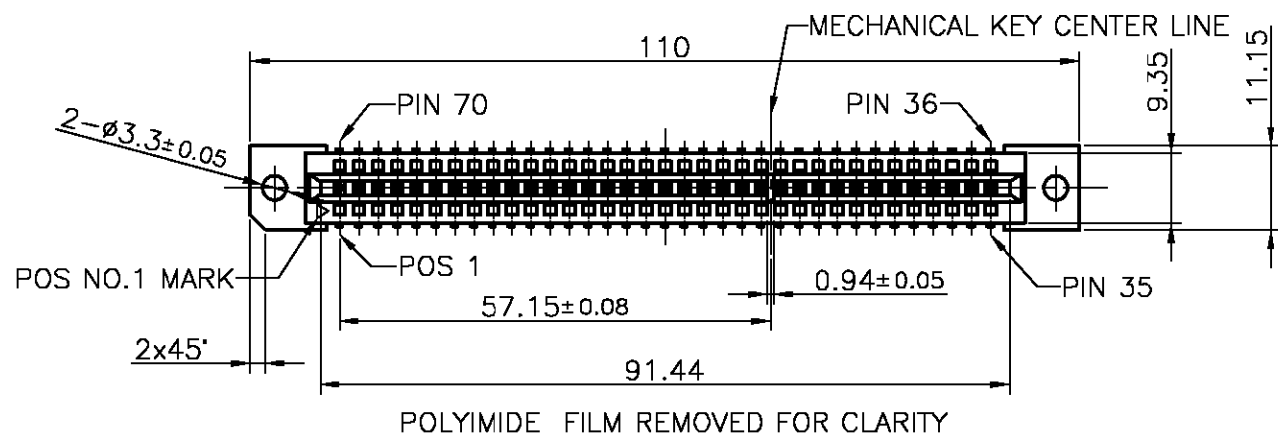


NOTES

- 1. MATERIAL ; HOUSING:HIGH TEMPERATURE THERMO PLASTIC UL94V-0. CONTACT:COPPER ARROY.
- 2. FINISH ; CONTACT AREA : GOLD PLATE OVER Ni PLATE. SOLDERING AREA : GOLD PLATE OVER Ni PLATE.
- 3. POLYIMIDE FILM (ADHESIVE TAPE) ; THK 0.08.

注記

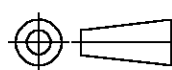
- 1. 材料 ;ハウジング:耐熱性熱可塑性樹脂 UL94V-0
コンタクト:銅合金
- 2. めっき仕様;接触部:ニッケル下地
金めっき
半田付部:ニッケル下地
金めっき
- 3. ポリイミドフィルム(粘着テープ);厚さ 0.08



SECT B-B (SCALE 4-1)

THIS DRAWING IS A CONTROLLED DOCUMENT.

DIMENSIONS: MM



TOLERANCES UNLESS OTHERWISE SPECIFIED:

- 0 PLC ± -
- 1 PLC ± -
- 2 PLC ± -
- 3 PLC ± -
- 4 PLC ± -
- ANGLES ± -

MATERIAL



FINISH

DWN H.TAGUCHI 14DEC00
 CHK K.ASAKAWA 20DEC00
 APVD I.ENOMOTO 20DEC00
 PRODUCT SPEC 108-5773
 APPLICATION SPEC

WEIGHT

-

AMP Tyco Electronics Corporation
 Kawasaki, Japan

NAME
 CARD EDGE 35 DUAL POS. SMT

SIZE A3 CAGE CODE 00779 DRAWING NO. C-1473151 RESTRICTED TO

GENERAL TOERLANCE

- 10 ≥ ; ±0.2
- 30 ≥ >10 ; ±0.25
- >30 ; ±0.3
- ANGLE ; ±3°

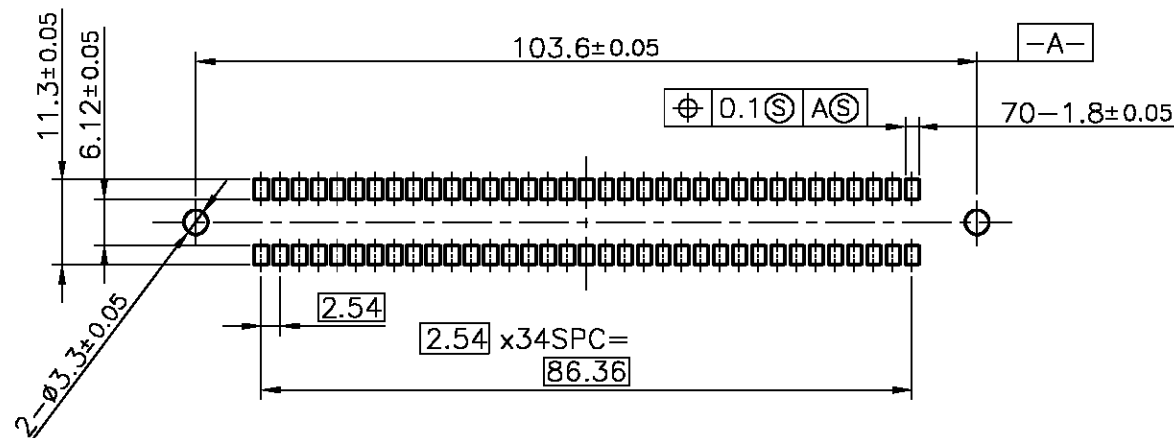
CUSTOMER DRAWING

SCALE 1-1 SHEET 1 OF 2 REV 0

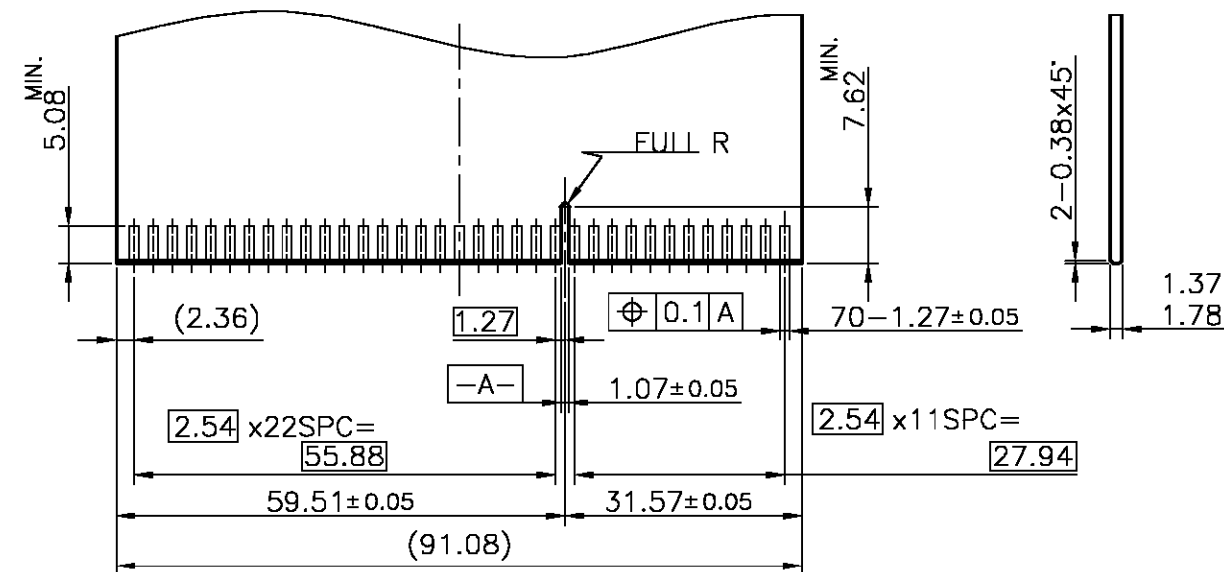
THIS DRAWING IS UNPUBLISHED. RELEASED FOR PUBLICATION

© COPYRIGHT BY TYCO ELECTRONICS CORPORATION. ALL RIGHTS RESERVED.

LOC	DIST	REVISIONS			
P	LTR	DESCRIPTION	DATE	DWN	APVD
J	-				



RECOMMENDED P.C.BOARD PATTERN LAYOUT (CONNECTOR MOUNTING SIDE)



RECOMMENDED MATING BOARD EDGE CONFIGURATION

GENERAL TOLERANCE

10 ≥	±0.2
30 ≥	>10 ; ±0.25
	>30 ; ±0.3
	ANGLE ; ±3°

THIS DRAWING IS A CONTROLLED DOCUMENT.		DWN		Tyco Electronics Corporation	
DIMENSIONS: MM		CHK		Kawasaki, Japan	
TOLERANCES UNLESS OTHERWISE SPECIFIED:		APVD		NAME	
0 PLC ± -		PRODUCT SPEC		CARD EDGE 35 DUAL POS. SMT	
1 PLC ± -		APPLICATION SPEC		SIZE CAGE CODE DRAWING NO RESTRICTED TO	
2 PLC ± -		WEIGHT		A3 00779 C-1473151	
3 PLC ± -		CUSTOMER DRAWING		SCALE 1-1 SHEET 2 OF 2 REV 0	
4 PLC ± -					
ANGLES ± -					
MATERIAL		FINISH			