



Chipsmall Limited consists of a professional team with an average of over 10 year of expertise in the distribution of electronic components. Based in Hongkong, we have already established firm and mutual-benefit business relationships with customers from,Europe,America and south Asia,supplying obsolete and hard-to-find components to meet their specific needs.

With the principle of “Quality Parts,Customers Priority,Honest Operation,and Considerate Service”,our business mainly focus on the distribution of electronic components. Line cards we deal with include Microchip,ALPS,ROHM,Xilinx,Pulse,ON,Everlight and Freescale. Main products comprise IC,Modules,Potentiometer,IC Socket,Relay,Connector.Our parts cover such applications as commercial,industrial, and automotives areas.

We are looking forward to setting up business relationship with you and hope to provide you with the best service and solution. Let us make a better world for our industry!



Contact us

Tel: +86-755-8981 8866 Fax: +86-755-8427 6832

Email & Skype: info@chipsmall.com Web: www.chipsmall.com

Address: A1208, Overseas Decoration Building, #122 Zhenhua RD., Futian, Shenzhen, China



THIS DRAWING IS UNPUBLISHED. RELEASED FOR PUBLICATION 20
 © COPYRIGHT 20 BY TYCO ELECTRONICS CORPORATION. ALL RIGHTS RESERVED.

LOC	REV	DESCRIPTION	DATE	DWN	APVD
J	X				
P	LTR				
		REVISD	ECR-09-002844	03JUL09	RN SK

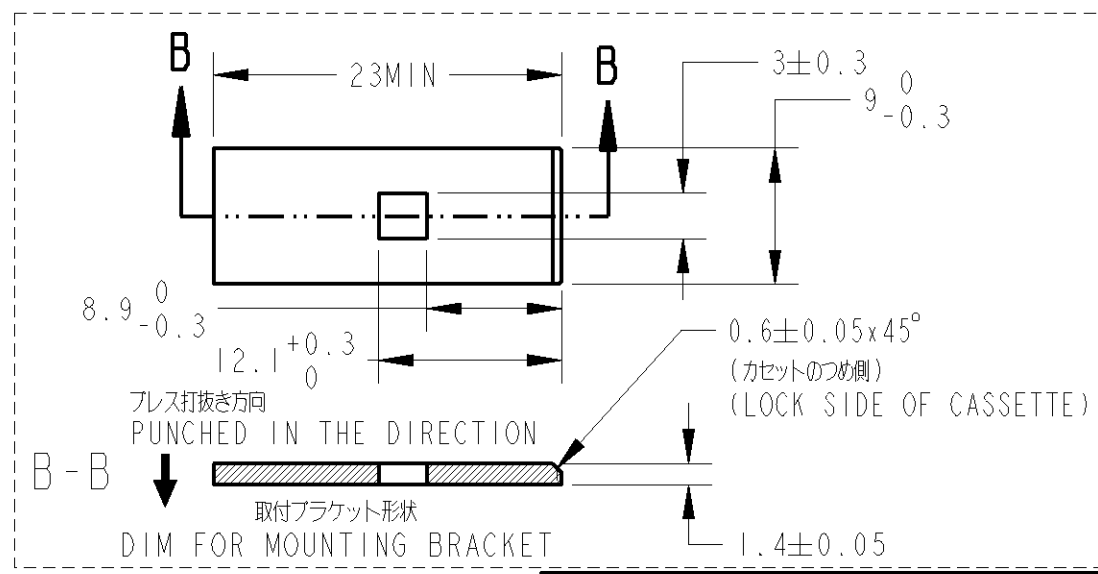
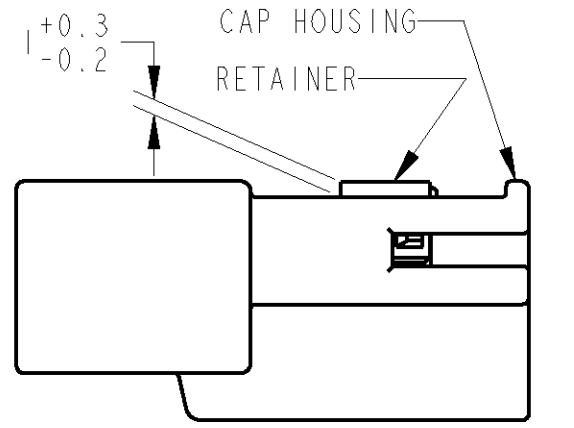
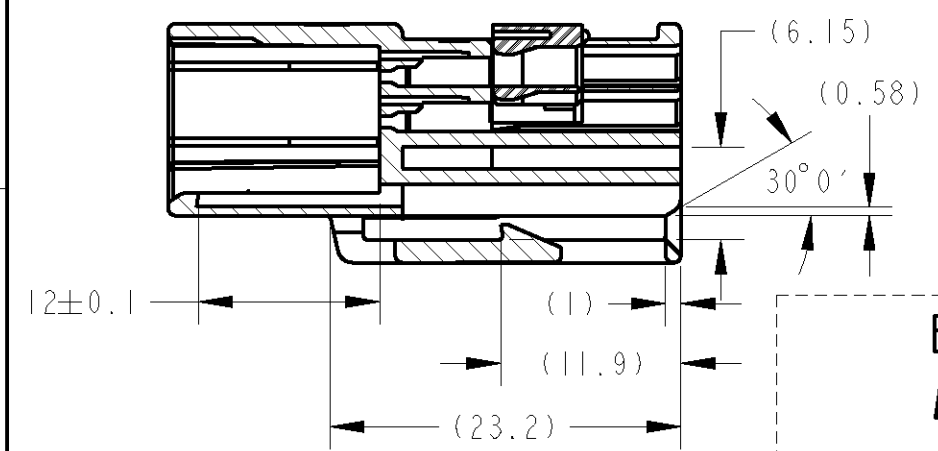
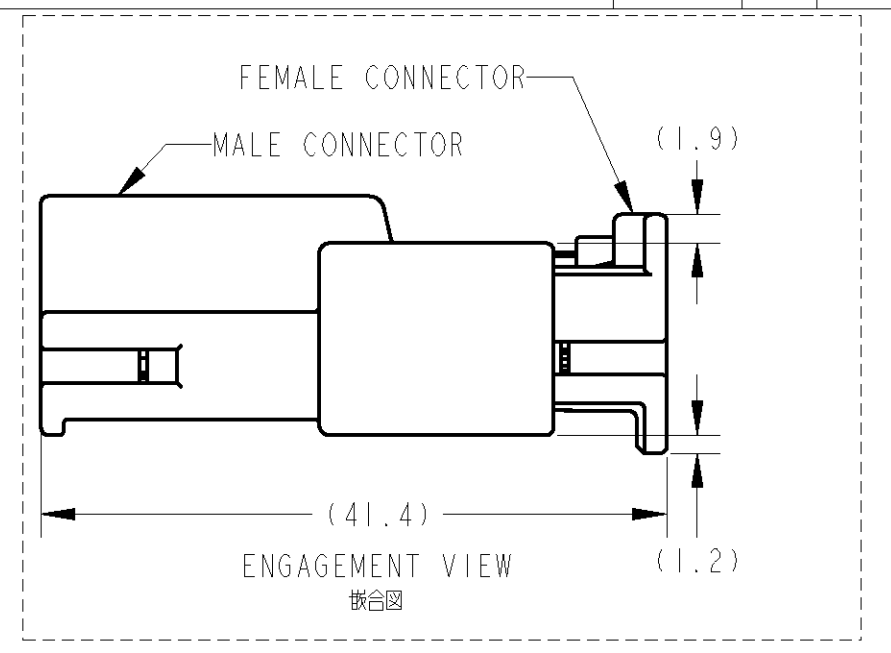
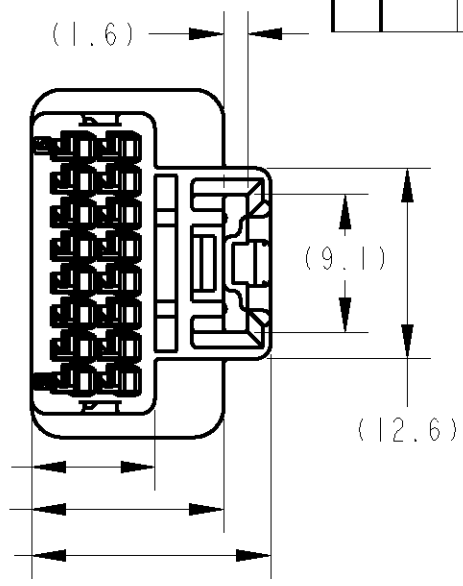
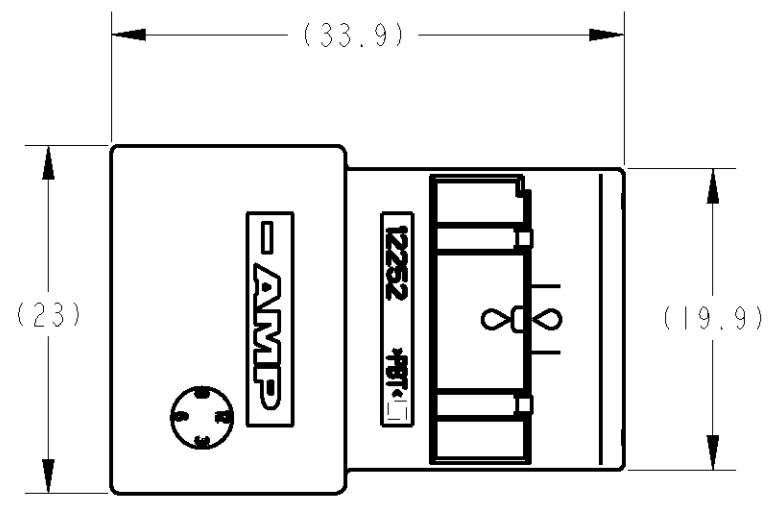
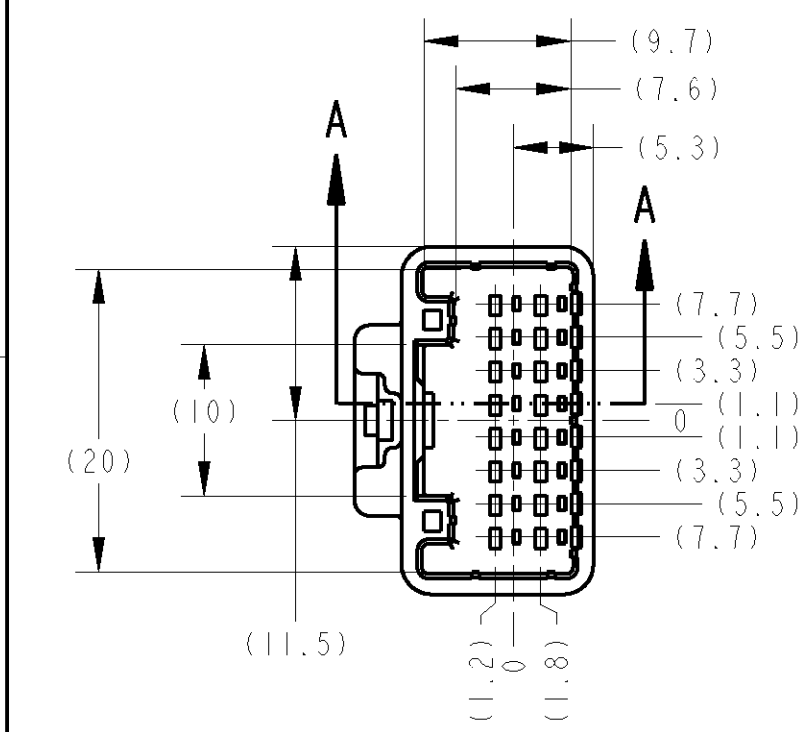


TABLE-1

POS 極数	FEMALE CONNECTOR PART NO メスコネクタ 型番
16	1318386

TABLE-2

		TERMINAL NO 適用型番	APPLICABLE WIRE RANGE 適用電線
SIGNAL 025	TIN	1376109-1	CAVS 0.3~0.5mm ² AVSS/CAVUS/AVSSH-f 0.3~0.5mm ²
PAPER BOX ダンボール	PLASTIC BAG ビニール袋	NATURAL	1473203-1
OUTER 外装	INNER 内装	COLOR	PART NUMBER
PACKING STYLE 梱包形態			

1. プラグハウジングにダブルロックプレートを仮係止して出荷される。
2. 仮係止時プレート突起がハウジングの外側に出ていること。
3. 嵌合相手型番はTABLE-1参照
4. 適用端子はTABLE-2参照
5. 取扱説明書 ; 411-5966

1. PLATE SHOULD BE SET TO THE PRE-ASSEMBLY POSITION WITHIN THE PLUG HOUSING WHEN SHIPPED TO THE CUSTOMER.
2. THE RETENTION LATCH OF THE PLATE MUST BE OUT SIDE OF PLUG HOUSING WHEN PRE-ASSEMBLY.
3. PART NUMBER OF CAP HOUSING TO BE MATED;SEE TABLE-1
4. APPLIED TERMINAL;SEE TABLE-2
5. INSTRUCTION SHEET NO ; 411-5966

THIS DRAWING IS A CONTROLLED DOCUMENT FOR TYCO ELECTRONICS CORPORATION IT IS SUBJECT TO CHANGE AND THE CONTROLLING ENGINEERING ORGANIZATION SHOULD BE CONTACTED FOR THE LATEST REVISION.

DWN Y. NOGUCHI 24JAN2001	CHK T. KOHNO 24JAN2001	APVD N. SAI 24JAN2001	Tyco Electronics Tyco Electronics AMP K.K. Kawasaki, Japan	
PRODUCT SPEC 製品規格 108-5668			NAME 名称 025 W-W 16POS OPPOSITE LOCK ENGAGED VIEW	
APPLICATION SPEC 取付適用規格 114-5291			SIZE A3	CAGE CODE 00779
MATERIAL 材料 PBT			DRAWING NO 番号 C=1473203	RESTRICTED TO -
FINISH 仕上 SEE TABLE			WEIGHT 5.5 g	SCALE 尺度 2.1
DIMENSIONS: 単位: 概 mm			SHEET OF 1	
TOLERANCES UNLESS OTHERWISE SPECIFIED: 一般公差 : ±0.3			REV D	
0 PLC ±				
1 PLC ±0.5				
2 PLC ±0.13				
3 PLC ±0.013				
4 PLC ±0.001				
ANGLES ±3'00"				

CUSTOMER DRAWING