



Chipsmall Limited consists of a professional team with an average of over 10 year of expertise in the distribution of electronic components. Based in Hongkong, we have already established firm and mutual-benefit business relationships with customers from,Europe,America and south Asia,supplying obsolete and hard-to-find components to meet their specific needs.

With the principle of “Quality Parts,Customers Priority,Honest Operation,and Considerate Service”,our business mainly focus on the distribution of electronic components. Line cards we deal with include Microchip,ALPS,ROHM,Xilinx,Pulse,ON,Everlight and Freescale. Main products comprise IC,Modules,Potentiometer,IC Socket,Relay,Connector.Our parts cover such applications as commercial,industrial, and automotives areas.

We are looking forward to setting up business relationship with you and hope to provide you with the best service and solution. Let us make a better world for our industry!



Contact us

Tel: +86-755-8981 8866 Fax: +86-755-8427 6832

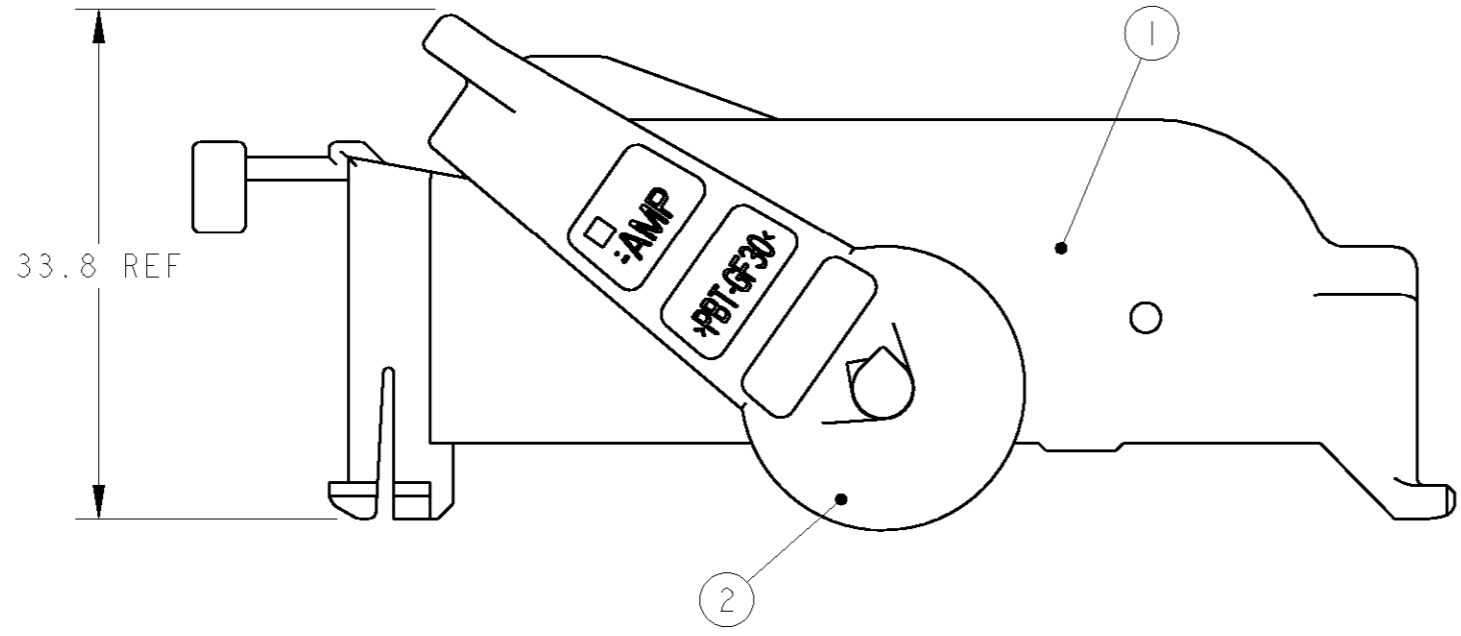
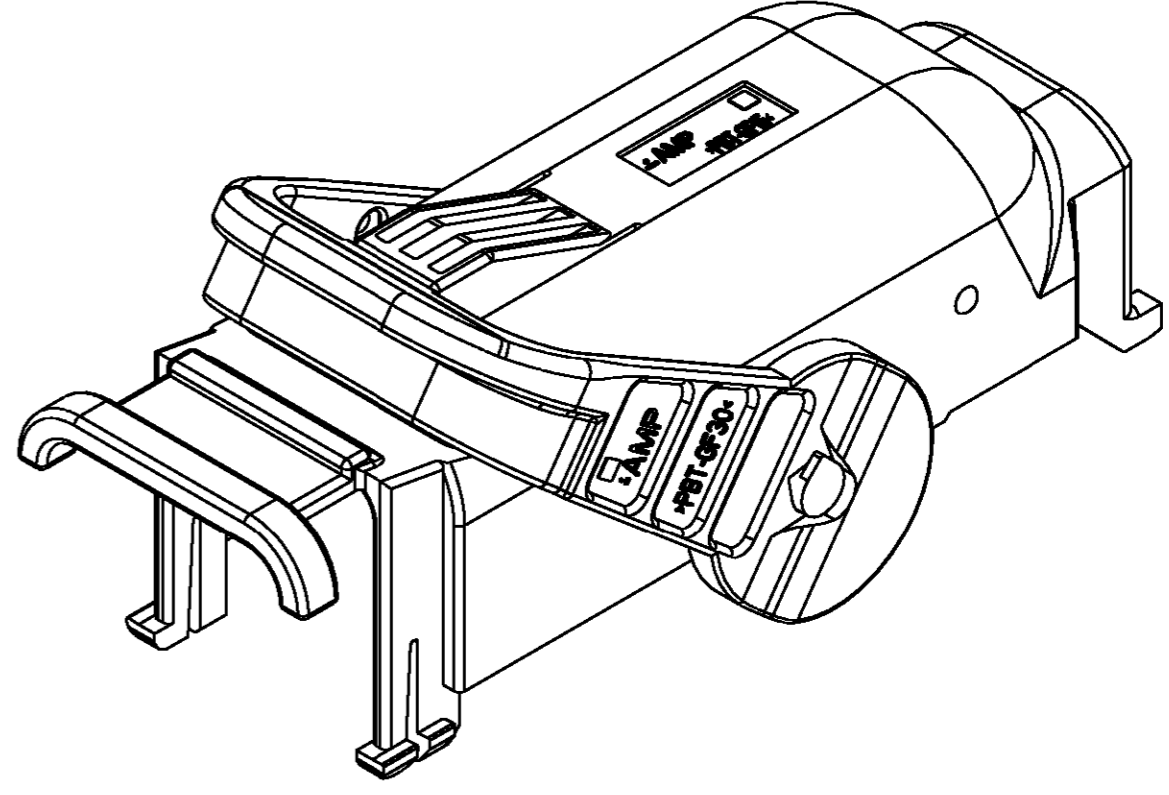
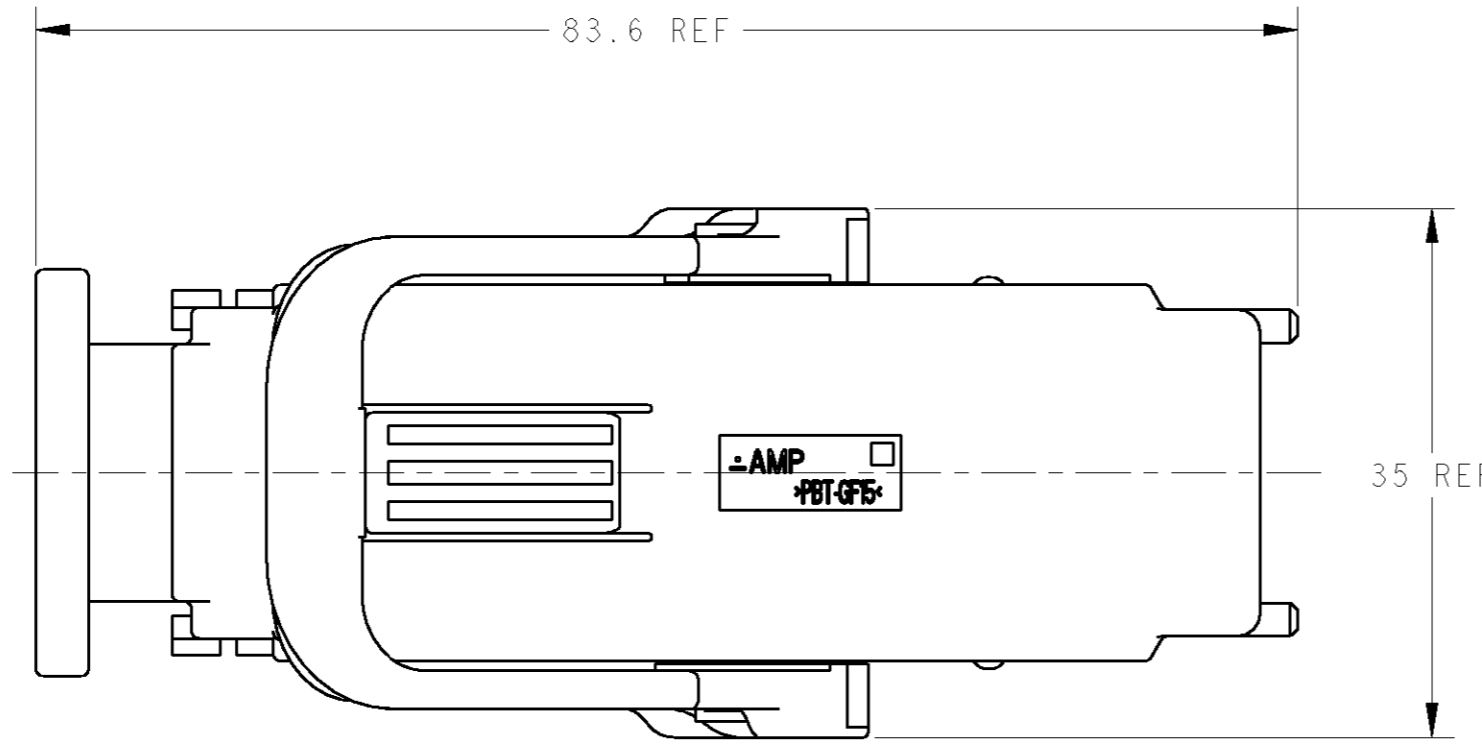
Email & Skype: info@chipsmall.com Web: www.chipsmall.com

Address: A1208, Overseas Decoration Building, #122 Zhenhua RD., Futian, Shenzhen, China



THIS DRAWING IS UNPUBLISHED. RELEASED FOR PUBLICATION 20
 © COPYRIGHT 20 BY TYCO ELECTRONICS CORPORATION. ALL RIGHTS RESERVED.

REVISONS					
REV	DATE	DESCRIPTION	ECN	DWN	APVD
0		RELEASED	FJ00-2386-01	Y.K	N.S



1. PART NUMBER OF PLUG HOUSING ASSEMBLY TO BE APPLIED ; P/N 1473244-1
 2. INSTRUCTION SHEET NO ; 411-78008
 1. 適用プラグハウジングアセンブリ型番は、P/N 1473244-1
 2. 取扱説明書 NO ; 411-78008

1	1473249-1	LEVER	BLACK	2
1	1473248-1	HARNESS COVER	BLACK	1
-1	PART NO	PART NAME	FINISH/COLOR	NO

THIS DRAWING IS A CONTROLLED DOCUMENT FOR TYCO ELECTRONICS CORPORATION IT IS SUBJECT TO CHANGE AND THE CONTROLLING ENGINEERING ORGANIZATION SHOULD BE CONTACTED FOR THE LATEST REVISION.		DWN Y. KAWAHARA 10OCT2001 CHK N. SAI 10OCT2001 APVD K. SHIMIZU 10OCT2001	Tyco Electronics AMP K.K. Kawasaki, Japan
DIMENSIONS: 単位: ㎜	TOLERANCES UNLESS OTHERWISE SPECIFIED: 一般公差=±0.3 0-PLC ± 1-PLC ±0.5 2-PLC ±0.13 3-PLC ±0.13 4-PLC ±0.001 ANGLES ±3°00'	PRODUCT SPEC 108-5793 APPLICATION SPEC 114-18021,114-18050	NAME LEVER ASSY TYPE-A (STEER THE WIRE OUTSIDE) SEALED 8IPOS. PLUG HSG MQS CLEAN BODY/JPT
MATERIAL 材料 PBT	FINISH 仕上 SEE TABLE	WEIGHT 14.9g	SIZE A2 CAGE CODE 00779 DRAWING NO 1473247 RESTRICTED TO -
CUSTOMER DRAWING			SCALE 2.1 SHEET 1 OF 1 REV 0