



Chipsmall Limited consists of a professional team with an average of over 10 year of expertise in the distribution of electronic components. Based in Hongkong, we have already established firm and mutual-benefit business relationships with customers from,Europe,America and south Asia,supplying obsolete and hard-to-find components to meet their specific needs.

With the principle of "Quality Parts,Customers Priority,Honest Operation,and Considerate Service",our business mainly focus on the distribution of electronic components. Line cards we deal with include Microchip,ALPS,ROHM,Xilinx,Pulse,ON,Everlight and Freescale. Main products comprise IC,Modules,Potentiometer,IC Socket,Relay,Connector.Our parts cover such applications as commercial,industrial, and automotives areas.

We are looking forward to setting up business relationship with you and hope to provide you with the best service and solution. Let us make a better world for our industry!



Contact us

Tel: +86-755-8981 8866 Fax: +86-755-8427 6832

Email & Skype: info@chipsmall.com Web: www.chipsmall.com

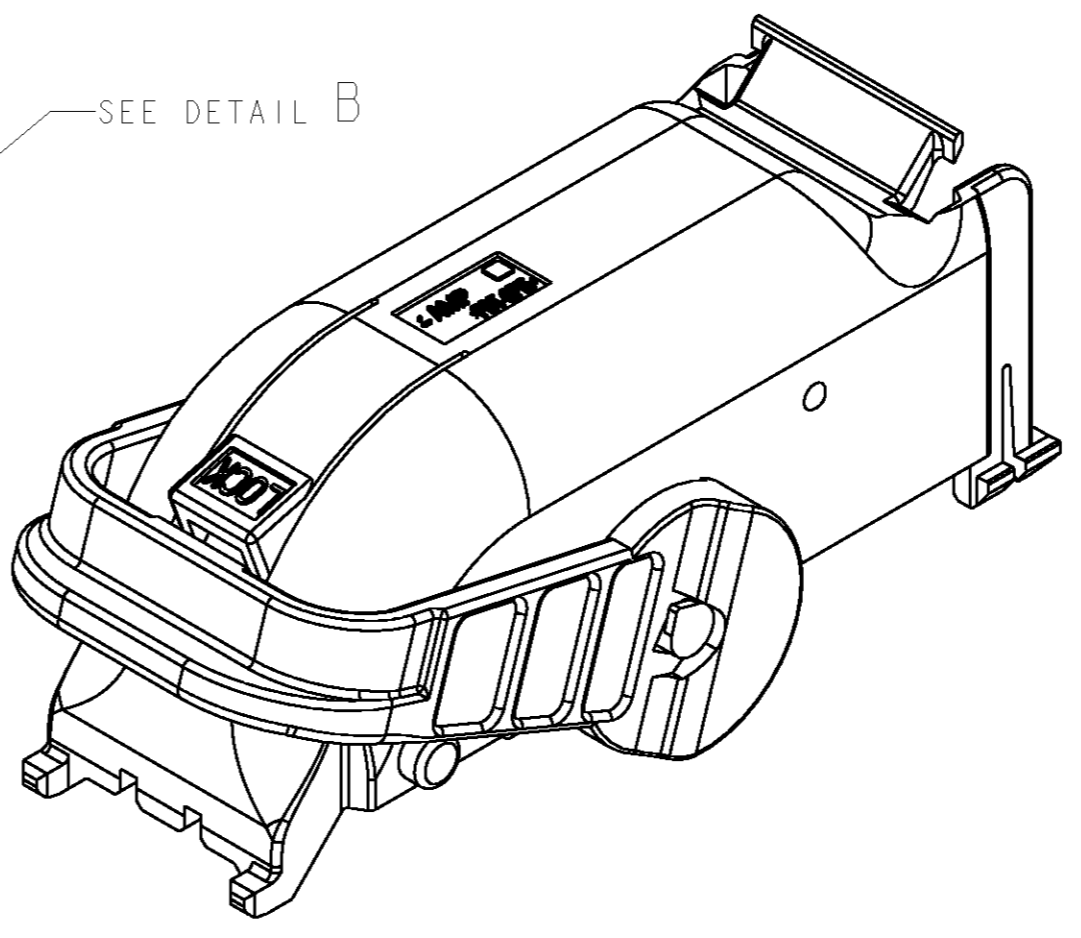
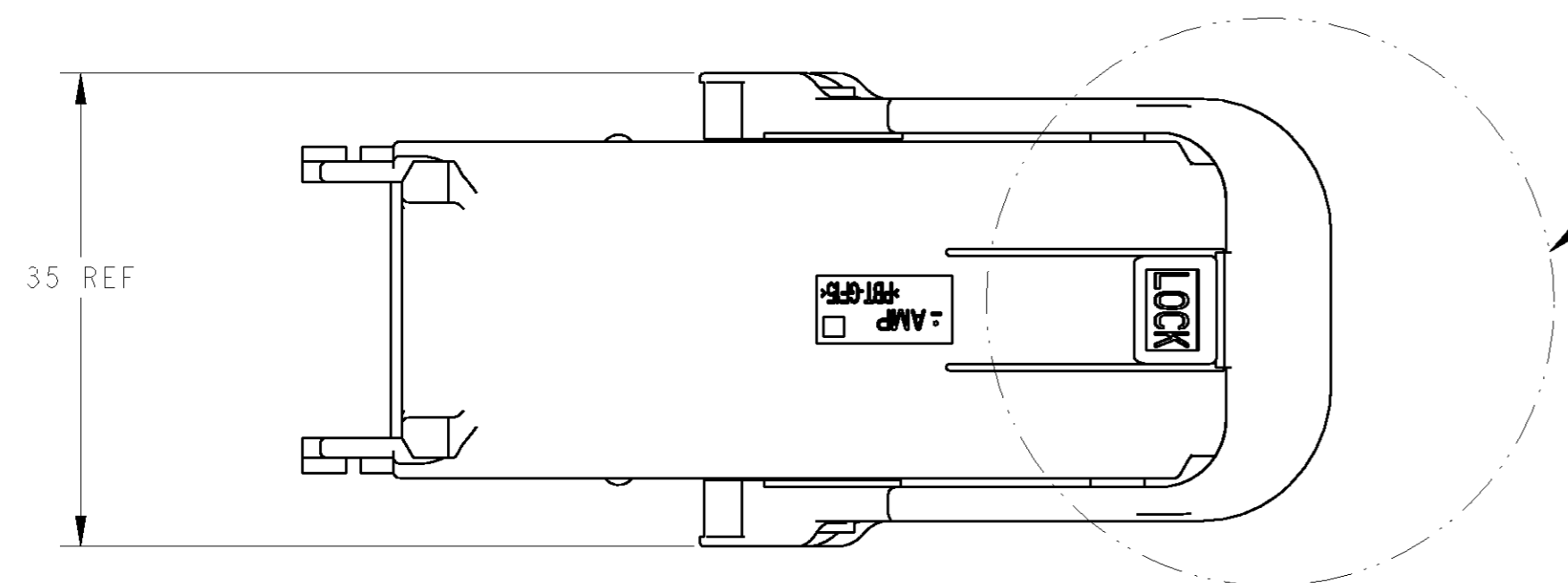
Address: A1208, Overseas Decoration Building, #122 Zhenhua RD., Futian, Shenzhen, China



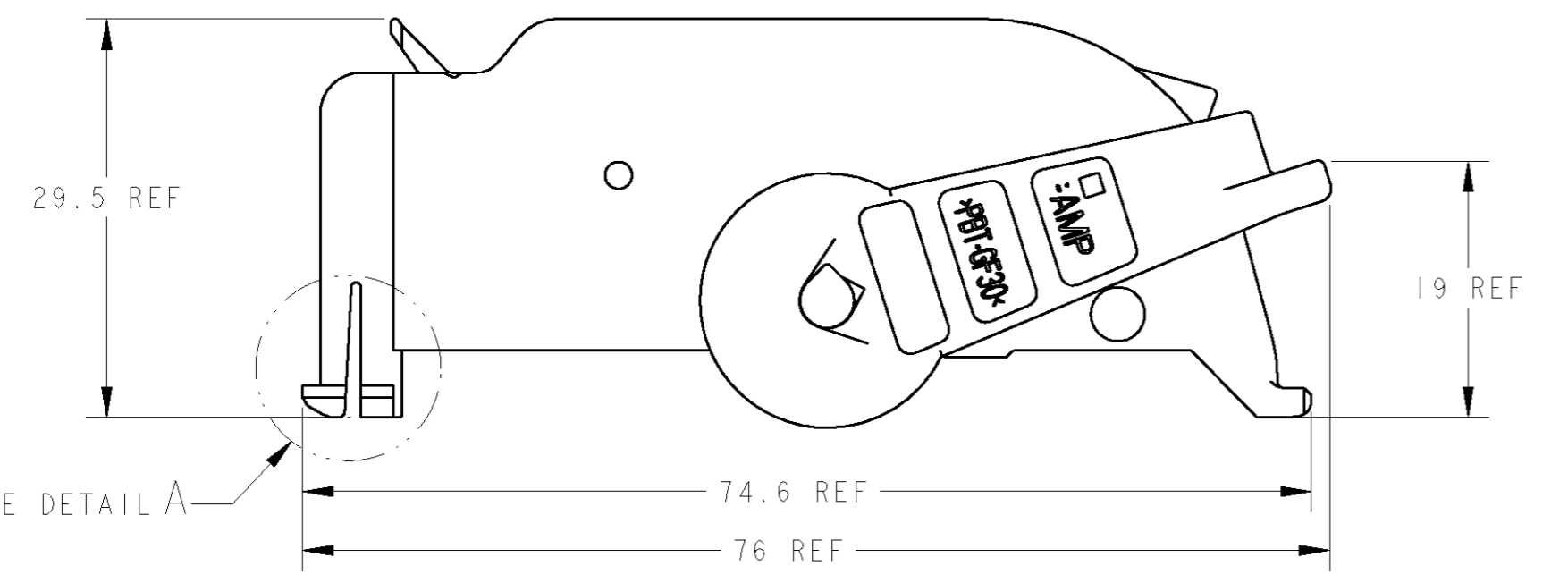
THIS DRAWING IS UNPUBLISHED. RELEASED FOR PUBLICATION 20
 © COPYRIGHT 20 BY TYCO ELECTRONICS CORPORATION. ALL RIGHTS RESERVED.

LOC J
 DIST

REVISIONS						
REV	DATE	DESCRIPTION	ECN	APVD	DWN	BY
0	10OCT2001	RELEASED	FJ00-2386-01	Y.K	N.S	
01	10MAR2005	ADD "-2" NO SLIT TYPE	ECR-05-000427	S.Y	Y.F	
A	07MAY07	ADD LONG LEVER TYPE	ECR-07-010628	T.J	Y.F	

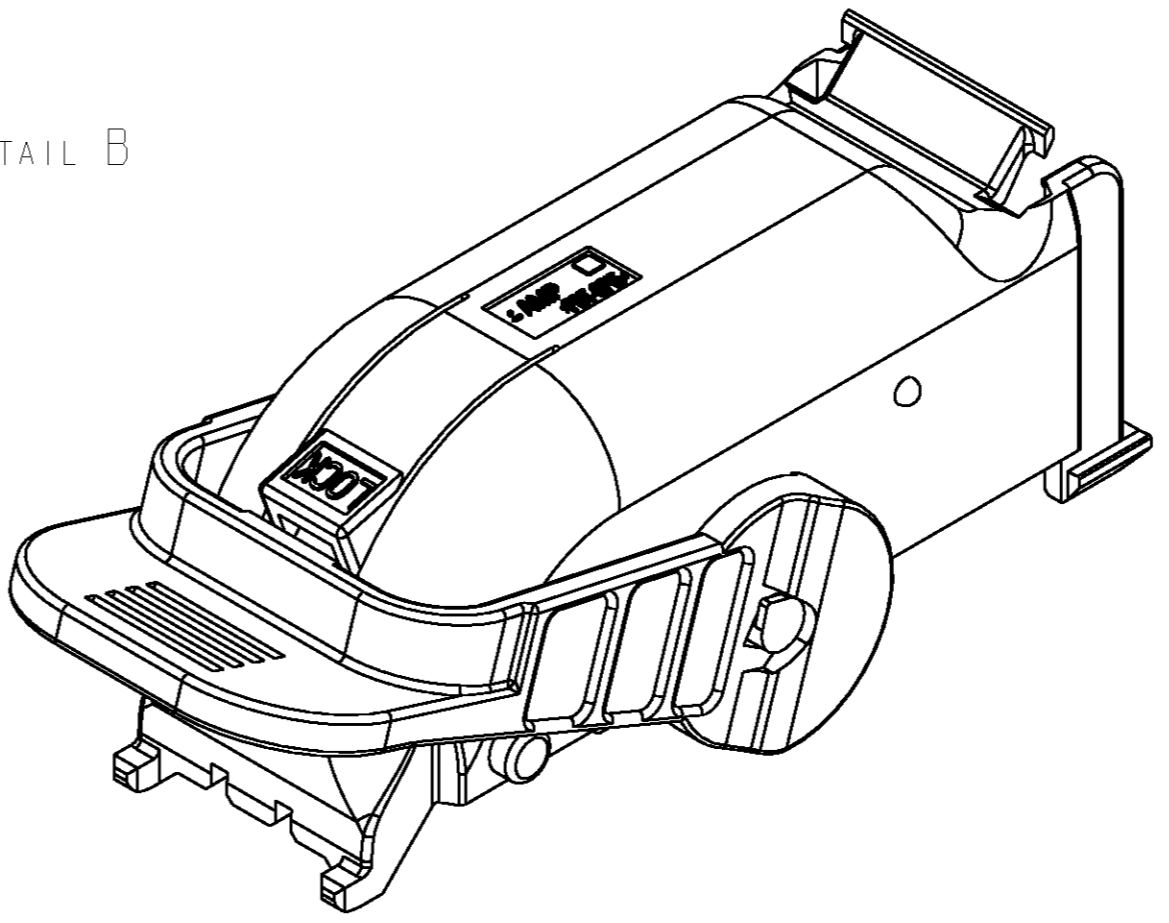
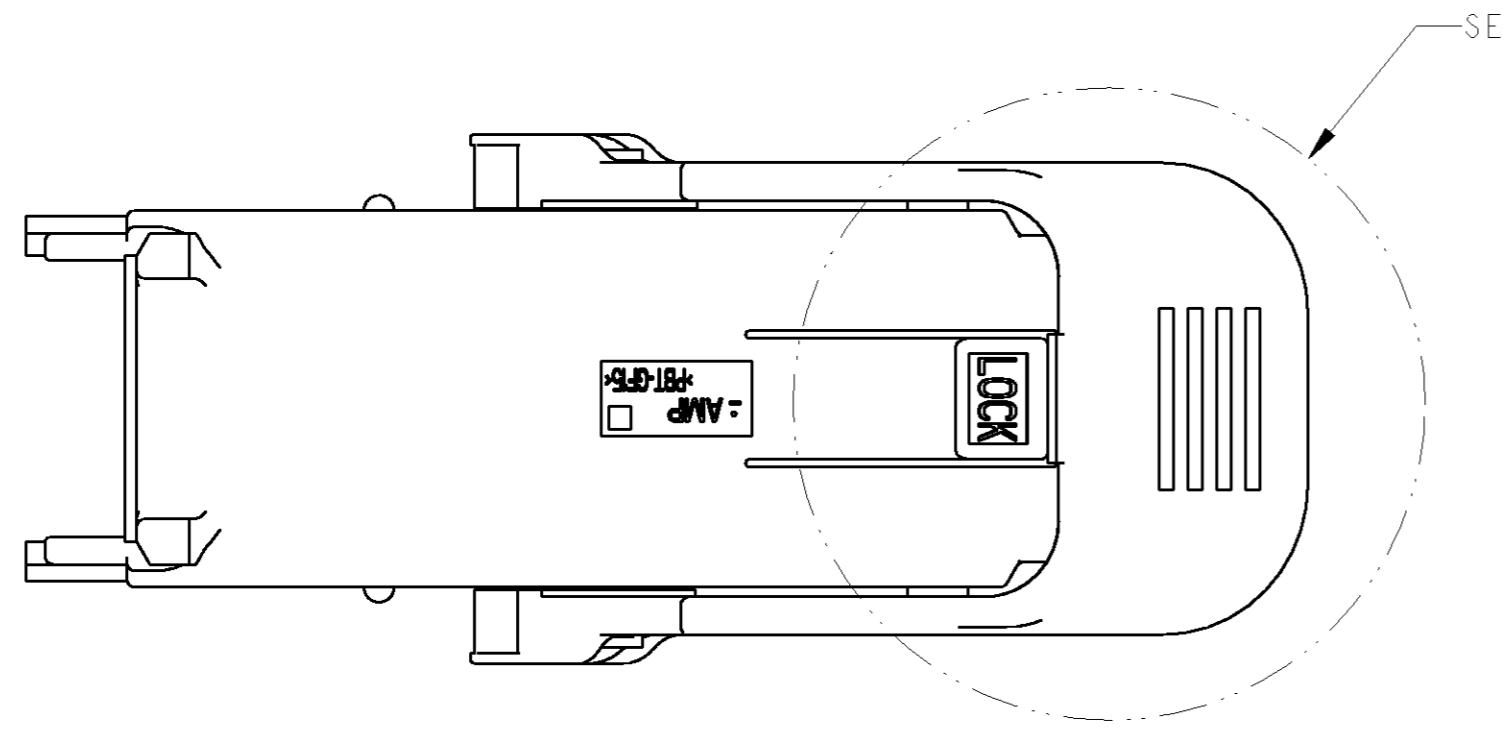


DETAIL A	SLIT TYPE	NO SLIT TYPE
TYPE	SLIT TYPE	NO SLIT TYPE
P/N	1473250-1	1473250-2, -3



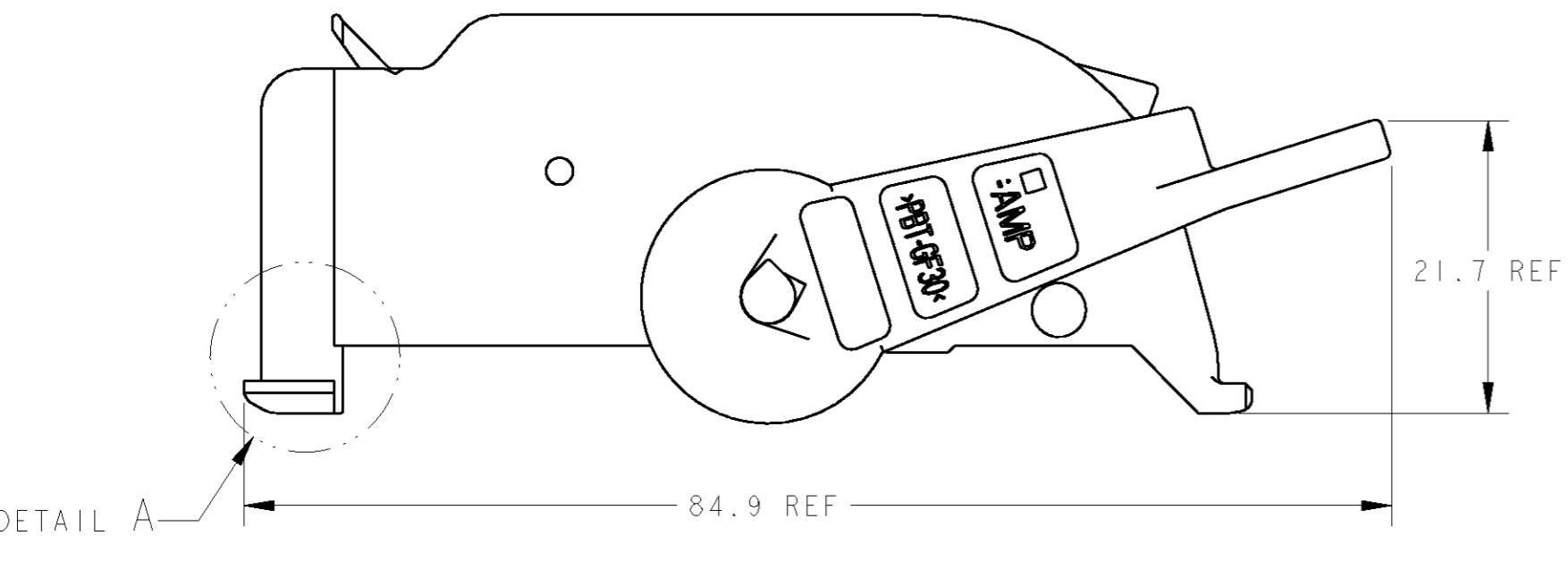
STANDARD LEVER TYPE

DETAIL B	STANDARD LEVER TYPE	LONG LEVER TYPE
TYPE	STANDARD LEVER TYPE	LONG LEVER TYPE
P/N	1473250-1, -2	1473250-3



LONG LEVER TYPE

- PART NUMBER OF PLUG HOUSING ASSEMBLY TO BE APPLIED ; SEE PRODUCT SPEC
 - INSTRUCTION SHEET NO ; 411-78008, 411-78142
1. 適用プラグハウジングアセンブリ型番は、製品規格参照のこと。
 2. 取扱説明書 NO ; 411-78008, 411-78142



1	-	-	LEVER (LONG TYPE)	WHITE	2
-	1	1	LEVER (STANDARD TYPE)	BLACK	
1	1	-	HARNESS COVER (NO SLIT)	BLACK	1
-	-	1	HARNESS COVER (SLIT)	BLACK	
-3	-2	-1	PART NAME	FINISH/COLOR	NO

THIS DRAWING IS A CONTROLLED DOCUMENT FOR TYCO ELECTRONICS CORPORATION IT IS SUBJECT TO CHANGE AND THE CONTROLLING ENGINEERING ORGANIZATION SHOULD BE CONTACTED FOR THE LATEST REVISION.		DWN T. JIANG 07MAY07 CHK Y. NOGUCHI 07MAY07 APVD Y. FUJIWARA 07MAY07	Tyco Electronics Corporation Kawasaki, Japan
DIMENSIONS: 単位: ㎜	TOLERANCES UNLESS OTHERWISE SPECIFIED: 一般公差: ±0.3 0-PLC ±0.5 1-PLC ±0.13 2-PLC ±0.13 3-PLC ±0.13 4-PLC ±0.0001 ANGLES ±3°00'	PRODUCT SPEC 製品規格 108-5793, 108-5977	NAME 名称 LEVER ASSY TYPE-B SEALED 81POS. PLUG HSG MQS CLEAN BODY/JPT
MATERIAL 材料 PBT	FINISH 仕上 SEE TABLE	APPLICATION SPEC 取付適用規格 114-18021, 114-18050	SIZE 寸法 A2
CUSTOMER DRAWING		WEIGHT 重量 14.5g	CAGE CODE 番号 00779
DRAWING NO 番号 1473250		RESTRICTED TO	SCALE 尺度 2:1
SHEET 1 OF 1		REV A	