



Chipsmall Limited consists of a professional team with an average of over 10 year of expertise in the distribution of electronic components. Based in Hongkong, we have already established firm and mutual-benefit business relationships with customers from,Europe,America and south Asia,supplying obsolete and hard-to-find components to meet their specific needs.

With the principle of "Quality Parts,Customers Priority,Honest Operation,and Considerate Service",our business mainly focus on the distribution of electronic components. Line cards we deal with include Microchip,ALPS,ROHM,Xilinx,Pulse,ON,Everlight and Freescale. Main products comprise IC,Modules,Potentiometer,IC Socket,Relay,Connector.Our parts cover such applications as commercial,industrial, and automotives areas.

We are looking forward to setting up business relationship with you and hope to provide you with the best service and solution. Let us make a better world for our industry!



Contact us

Tel: +86-755-8981 8866 Fax: +86-755-8427 6832

Email & Skype: info@chipsmall.com Web: www.chipsmall.com

Address: A1208, Overseas Decoration Building, #122 Zhenhua RD., Futian, Shenzhen, China



P	LTR	DESCRIPTION	ECN	DATE	DWN	APVD
0		RELEASED	FJ00-0194-01	29 MAR 01	S.W	J/W

-1; AS SHOWN

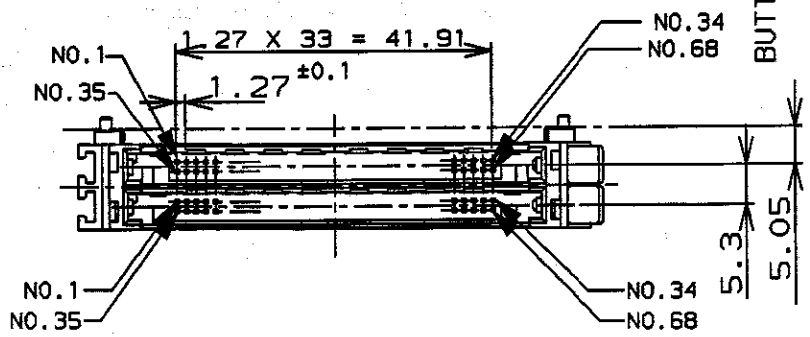
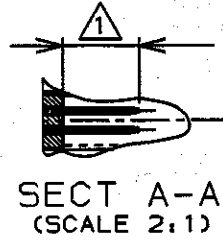
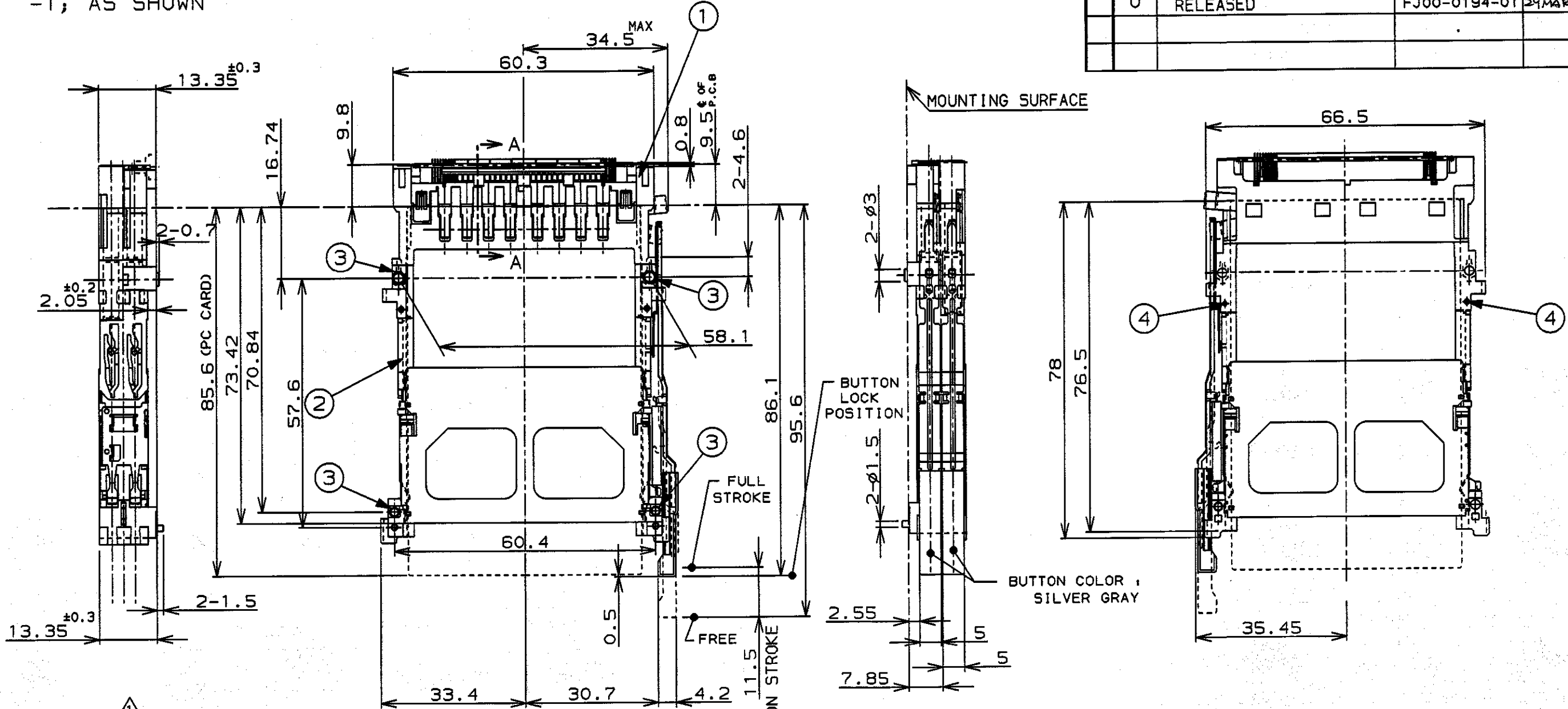


TABLE 1

POST LENGTH	5	3.5	4.25
回路番号 CIRCUIT NO.	1, 17, 34, 35, 51, 68	36, 67	その他 OTHERS

2	SPRING PIN	④
4	NUT (M2)	③
1	EJECTOR SUB ASSEMBLY	②
1	HEADER MAIN ASSEMBLY	①
数量 QTY	名称 NAME	ITEM

- 注記
- ① ポスト長は表1を参照の事。
 - ② 推奨ねじ締め付けトルク: 0.15N・m(1.5kg・cm) から 0.2N・m(2kg・cm)
 - ③ 対応PCカード: PCMCIA準拠のPCカード
 - ④ ネジ締め時のナット押しつけ力: 14.7N(1.5kgf)以下
- NOTE
- ① REFER TO TABLE 1 FOR POST CONTACT LENGTH.
 - ② RECOMMENDED TIGHTENING TORQUE: FROM 0.15N・m(1.5kg・cm) TO 0.2N・m(2kg・cm)
 - ③ APPLIED CARD: PCMCIA ATTRIBUTE PC CARD.
 - ④ THE AXIAL FORCE TO NUTS WHEN MOUNTING CardBus: 14.7N(1.5kgf) MAX.

THIS DRAWING IS A CONTROLLED DOCUMENT FOR AMP INCORPORATED. IT IS SUBJECT TO CHANGE AND THE CONTROLLING ENGINEERING ORGANIZATION SHOULD BE CONTACTED FOR THE LATEST REVISION.

28/MAR/01
S. WATANABE
CHK K. Yamaguchi 29/MAR/01
APVD H. Yamaguchi 29/MAR/01
NAME 名称
PRODUCT SPEC 108-5590
APPLICATION SPEC 取付適用規格
WEIGHT 28gr
CUSTOMER DRAWING

AMP Tyco Electronics AMP K.K. Kawasaki, Japan

CARD BUS CONNECTOR
DOUBLE SLOT BOTTOM MOUNT PUSH-PUSH TYPE

SIZE A3 CAGE CODE 00779 DRAWING NO. ①=1473389 RESTRICTED TO

SCALE 1:1 SHEET 1 OF 2 REV 0

-1; AS SHOWN

0.6mm PITCH CARD EDGE CONNECTOR FOR THIS CARDBUS PRODUCTS

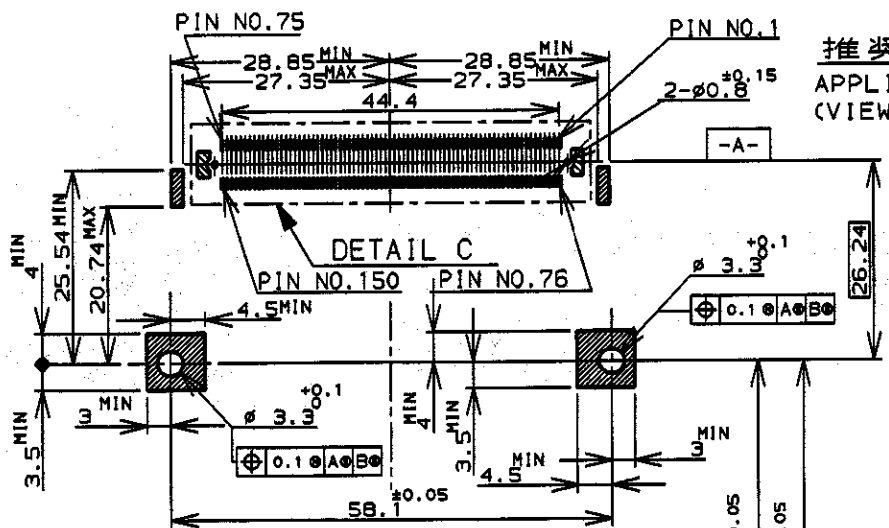
Parts Number	Description
1123215-1	HARD TRAY ASSY
1376045-1	ON TAPING (EMBOSS)

推奨取付寸法 (部品搭載面)

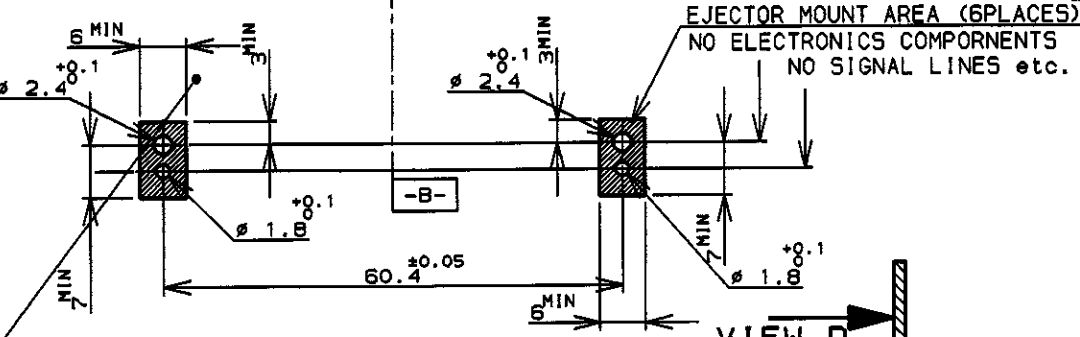
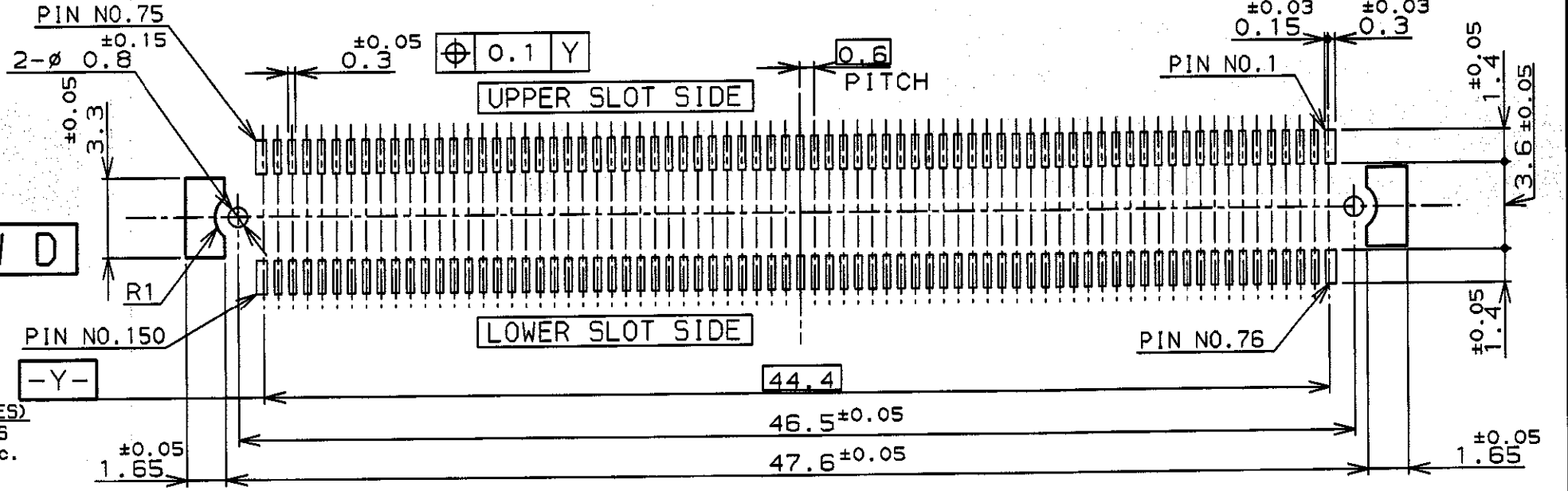
APPLICABLE P.C. BOARD LAYOUT (VIEW FROM CONN. MOUNTING SIDE)

*RECOMMENDED SCREW SIZE, M2 X 12 WITH WASHER.

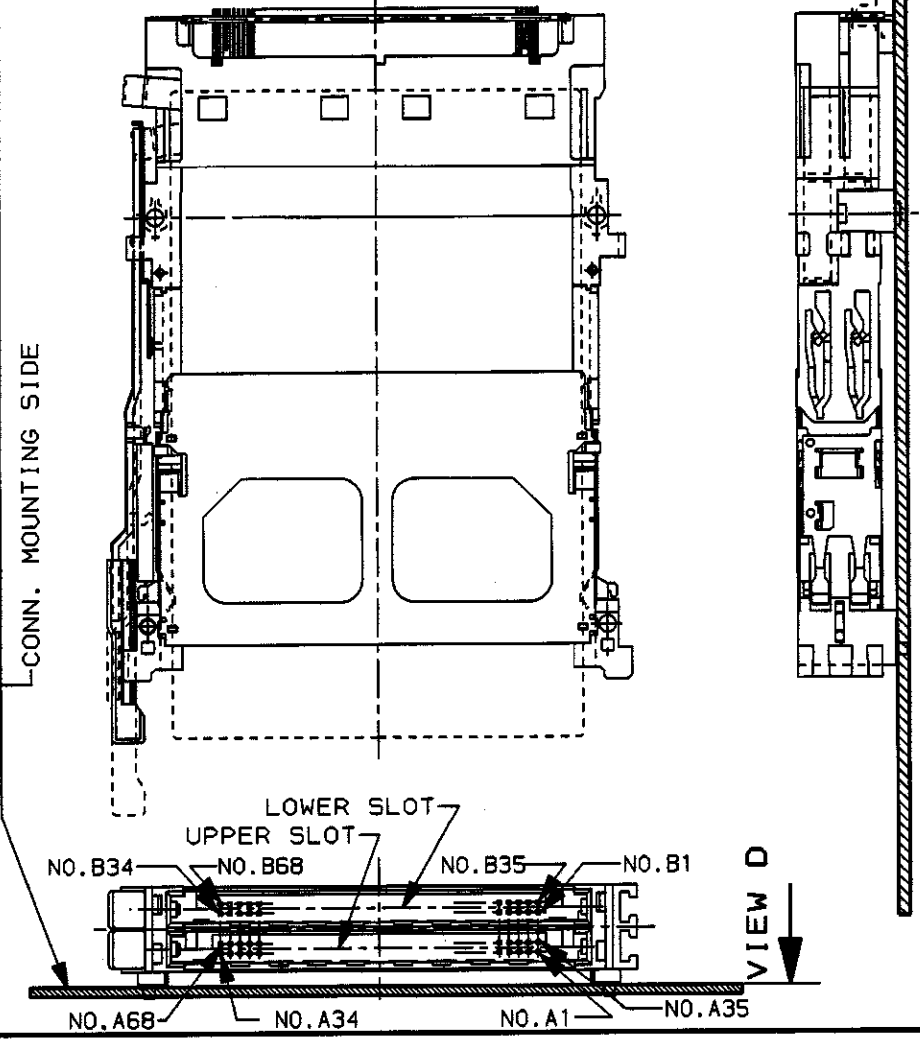
*取付ネジにはワッシャー付き M2xL12 を推奨します。



VIEW D



VIEW D



VIEW D

PIN ASSIGNMENT

COMMON	PIN NO. REC. CONN. CARDBUS 150P	PIN NO. REC. CONN. CARDBUS 150P	COMMON
A68	150	150	
A67	149	149	
A66	148	148	
A65	147	147	
A64	146	146	
A63	145	145	
A62	144	144	
A61	143	143	
A60	142	142	
A59	141	141	
A58	140	140	
A57	139	139	
A56	138	138	
A55	137	137	
A54	136	136	
A53	135	135	
A52	134	134	
A51	133	133	
A50	132	132	
A49	131	131	
A48	130	130	
A47	129	129	
A46	128	128	
A45	127	127	
A44	126	126	
A43	125	125	
A42	124	124	
A41	123	123	
A40	122	122	
A39	121	121	
A38	120	120	
A37	119	119	
A36	118	118	
A35	117	117	
A34	116	116	
A33	115	115	
A32	114	114	
A31	113	113	
A30	112	112	
A29	111	111	
A28	110	110	
A27	109	109	
A26	108	108	
A25	107	107	
A24	106	106	
A23	105	105	
A22	104	104	
A21	103	103	
A20	102	102	
A19	101	101	
A18	100	100	
A17	99	99	
A16	98	98	
A15	97	97	
A14	96	96	
A13	95	95	
A12	94	94	
A11	93	93	
A10	92	92	
A9	91	91	
A8	90	90	
A7	89	89	
A6	88	88	
A5	87	87	
A4	86	86	
A3	85	85	
A2	84	84	
A1	83	83	
A0	82	82	
A68	81	81	
A67	80	80	
A66	79	79	
A65	78	78	
A64	77	77	
A63	76	76	
A62	75	75	
A61	74	74	
A60	73	73	
A59	72	72	
A58	71	71	
A57	70	70	
A56	69	69	
A55	68	68	
A54	67	67	
A53	66	66	
A52	65	65	
A51	64	64	
A50	63	63	
A49	62	62	
A48	61	61	
A47	60	60	
A46	59	59	
A45	58	58	
A44	57	57	
A43	56	56	
A42	55	55	
A41	54	54	
A40	53	53	
A39	52	52	
A38	51	51	
A37	50	50	
A36	49	49	
A35	48	48	
A34	47	47	
A33	46	46	
A32	45	45	
A31	44	44	
A30	43	43	
A29	42	42	
A28	41	41	
A27	40	40	
A26	39	39	
A25	38	38	
A24	37	37	
A23	36	36	
A22	35	35	
A21	34	34	
A20	33	33	
A19	32	32	
A18	31	31	
A17	30	30	
A16	29	29	
A15	28	28	
A14	27	27	
A13	26	26	
A12	25	25	
A11	24	24	
A10	23	23	
A9	22	22	
A8	21	21	
A7	20	20	
A6	19	19	
A5	18	18	
A4	17	17	
A3	16	16	
A2	15	15	
A1	14	14	
A0	13	13	
A68	12	12	
A67	11	11	
A66	10	10	
A65	9	9	
A64	8	8	
A63	7	7	
A62	6	6	
A61	5	5	
A60	4	4	
A59	3	3	
A58	2	2	
A57	1	1	
A56	0	0	
A55			
A54			
A53			
A52			
A51			
A50			
A49			
A48			
A47			
A46			
A45			
A44			
A43			
A42			
A41			
A40			
A39			
A38			
A37			
A36			
A35			
A34			
A33			
A32			
A31			
A30			
A29			
A28			
A27			
A26			
A25			
A24			
A23			
A22			
A21			
A20			
A19			
A18			
A17			
A16			
A15			
A14			
A13			
A12			
A11			
A10			
A9			
A8			
A7			
A6			
A5			
A4			
A3			
A2			
A1			
A0			

THIS DRAWING IS A CONTROLLED DOCUMENT FOR AMP INCORPORATED IN JAPAN. IT IS SUBJECT TO CHANGE AND THE CONTROLLING ENGINEERING ORGANIZATION SHOULD BE CONTACTED FOR THE LATEST REVISION.

DIMENSIONS: 単位: 毫 mm	TOLERANCES UNLESS OTHERWISE SPECIFIED 一般公差 ±0.5	CHK
		APVD
		PRODUCT SPEC 製品規格
		APPLICATION SPEC 取付適用規格
		WEIGHT
CUSTOMER DRAWING		

AMP		Tyco Electronics AMP K.K. Kawasaki, Japan	
NAME 名称 CARD BUS CONNECTOR DOUBLE SLOT BOTTOM MOUNT PUSH-PUSH TYPE			
SIZE 寸法	CAGE CODE 番号	DRAWING NO. 図号	RESTRICTED TO
A3	00779	C-1473389	
SCALE 尺度		SHEET 張	REV
1:1		2 OF 2	0