



Chipsmall Limited consists of a professional team with an average of over 10 year of expertise in the distribution of electronic components. Based in Hongkong, we have already established firm and mutual-benefit business relationships with customers from,Europe,America and south Asia,supplying obsolete and hard-to-find components to meet their specific needs.

With the principle of “Quality Parts,Customers Priority,Honest Operation,and Considerate Service”,our business mainly focus on the distribution of electronic components. Line cards we deal with include Microchip,ALPS,ROHM,Xilinx,Pulse,ON,Everlight and Freescale. Main products comprise IC,Modules,Potentiometer,IC Socket,Relay,Connector.Our parts cover such applications as commercial,industrial, and automotives areas.

We are looking forward to setting up business relationship with you and hope to provide you with the best service and solution. Let us make a better world for our industry!



Contact us

Tel: +86-755-8981 8866 Fax: +86-755-8427 6832

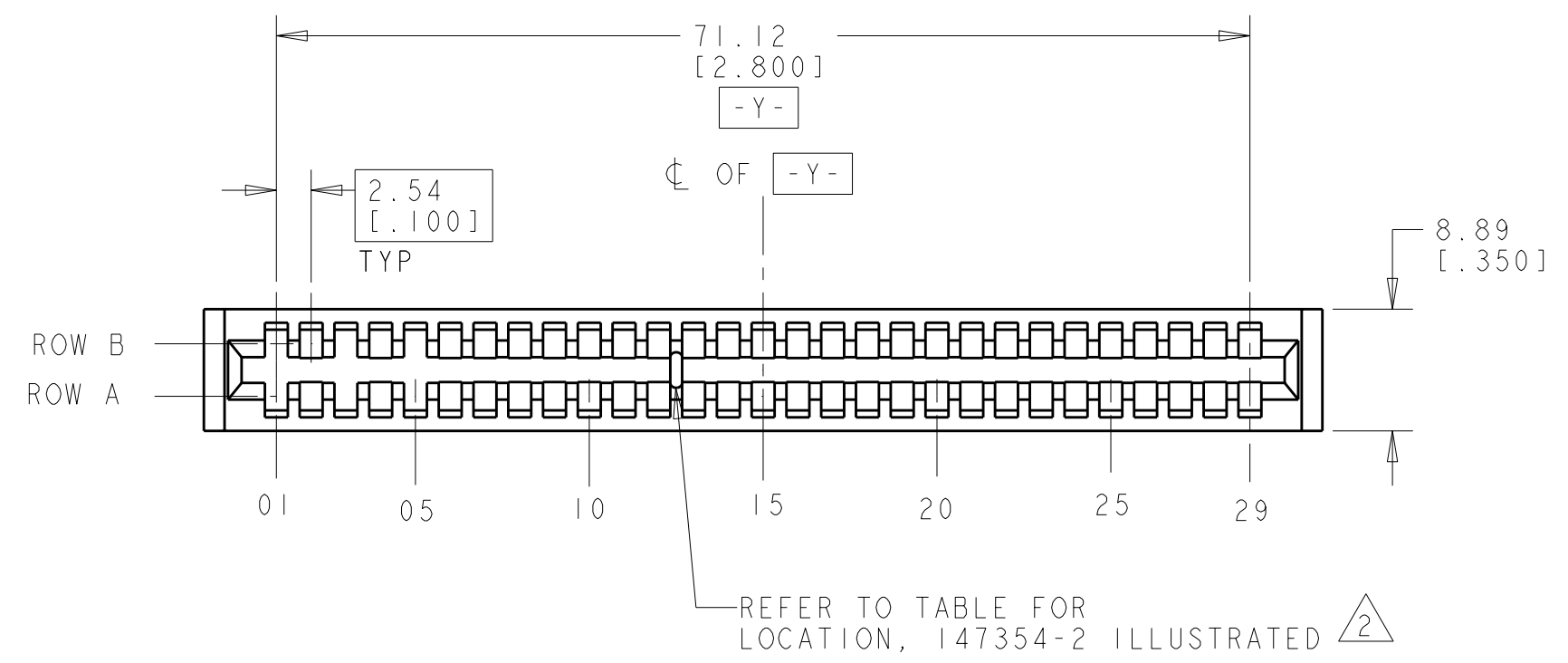
Email & Skype: info@chipsmall.com Web: www.chipsmall.com

Address: A1208, Overseas Decoration Building, #122 Zhenhua RD., Futian, Shenzhen, China

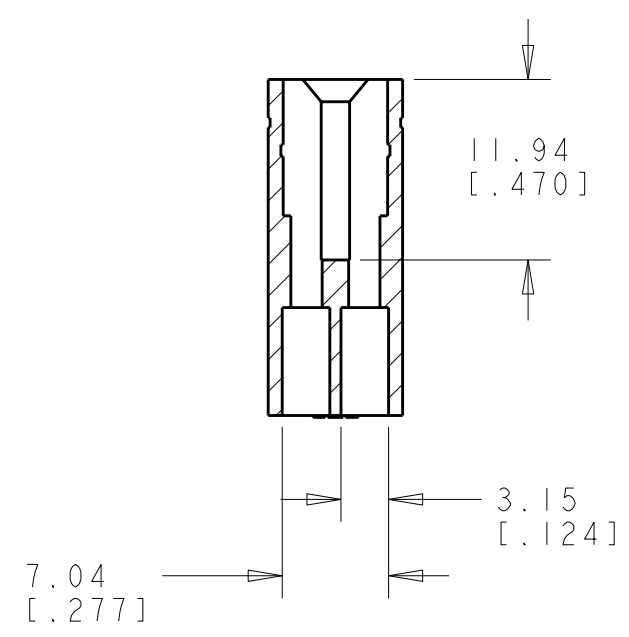
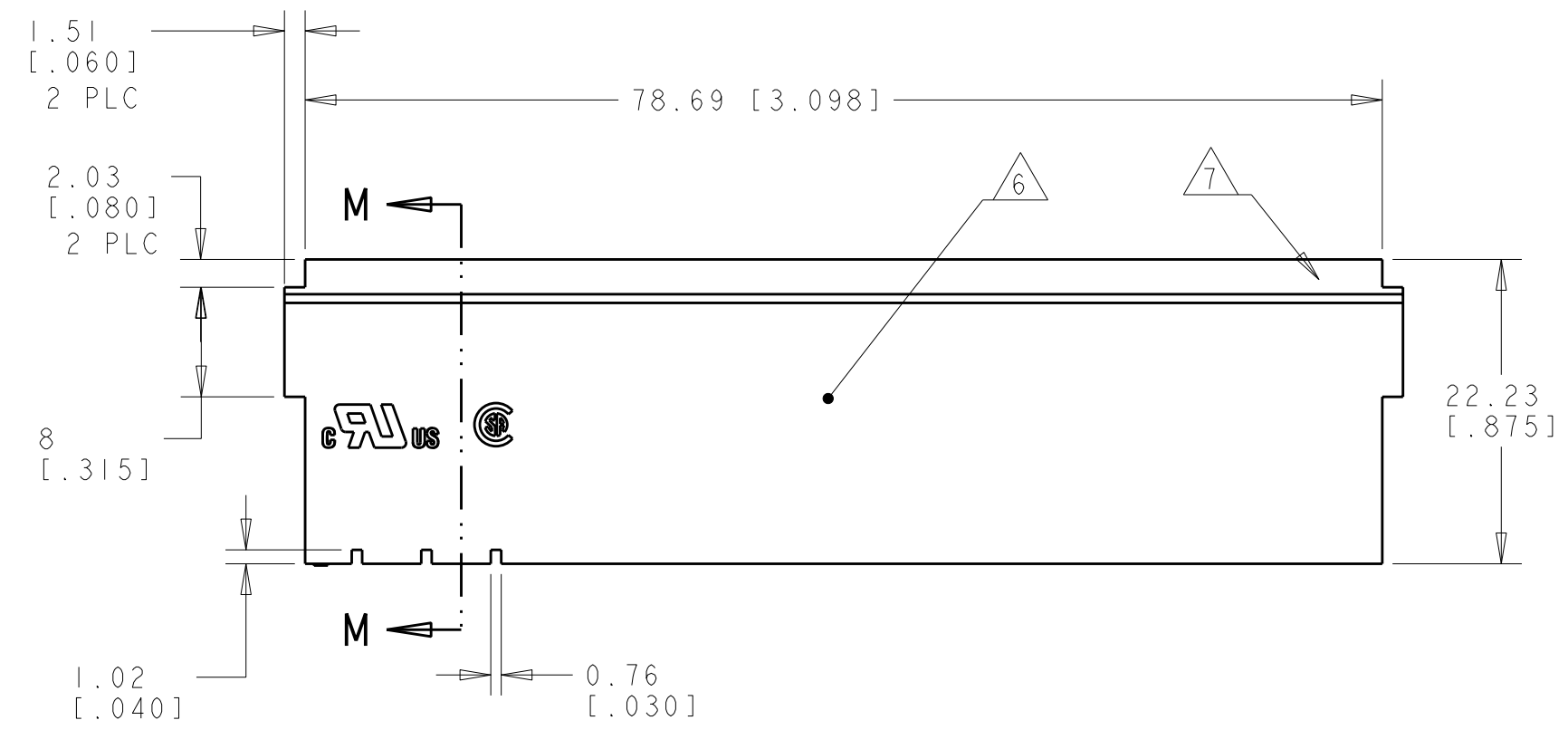


THIS DRAWING IS UNPUBLISHED. RELEASED FOR PUBLICATION 20
 © COPYRIGHT 20 BY TYCO ELECTRONICS CORPORATION. ALL RIGHTS RESERVED.

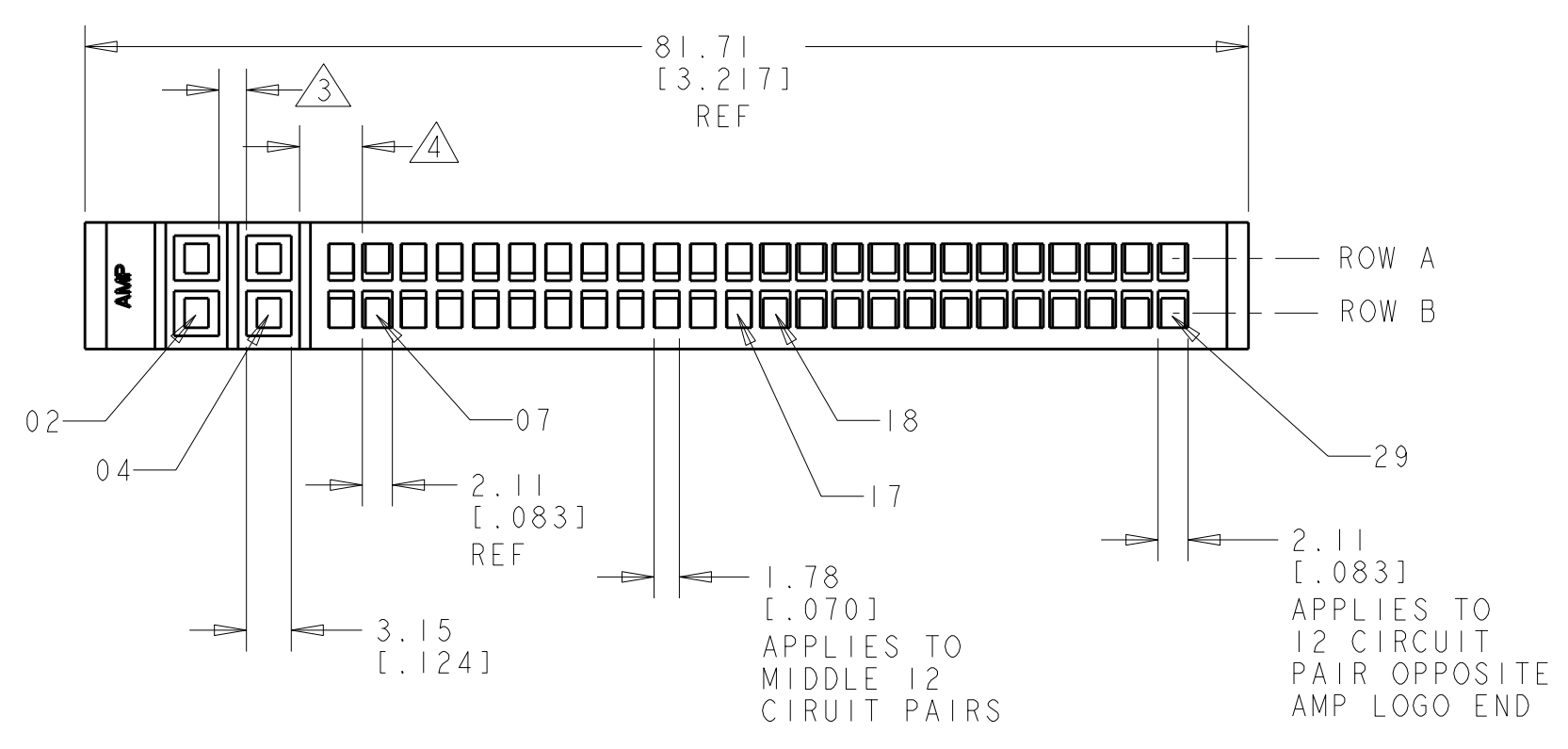
LOC	DIST	REVISIONS			
P	LTR	DESCRIPTION	DATE	DWN	APVD
AD	00	V	ADDED: -13 PER EC 0S1B-0114-01	19NOV2001	DD NN
		VI	REVISED PER ECO-09-027197	10DEC2009	KK AEG



- 1. HOUSING MATERIAL: GLASS FILLED POLYESTER, COLOR-BLACK.
- 2. SEE TABLE.
- 3. CREEPAGE DISTANCE = 3.3[.130].
- 4. CREEPAGE DISTANCE = 6.35[.250].
- 5. NOT RELEASED FOR PRODUCTION.
- 6. HOUSING PART NUMBER AND DATE CODE MARKED IN THIS AREA ON EITHER SIDE OF HOUSING.
- 7. OPTIONAL PULL GROOVE, SIZE AND LOCATION AT DISCRETION OF AMP.
- 8. OBSOLETE PARTS: OBSOLETE CIS STREAMLINING PER D.RENAUD/D.SINISI



SECTION M-M



NO OF POSN	PART NUMBER
18,19	1-147354-3
19,20	1-147354-2
17,18	1-147354-1
16,17	1-147354-0
14,15	147354-8
13,14	147354-7
10,11	147354-6
11,12	147354-5
8,9	147354-4
15,16	147354-3
12,13	147354-2
9,10	147354-1

THIS DRAWING IS A CONTROLLED DOCUMENT FOR TYCO ELECTRONICS CORPORATION IT IS SUBJECT TO CHANGE AND THE CONTROLLING ENGINEERING ORGANIZATION SHOULD BE CONTACTED FOR THE LATEST REVISION.

DWN B. HAYMAKER 09MAR2000
 CHK R. BENDORE 09MAR2000
 APVD R. BENDORE 09MAR2000

tyco Electronics Tyco Electronics Corporation
 Harrisburg, PA 17105-3608

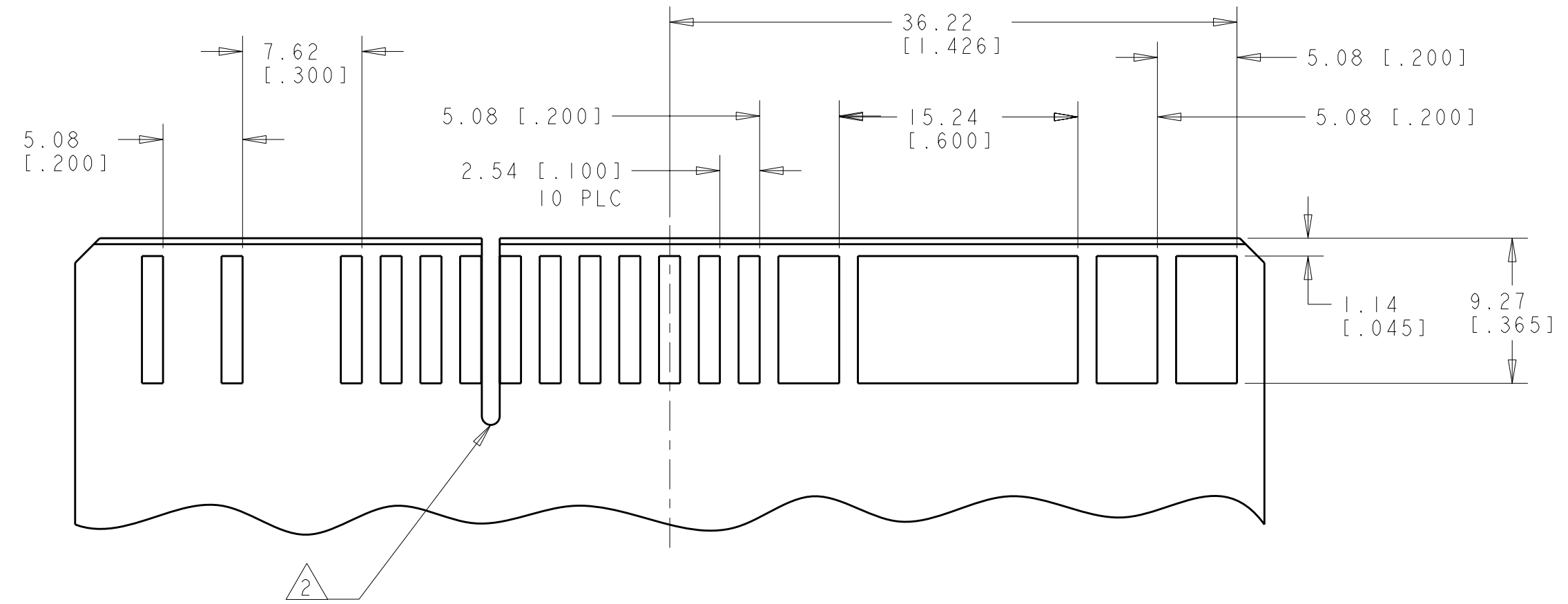
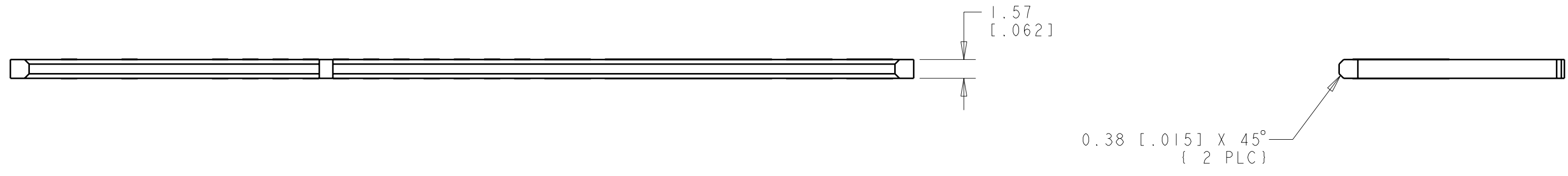
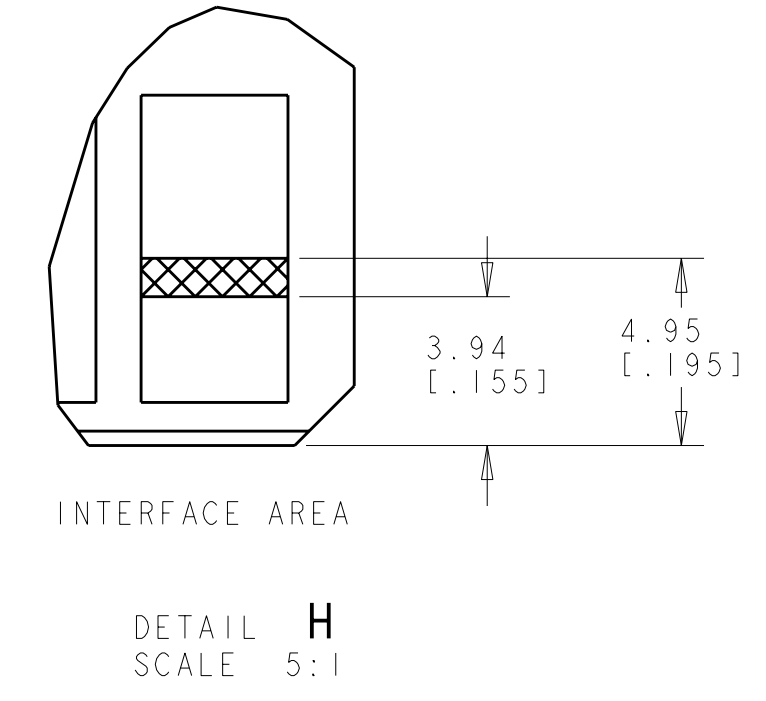
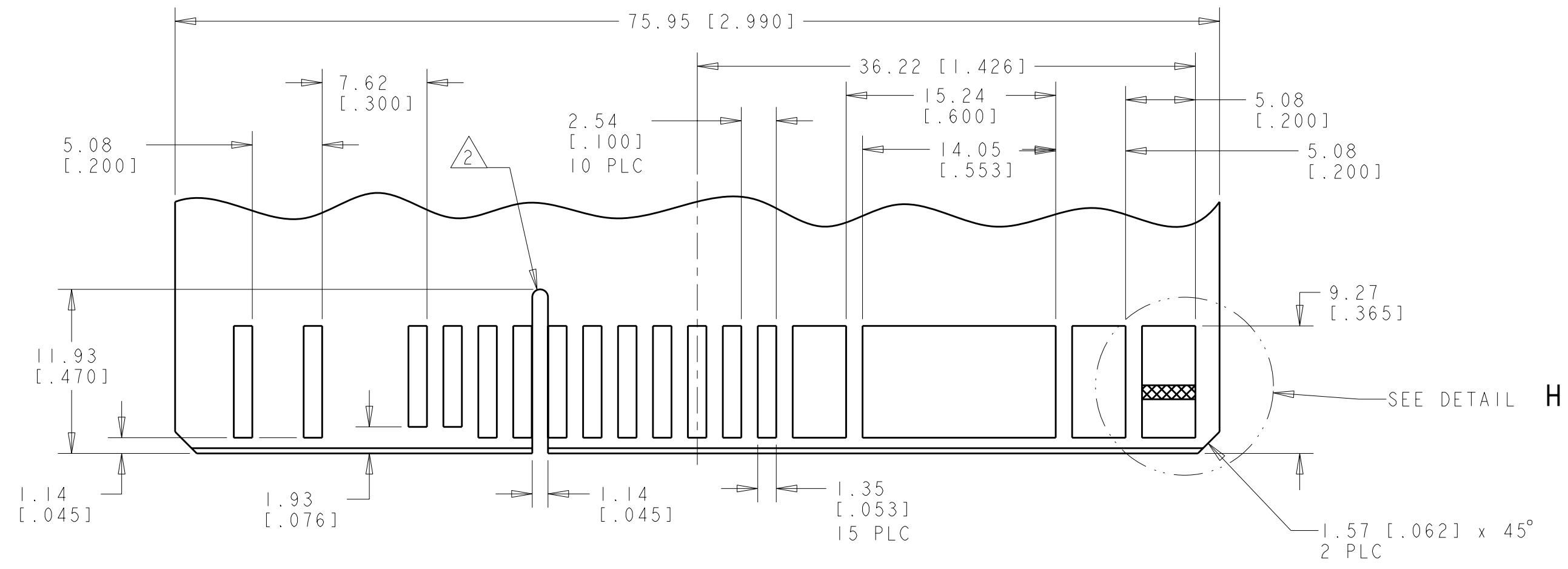
NAME HOUSING, CRIMP SNAP TWIN LEAF, .100 CENTERLINE X

SIZE CAGE CODE DRAWING NO RESTRICTED TO
 A200779 C-147354 -

MATERIAL - WEIGHT - CUSTOMER DRAWING SCALE SHEET 1 OF 2 REV. VI

THIS DRAWING IS UNPUBLISHED. RELEASED FOR PUBLICATION 20
 © COPYRIGHT 20 BY TYCO ELECTRONICS CORPORATION. ALL RIGHTS RESERVED.

LOC	DIST	REVISIONS				
P	LTR	DESCRIPTION	DATE	DWN	APVD	
AD	00	SEE SHEET 1				



RECOMMENDED ETCHED CIRCUIT

THIS DRAWING IS A CONTROLLED DOCUMENT FOR TYCO ELECTRONICS CORPORATION. IT IS SUBJECT TO CHANGE AND THE CONTROLLING ENGINEERING ORGANIZATION SHOULD BE CONTACTED FOR THE LATEST REVISION.		DWN B. HAYMAKER 09MAR2000	tyco Electronics Tyco Electronics Corporation Harrisburg, PA 17105-3608	
DIMENSIONS: mm [INCHES]		CHK R. BENDORE 09MAR2000	NAME HOUSING, CRIMP SNAP TWIN LEAF, .100 CENTERLINE X	
TOLERANCES UNLESS OTHERWISE SPECIFIED: 0 PLC ± 1 PLC ± 2 PLC ±0.13 [.005] 3 PLC ± 4 PLC ± ANGLES ± FINISH		APVD R. BENDORE 09MAR2000	PRODUCT SPEC -	RESTRICTED TO -
MATERIAL -		APPLICATION SPEC -	WEIGHT -	SIZE A200779
CUSTOMER DRAWING		SCALE 3:1	SHEET 2 OF 2	REV. 1