



Chipsmall Limited consists of a professional team with an average of over 10 year of expertise in the distribution of electronic components. Based in Hongkong, we have already established firm and mutual-benefit business relationships with customers from,Europe,America and south Asia,supplying obsolete and hard-to-find components to meet their specific needs.

With the principle of “Quality Parts,Customers Priority,Honest Operation,and Considerate Service”,our business mainly focus on the distribution of electronic components. Line cards we deal with include Microchip,ALPS,ROHM,Xilinx,Pulse,ON,Everlight and Freescale. Main products comprise IC,Modules,Potentiometer,IC Socket,Relay,Connector.Our parts cover such applications as commercial,industrial, and automotives areas.

We are looking forward to setting up business relationship with you and hope to provide you with the best service and solution. Let us make a better world for our industry!



Contact us

Tel: +86-755-8981 8866 Fax: +86-755-8427 6832

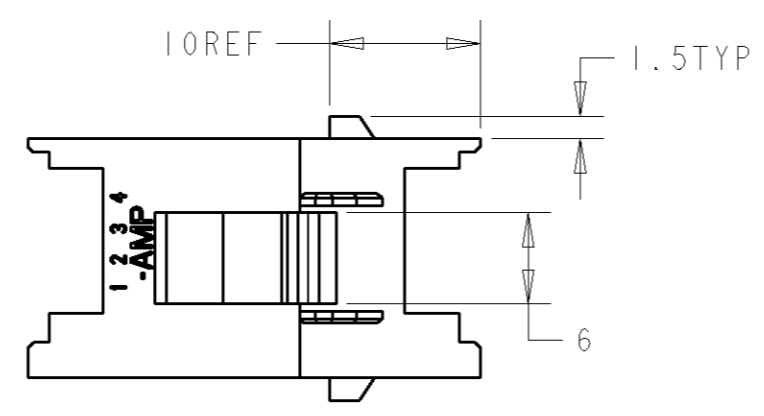
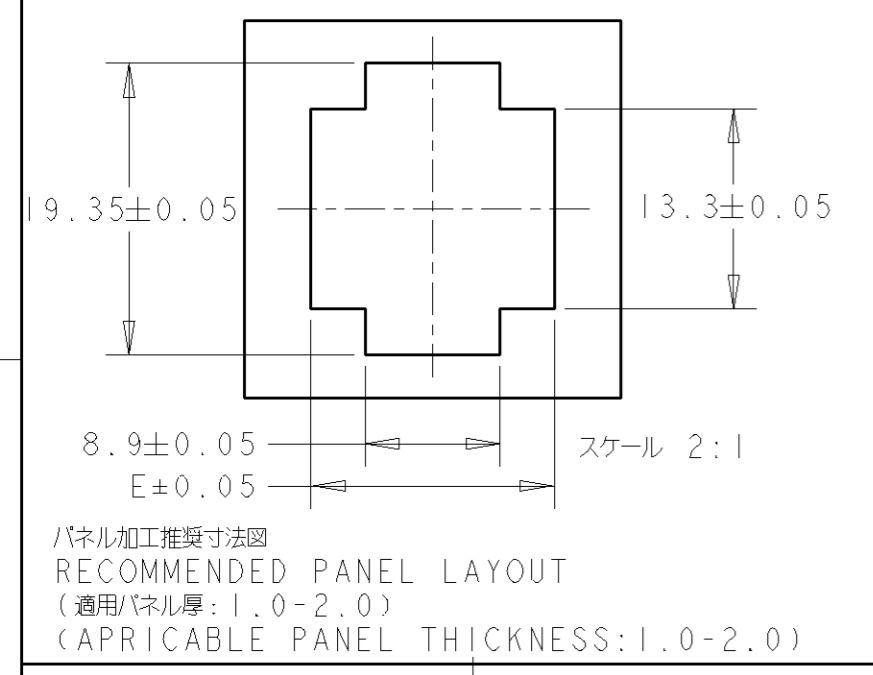
Email & Skype: info@chipsmall.com Web: www.chipsmall.com

Address: A1208, Overseas Decoration Building, #122 Zhenhua RD., Futian, Shenzhen, China

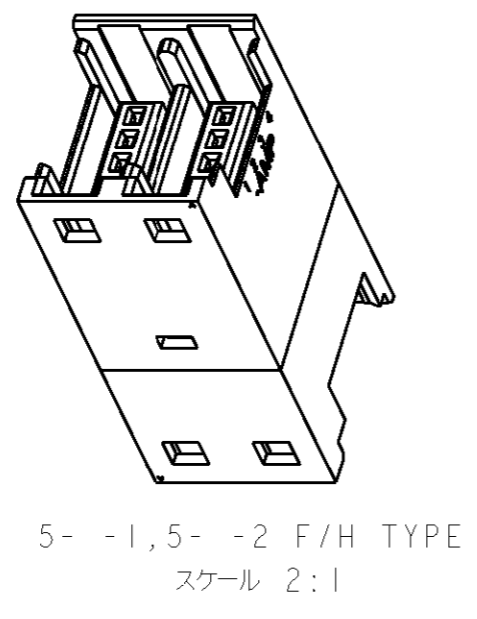
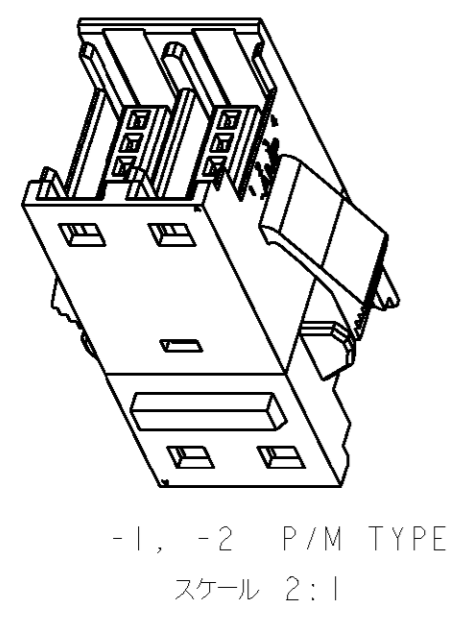
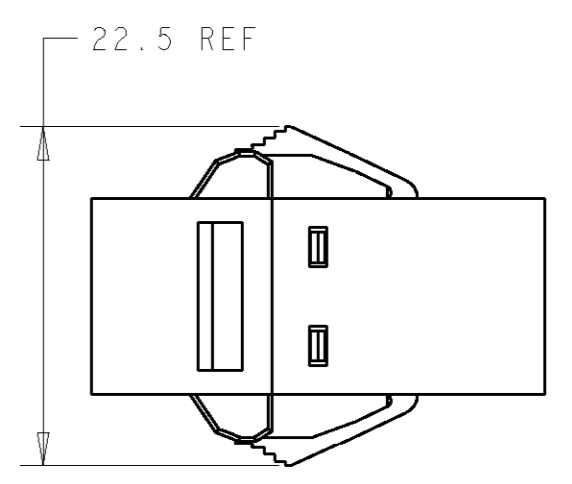
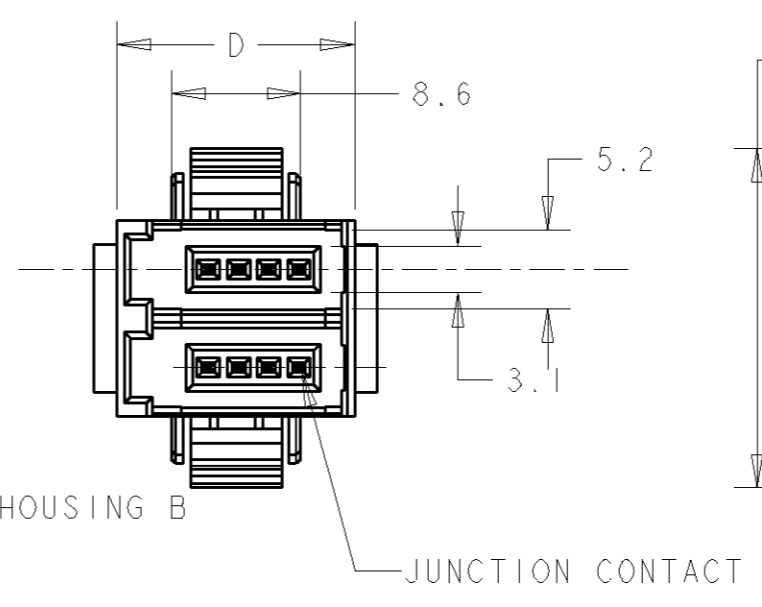
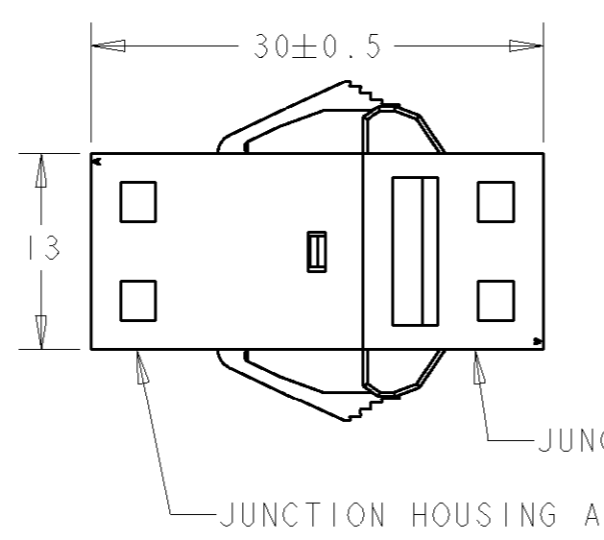
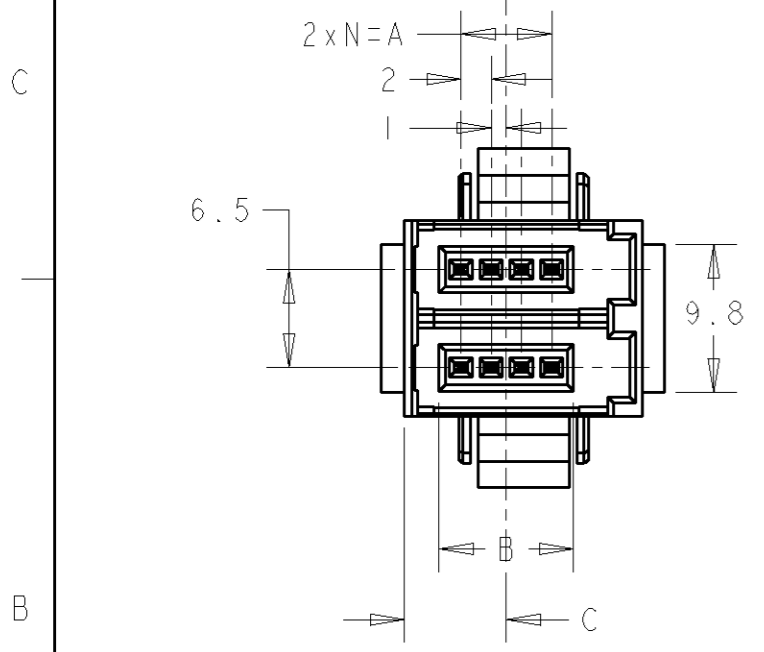


THIS DRAWING IS UNPUBLISHED. RELEASED FOR PUBLICATION
 © COPYRIGHT ALL RIGHTS RESERVED.

LOC	DIST	REVISIONS					
		P	LTR	DESCRIPTION	DATE	DWN	APVD
J	-	P		REVISED PER ECO-11-005294	11APR11	RK	HMR



注記
 1: 材料: ハウジング: ガラス入り熱可塑性ポリエステル樹脂, 94V-0, 黒
 コンタクト: 銅合金
 2: メッキ: コンタクト: 全面Ni下地
 接点部: 0.2μm MIN 金メッキ
 3: 金属パネルの場合, コネクタ取付方向を/パンチ加工方向にしてください。
 4: プラスチックパネルの場合, 穴端部にR無き様ご配慮ください。
 NOTE
 1: MATERIAL. HOUSING: GLASS FILED THERMPLASTIC, 94V-0, BLACK
 CONTACT. COPPER ALLOY
 2: FINISH. UNDERPLATE: Ni 1.27μm min.
 CONTACT AREA: Au 0.2μm min.
 3: INSERT CONN. FROM PRESS DIRECTION SIDE FOR METAL PANEL.
 4: EDGE OF THICKNESS WAY MUST NOT ROUND FOR MOLDED PANEL.



F/H	16.1	15.8	6.75	8.9	6	3	4	5-1473574-4
F/H	14.1	13.8	5.75	6.9	4	2	3	5-1473574-3
P/M	16.1	15.8	6.75	8.9	6	3	4	1473574-4
P/M	14.1	13.8	5.75	6.9	4	2	3	1473574-3
TYPE	E	D	C	B	A	N	POS	PART NUMBER

DIMENSIONS: mm	TOLERANCES UNLESS OTHERWISE SPECIFIED: 0 PLC ± ±0.2 1 PLC ± ±3° 2 PLC ± ±3° 3 PLC ± ± 4 PLC ± ± ANGLES ± ±	DWN 10SEP2001 D. MITSUGI	TE Connectivity NAME JUNCTION BOX (4D) FOR E-CON - RITS CONN. -
		CHK 10SEP2001 S. MANABE	
MATERIAL -	FINISH -	APVD 10SEP2001 S. MANABE	SIZE A3
		PRODUCT SPEC 108-5765	CAGE CODE 00779
CUSTOMER DRAWING		APPLICATION SPEC -	DRAWING NO C-1473574
		WEIGHT -	RESTRICTED TO -
		SCALE 2:1	SHEET 1 OF 1
			REV P