



Chipsmall Limited consists of a professional team with an average of over 10 year of expertise in the distribution of electronic components. Based in Hongkong, we have already established firm and mutual-benefit business relationships with customers from,Europe,America and south Asia,supplying obsolete and hard-to-find components to meet their specific needs.

With the principle of "Quality Parts,Customers Priority,Honest Operation,and Considerate Service",our business mainly focus on the distribution of electronic components. Line cards we deal with include Microchip,ALPS,ROHM,Xilinx,Pulse,ON,Everlight and Freescale. Main products comprise IC,Modules,Potentiometer,IC Socket,Relay,Connector.Our parts cover such applications as commercial,industrial, and automotives areas.

We are looking forward to setting up business relationship with you and hope to provide you with the best service and solution. Let us make a better world for our industry!



Contact us

Tel: +86-755-8981 8866 Fax: +86-755-8427 6832

Email & Skype: info@chipsmall.com Web: www.chipsmall.com

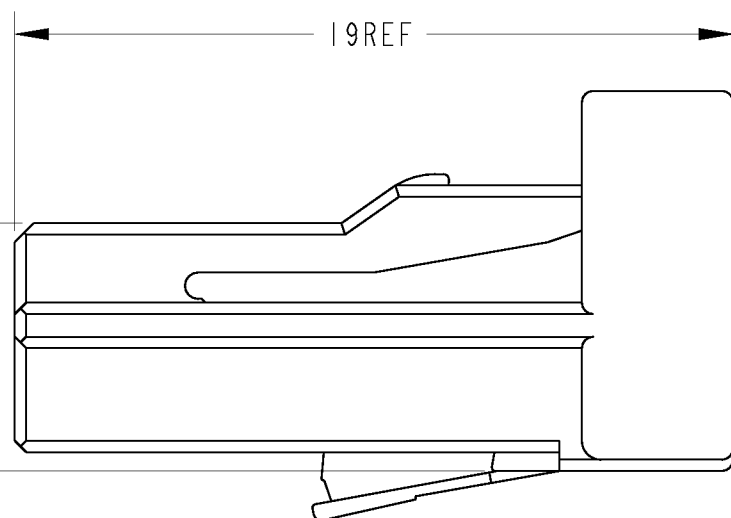
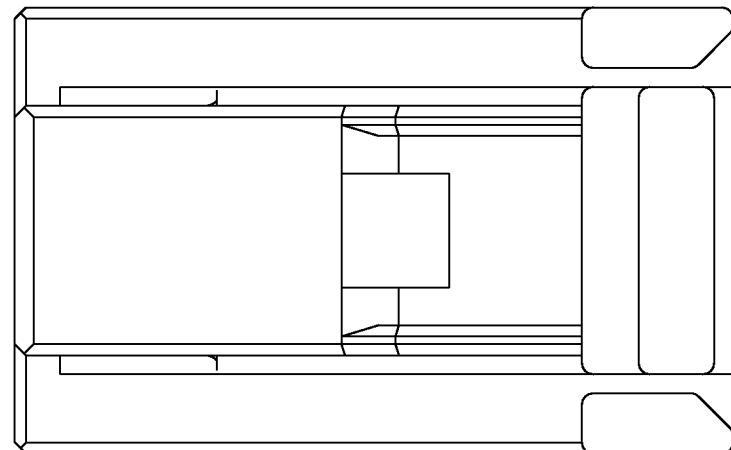
Address: A1208, Overseas Decoration Building, #122 Zhenhua RD., Futian, Shenzhen, China



THIS DRAWING IS UNPUBLISHED. RELEASED FOR PUBLICATION 20
 © COPYRIGHT 20 ALL RIGHTS RESERVED.

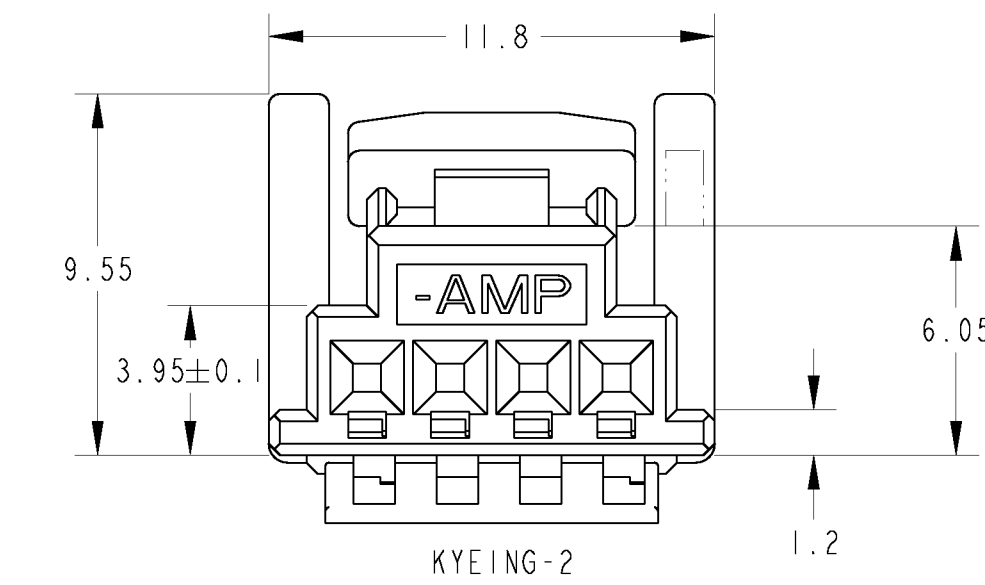
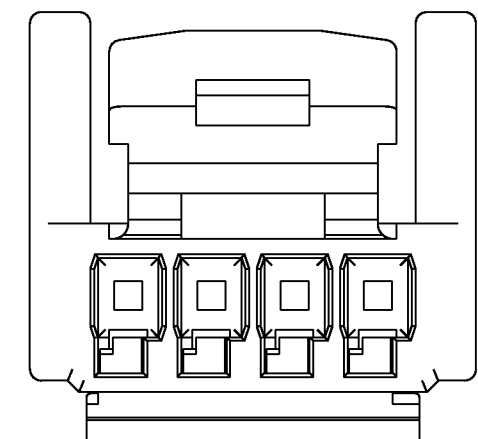
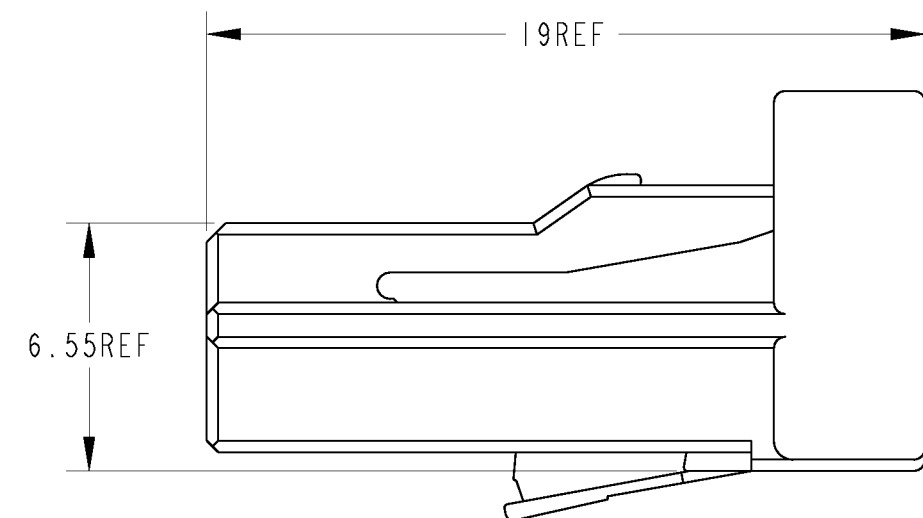
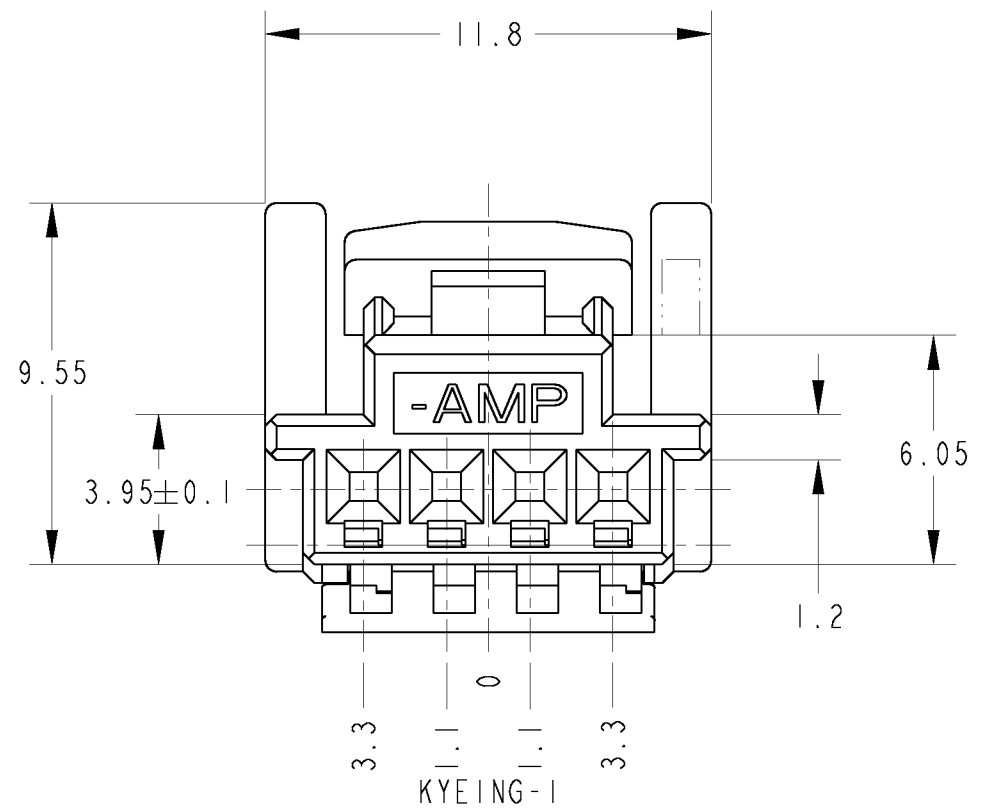
LOC J DIST -

REVISIONS				
P	LTR	DESCRIPTION	DATE	APVD
B	I	REVISED PER ECO-11-005140	05APR2011	RK HMR



1. DOUBLE LOCK SHOULD BE SET TO THE PRE-ASSEMBLY POSITION WITHIN THE PLUG HOUSING WHEN SHIPPED TO THE CUSTOMER

1. ダブルロックは、仮係止状態で出荷される。



KYEING-2	GRAY	1473672-2
KYEING-1	NATURAL	1473672-1
KYEING	COLOR	PART NUMBER

THIS DRAWING IS A CONTROLLED DOCUMENT.		DWN D. MATSUURA 20NOV01
DIMENSIONS: 単位: ㎜ mm		CHK T. KOHNO 20NOV01
TOLERANCES UNLESS OTHERWISE SPECIFIED: 一般公差 ±0.3		APVD N. SAI 20NOV01
0-PLC ±		PRODUCT SPEC 108-5660
1-PLC ±0.1		APPLICATION SPEC 取付適用規格
2-PLC ±0.01		WEIGHT 1.0 g
3-PLC ±0.001		CUSTOMER DRAWING
4-PLC ±0.0001		SCALE 5:1
ANGLES ±1.00'		SHEET 1 OF 1
MATERIAL 材料 PBT	FINISH 仕上 -	REV B1

STE TE Connectivity

NAME 025 4POSITION PLUG HOUSING

SIZE A3	CAGE CODE 00779	DRAWING NO. C=1473672	RESTRICTED TO -
---------	-----------------	-----------------------	-----------------