



Chipsmall Limited consists of a professional team with an average of over 10 year of expertise in the distribution of electronic components. Based in Hongkong, we have already established firm and mutual-benefit business relationships with customers from,Europe,America and south Asia,supplying obsolete and hard-to-find components to meet their specific needs.

With the principle of “Quality Parts,Customers Priority,Honest Operation,and Considerate Service”,our business mainly focus on the distribution of electronic components. Line cards we deal with include Microchip,ALPS,ROHM,Xilinx,Pulse,ON,Everlight and Freescale. Main products comprise IC,Modules,Potentiometer,IC Socket,Relay,Connector.Our parts cover such applications as commercial,industrial, and automotives areas.

We are looking forward to setting up business relationship with you and hope to provide you with the best service and solution. Let us make a better world for our industry!



## Contact us

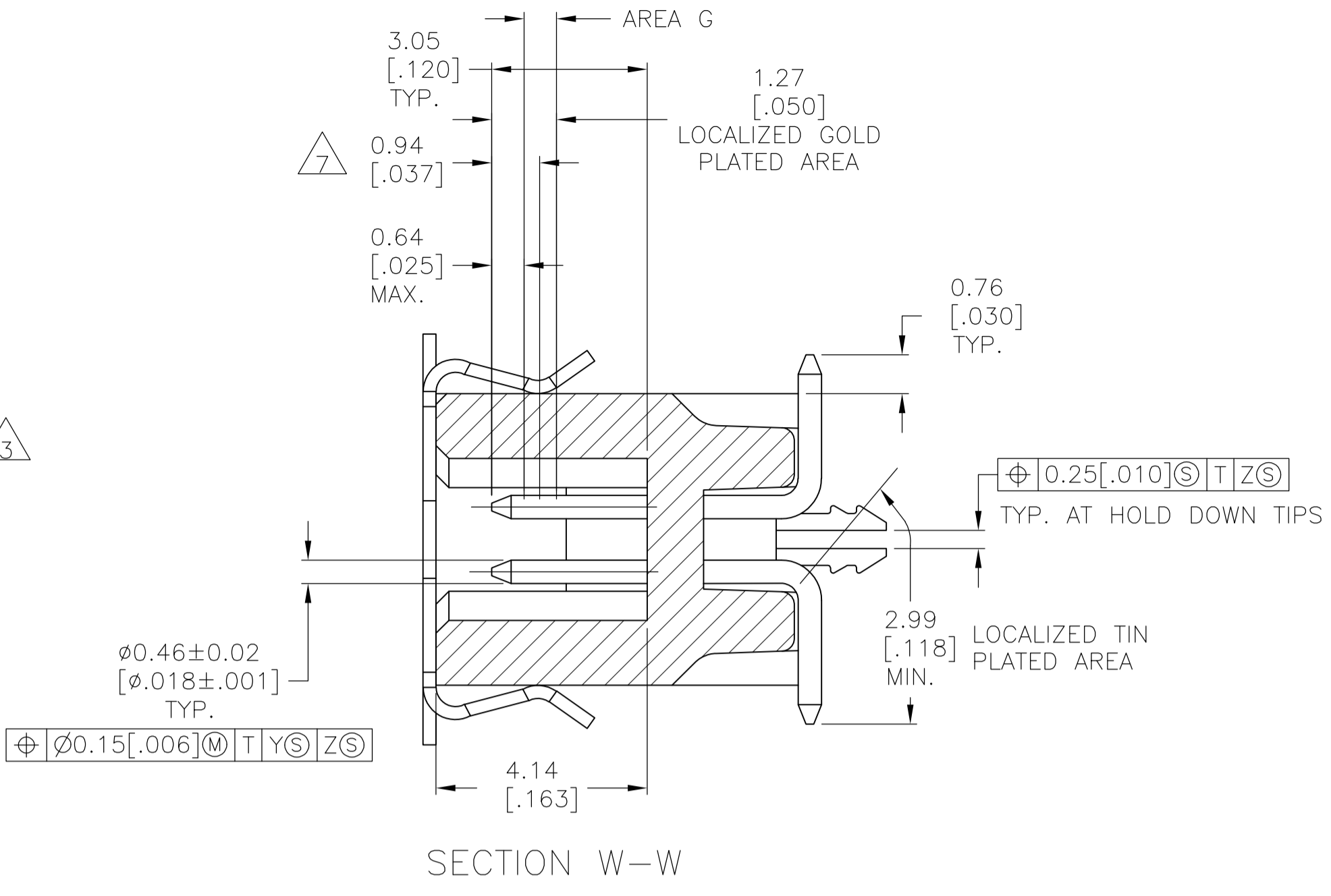
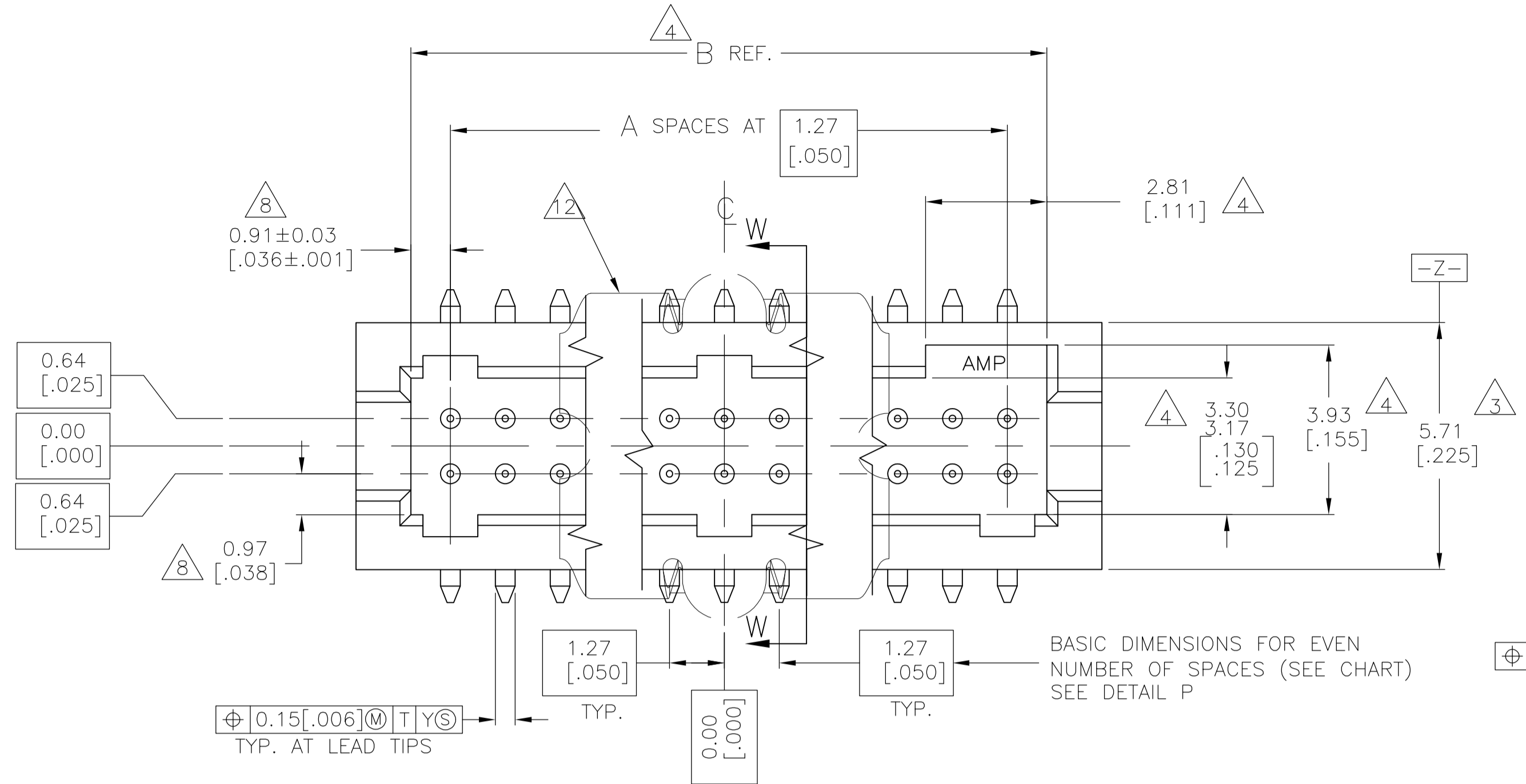
Tel: +86-755-8981 8866 Fax: +86-755-8427 6832

Email & Skype: info@chipsmall.com Web: www.chipsmall.com

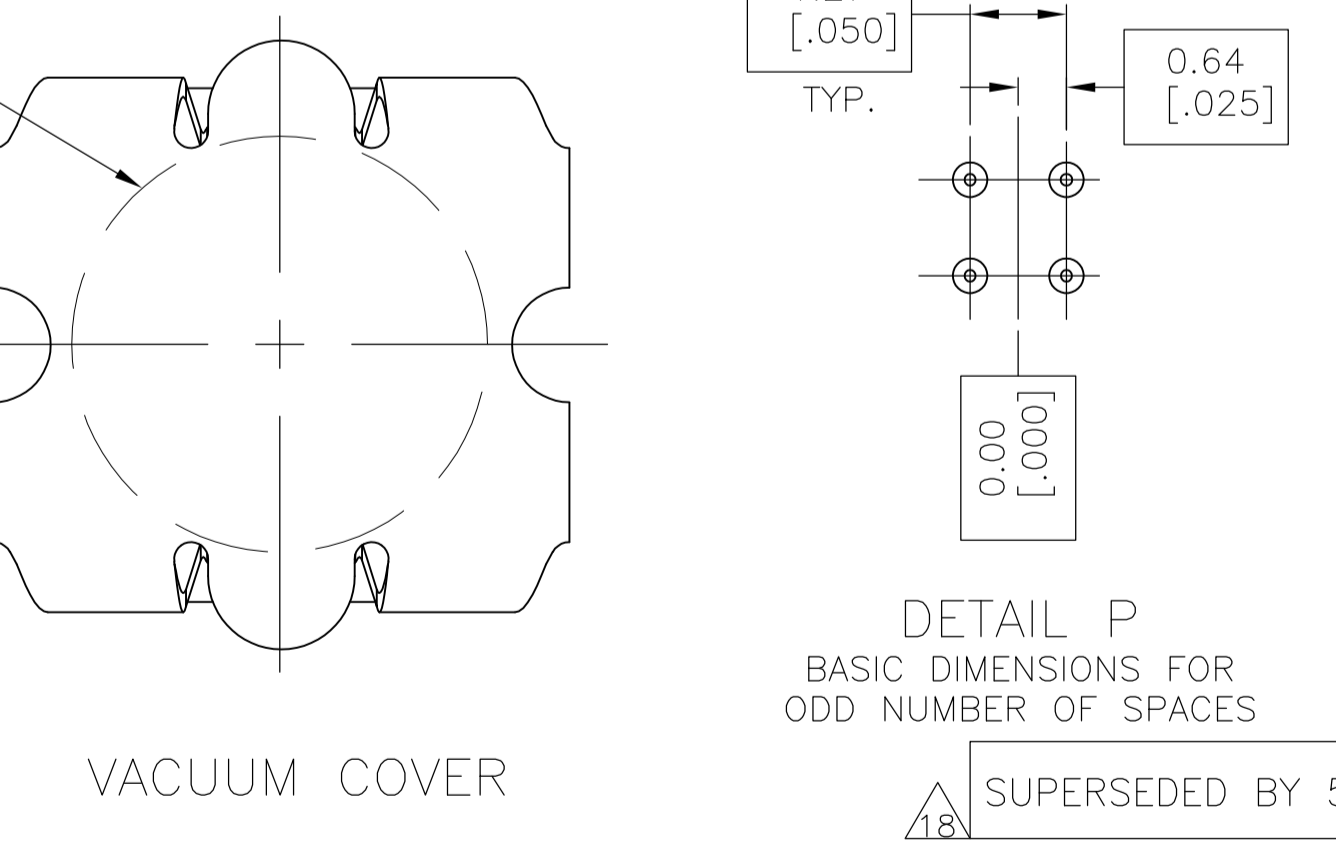
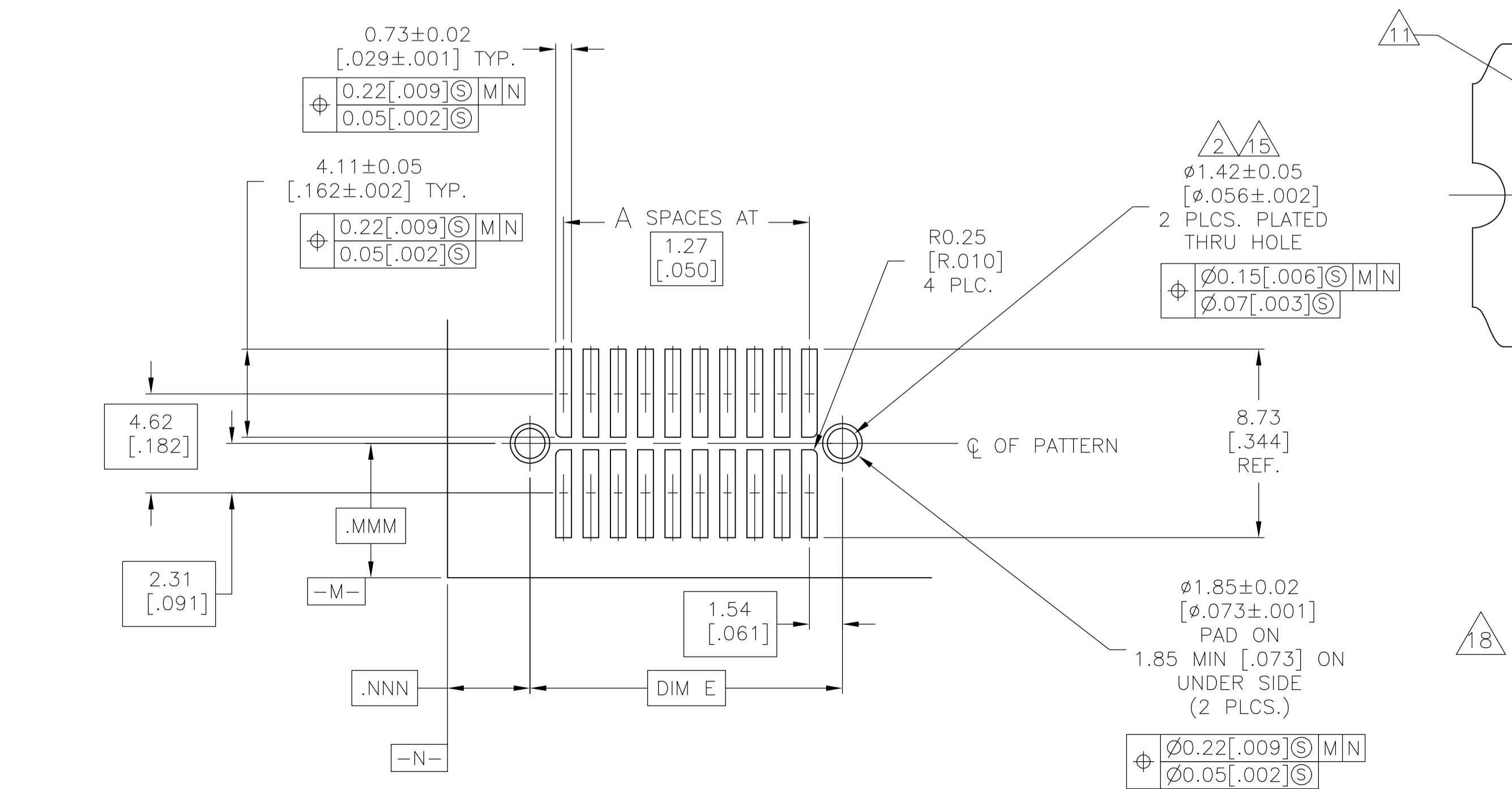
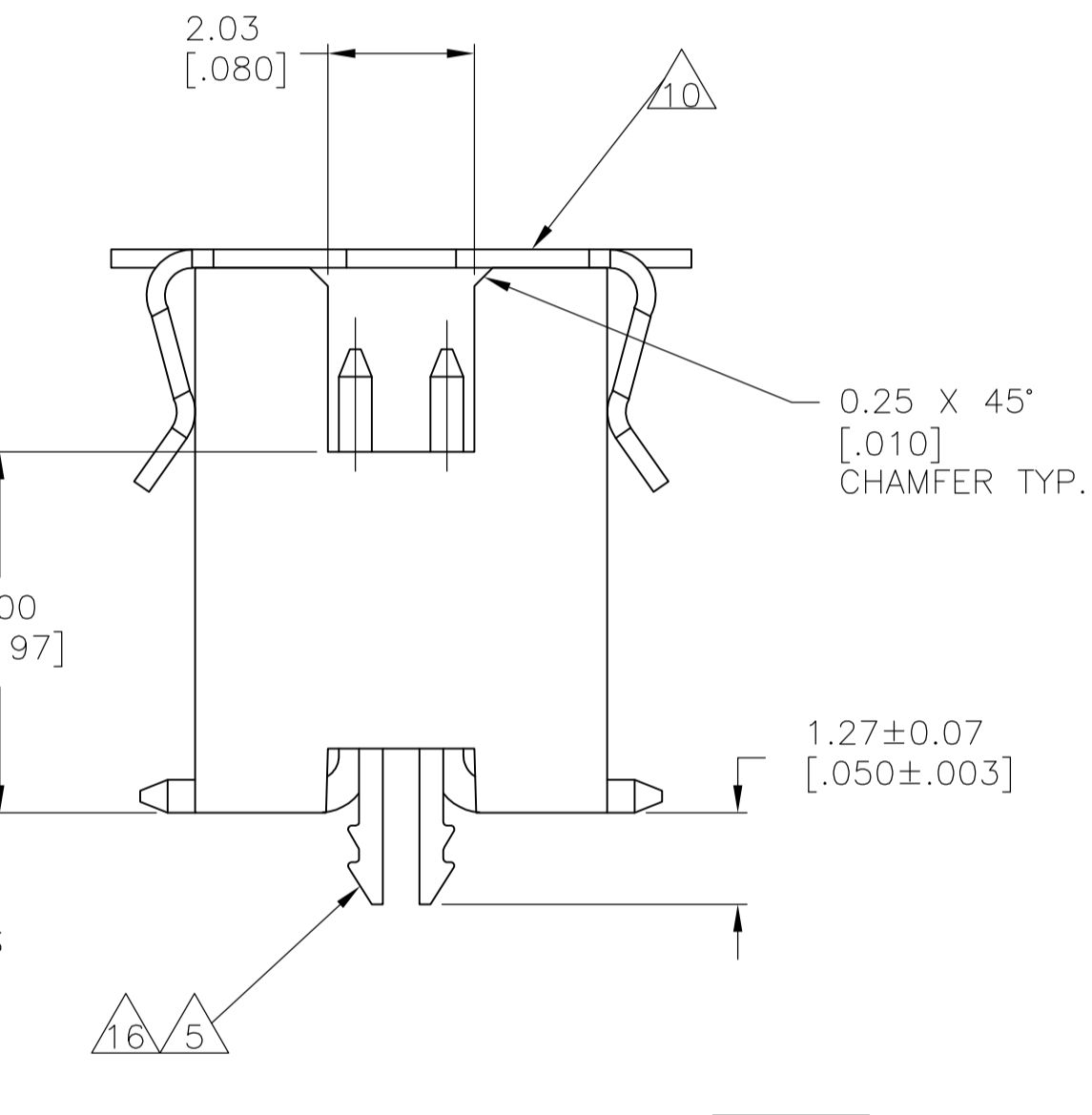
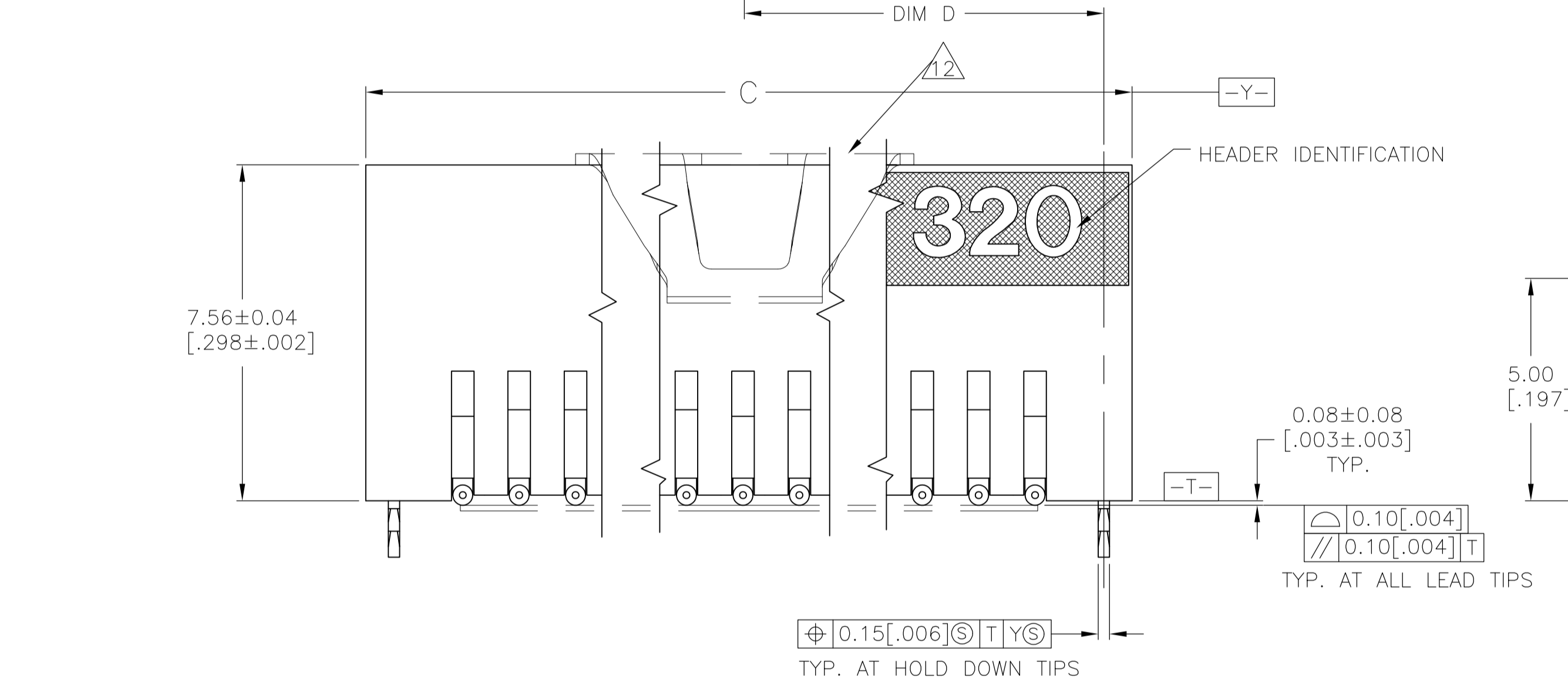
Address: A1208, Overseas Decoration Building, #122 Zhenhua RD., Futian, Shenzhen, China



| LOC | DIST | REVISIONS |             |               |         |     |      |
|-----|------|-----------|-------------|---------------|---------|-----|------|
| AD  | 00   | P         | LTR         | DESCRIPTION   | DATE    | DWN | APVD |
|     |      | C4        | REVISED PER | ECO-11-005027 | 11MAR11 | RK  | HMR  |



- 1. 0.00076(0.00030) GOLD AT POINT OF MEASUREMENT, 0.00051(0.00020) MIN AT THE END POINTS OF AREA G, (LOCALIZED GOLD PLATE AREA), 0.0038(0.00150) TIN-LEAD ON LOCALIZED TIN PLATED AREA, ALL OVER 0.0013(0.00050) NICKEL
- 2. USE 1.55±0.02 [0.160±.0010] DRILLED HOLE (1.55mm DRILL). FINISH TO BE TIN-LEAD OVER 0.02 [0.001] MIN COPPER.
- 3. DIMENSION APPLIES AT BASE OF SHROUD.
- 4. THE NOTED DIMENSIONS APPLY AT THE MATING FACE OF THE HOUSING.
- 5. 0.0038 [0.00150] TIN-LEAD ON HOLD DOWN, ALL OVER 0.0013 [0.00050] NICKEL.
- 6. IF PLANNING TO USE MORE THAN ONE MATING PAIR OF CONNECTORS TO INTERCONNECT 2 BOARDS, PLEASE REFER TO THE SPACING PARAGRAPH IN APPLICATION SPEC, #114-7010
- 7. POINT OF MEASUREMENT.
- 8. DIMENSIONS NOTED APPLY FROM THE BASIC DIMENSION LINE (NOT THE CIRCUIT CAVITY CENTER LINE) TO THE SURFACE INDICATED.
- 9. PACKAGED IN TAPE AND REEL PER EIA-481 SPECIFICATIONS, SEE CHART FOR TAPE WIDTHS.
- 10. VACUUM COVER DESIGNED FOR 4.0 [1.60] DIA. NOZZLE. VACUUM COVER TO BE REMOVED AFTER SOLDERING.
- 11. 5.5 [216] MIN TARGET AREA FOR VACUUM PICK-UP.
- 12. VACUUM COVER SHOWN IN PHANTOM LINE.
- 13. HOUSING: LCP, COLOR-BLACK.  
POST: PHOSPHOR BRONZE.  
HOLD DOWN: COPPER ALLOY  
VACUUM COVER: ALUMINUM.
- 14. 0.00076(0.00030) GOLD AT POINT OF MEASUREMENT, 0.00051(0.00020) MIN AT THE END POINTS OF AREA G, (LOCALIZED GOLD PLATE AREA), 0.0038(0.00150) TIN ON LOCALIZED TIN PLATED AREA, ALL OVER 0.0013(0.00050) NICKEL.
- 15. USE 1.55+/-0.02(0.0610+/-0.0010) DRILLED HOLE FINISH TO BE TIN OVER 0.02(0.001)MIN COPPER.
- 16. 0.0038(0.00150) TIN ON HOLDDOWN, ALL OVER .0013(0.00050) NICKEL.
- 17. ROHS 2002/95/EC COMPLIANT.



| FINISH | TAPE WIDTH | E    | D             | C             | B             | A             | NUMBER OF POSITIONS | PART NUMBER |            |
|--------|------------|------|---------------|---------------|---------------|---------------|---------------------|-------------|------------|
| 18, 17 | 14, 16     | 88mm | 65.33 [2.572] | 32.66 [1.286] | 66.59 [2.622] | 64.05 [2.522] | 49                  | 100         | 5-147382-9 |
| 18, 17 | 14, 16     | 72mm | 52.63 [2.072] | 26.31 [1.036] | 53.89 [2.122] | 51.35 [2.022] | 39                  | 80          | 5-147382-8 |
| 18, 17 | 14, 16     | 72mm | 46.28 [1.822] | 23.13 [0.911] | 47.54 [1.872] | 45.00 [1.772] | 34                  | 70          | 5-147382-7 |
| 18, 17 | 14, 16     | 56mm | 39.93 [1.572] | 19.96 [0.786] | 41.19 [1.622] | 38.65 [1.522] | 29                  | 60          | 5-147382-6 |
| 18, 17 | 14, 16     | 56mm | 33.58 [1.322] | 16.78 [0.661] | 34.84 [1.372] | 32.30 [1.272] | 24                  | 50          | 5-147382-5 |
| 17     | 14, 16     | 44mm | 27.23 [1.072] | 13.61 [0.536] | 28.49 [1.122] | 25.95 [1.022] | 19                  | 40          | 5-147382-4 |
| 17     | 14, 16     | 32mm | 20.88 [0.822] | 10.43 [0.411] | 22.14 [0.872] | 19.60 [0.772] | 14                  | 30          | 5-147382-3 |
| 17     | 14, 16     | 32mm | 14.53 [0.572] | 7.26 [0.286]  | 15.79 [0.622] | 13.25 [0.522] | 9                   | 20          | 5-147382-2 |
| 17     | 14, 16     | 24mm | 8.18 [0.322]  | 4.08 [0.161]  | 9.44 [0.372]  | 6.90 [0.272]  | 4                   | 10          | 5-147382-1 |
| 18     | 1, 5       | 88mm | 65.33 [2.572] | 32.66 [1.286] | 66.59 [2.622] | 64.05 [2.522] | 49                  | 100         | 147382-9   |
| 18     | 1, 5       | 72mm | 52.63 [2.072] | 26.31 [1.036] | 53.89 [2.122] | 51.35 [2.022] | 39                  | 80          | 147382-8   |
| 18     | 1, 5       | 72mm | 46.28 [1.822] | 23.13 [0.911] | 47.54 [1.872] | 45.00 [1.772] | 34                  | 70          | 147382-7   |
| 18     | 1, 5       | 56mm | 39.93 [1.572] | 19.96 [0.786] | 41.19 [1.622] | 38.65 [1.522] | 29                  | 60          | 147382-6   |
| 18     | 1, 5       | 56mm | 33.58 [1.322] | 16.78 [0.661] | 34.84 [1.372] | 32.30 [1.272] | 24                  | 50          | 147382-5   |
| 18     | 1, 5       | 44mm | 27.23 [1.072] | 13.61 [0.536] | 28.49 [1.122] | 25.95 [1.022] | 19                  | 40          | 147382-4   |
| 18     | 1, 5       | 32mm | 20.88 [0.822] | 10.43 [0.411] | 22.14 [0.872] | 19.60 [0.772] | 14                  | 30          | 147382-3   |
| 18     | 1, 5       | 32mm | 14.53 [0.572] | 7.26 [0.286]  | 15.79 [0.622] | 13.25 [0.522] | 9                   | 20          | 147382-2   |
| 18     | 1, 5       | 24mm | 8.18 [0.322]  | 4.08 [0.161]  | 9.44 [0.372]  | 6.90 [0.272]  | 4                   | 10          | 147382-1   |

18 OBSOLETE PARTS: OBSOLETE CIS STREAMLINING PER D.RENAUD/D.SINISI

THIS DRAWING IS A CONTROLLED DOCUMENT.

|                         |  |                        |                                |
|-------------------------|--|------------------------|--------------------------------|
| DIMENSIONS: mm (INCHES) | TOLERANCES UNLESS OTHERWISE SPECIFIED: | DIN B HAYMAKER 28JAN00 | TE Connectivity                |
| 0 PLC ± -               | 1 PLC ± -                              | CIK J. MOSIER 28JAN00  | NAME                           |
| 2 PLC ± -               | 3 PLC ± 0.13(0.005)                    | APVD J. MOSIER 28JAN00 | PRODUCT SPEC                   |
| 4 PLC ± -               | ANGLES ± -                             | APPLICATION SPEC       | 108-1332                       |
|                         |  | SIZE                   | 114-7010                       |
|                         |  | WEIGHT                 | 147382                         |
|                         |  | CUSTOMER DRAWING       | SCALE 10:1 SHEET 1 OF 1 REV C4 |