



Chipsmall Limited consists of a professional team with an average of over 10 year of expertise in the distribution of electronic components. Based in Hongkong, we have already established firm and mutual-benefit business relationships with customers from,Europe,America and south Asia,supplying obsolete and hard-to-find components to meet their specific needs.

With the principle of “Quality Parts,Customers Priority,Honest Operation,and Considerate Service”,our business mainly focus on the distribution of electronic components. Line cards we deal with include Microchip,ALPS,ROHM,Xilinx,Pulse,ON,Everlight and Freescale. Main products comprise IC,Modules,Potentiometer,IC Socket,Relay,Connector.Our parts cover such applications as commercial,industrial, and automotives areas.

We are looking forward to setting up business relationship with you and hope to provide you with the best service and solution. Let us make a better world for our industry!



Contact us

Tel: +86-755-8981 8866 Fax: +86-755-8427 6832

Email & Skype: info@chipsmall.com Web: www.chipsmall.com

Address: A1208, Overseas Decoration Building, #122 Zhenhua RD., Futian, Shenzhen, China



THIS DRAWING IS UNPUBLISHED. RELEASED FOR PUBLICATION 20
 © COPYRIGHT 20 BY TYCO ELECTRONICS CORPORATION. ALL RIGHTS RESERVED.

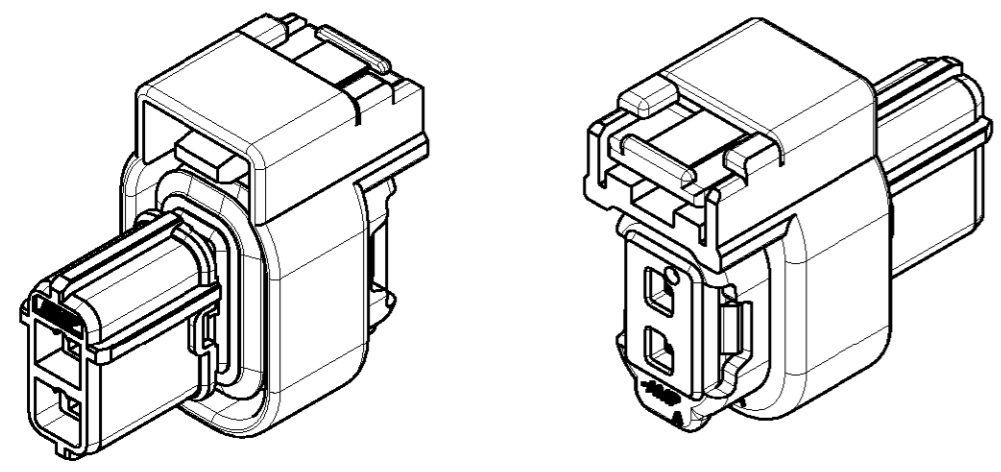
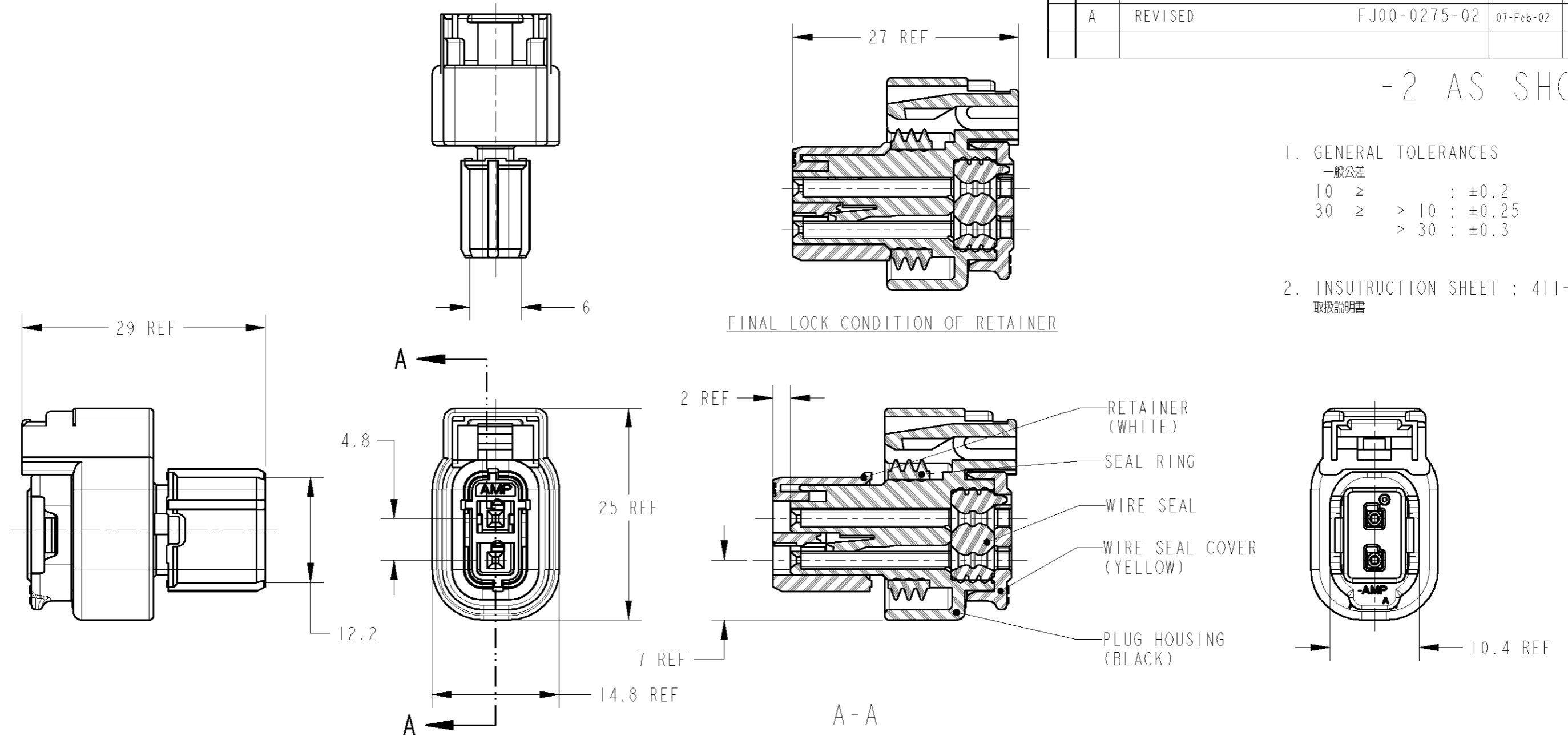
LOC	DIST	REVISIONS						
		P	LTR	DESCRIPTION	ECN	DATE	DWN	APVD
J	-	0		RELEASED	FJ00-2574-01	01-Nov-01	Y.F	K.A
		01		REVISED	FJ00-0174-02	29-Jan-02	Y.N	K.A
		A		REVISED	FJ00-0275-02	07-Feb-02	Y.F	K.A

- 2 AS SHOWN

1. GENERAL TOLERANCES
 一般公差
 10 ≥ : ±0.2
 30 ≥ > 10 : ±0.25
 > 30 : ±0.3

2. INSUTRUCION SHEET : 411-78021
 取扱説明書

FINAL LOCK CONDITION OF RETAINER



THIS DRAWING IS A CONTROLLED DOCUMENT FOR TYCO ELECTRONICS CORPORATION
 IT IS SUBJECT TO CHANGE AND THE CONTROLLING ENGINEERING ORGANIZATION
 SHOULD BE CONTACTED FOR THE LATEST REVISION.

DIMENSIONS: 単位: 毫 mm	TOLERANCES UNLESS OTHERWISE SPECIFIED: 一般公差 0 PLC ± 1 PLC ±0.5 2 PLC ±0.13 3 PLC ±0.013 4 PLC ±0.0001 ANGLES ±3°00'
----------------------------	---

MATERIAL PBT FINISH BLACK

DWN Y. FUJIWARA 01NOV01
 CHK Y. NOGUCHI 01NOV01
 APVD K. ASAI 01NOV01
 PRODUCT SPEC 108-5763
 APPLICATION SPEC 114-5278
 WEIGHT 4.5g

WIRE RANGE 包含電線断面積	0.3~0.5 SQ	INSULATION DIA 被覆外径	1.4~1.7 DIA
tyco Electronics		Tyco Electronics AMP K.K. Kawasaki, Japan	
NAME 名称 PLUG HOUSING ASSY 2 POS (A) CLEAN BODY 025 CONNECTOR			
SIZE	CAGE CODE	DRAWING NO 番号	RESTRICTED TO
A3	00779	1473845	
CUSTOMER DRAWING		SCALE 尺度	SHEET OF REV
		2:1	1 OF 1 A