



Chipsmall Limited consists of a professional team with an average of over 10 year of expertise in the distribution of electronic components. Based in Hongkong, we have already established firm and mutual-benefit business relationships with customers from,Europe,America and south Asia,supplying obsolete and hard-to-find components to meet their specific needs.

With the principle of “Quality Parts,Customers Priority,Honest Operation,and Considerate Service”,our business mainly focus on the distribution of electronic components. Line cards we deal with include Microchip,ALPS,ROHM,Xilinx,Pulse,ON,Everlight and Freescale. Main products comprise IC,Modules,Potentiometer,IC Socket,Relay,Connector.Our parts cover such applications as commercial,industrial, and automotives areas.

We are looking forward to setting up business relationship with you and hope to provide you with the best service and solution. Let us make a better world for our industry!



Contact us

Tel: +86-755-8981 8866 Fax: +86-755-8427 6832

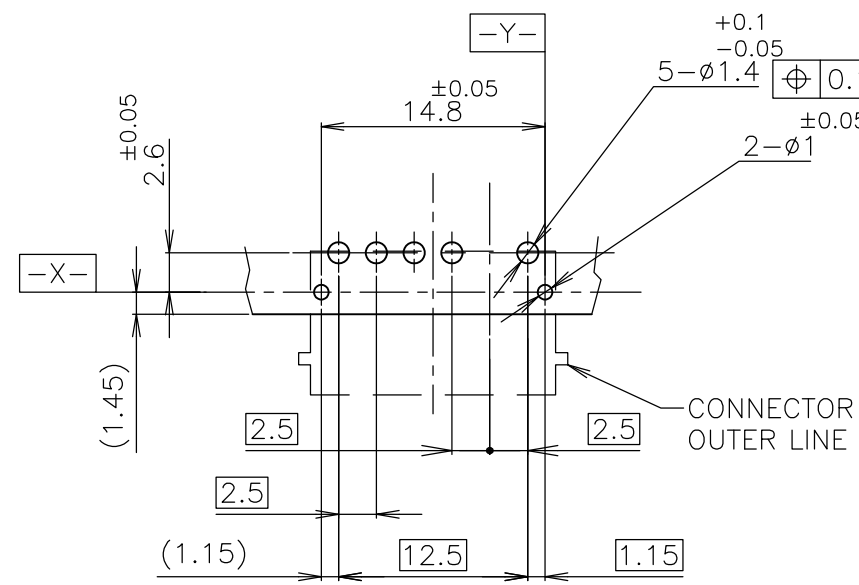
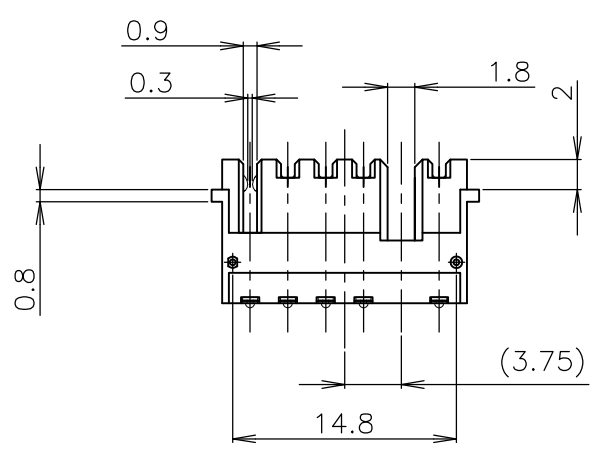
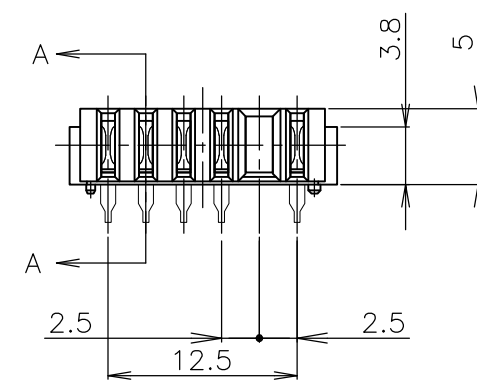
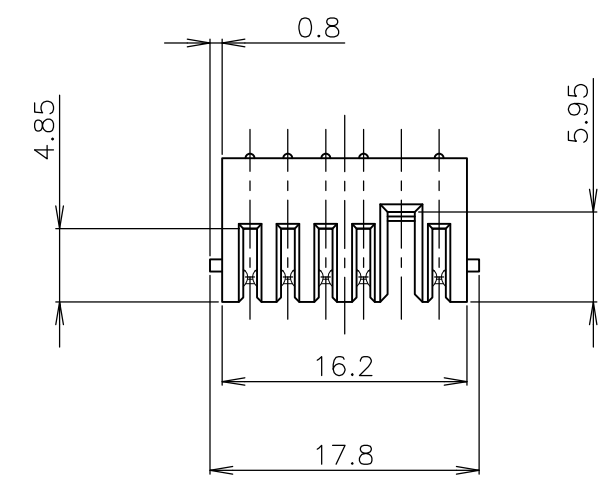
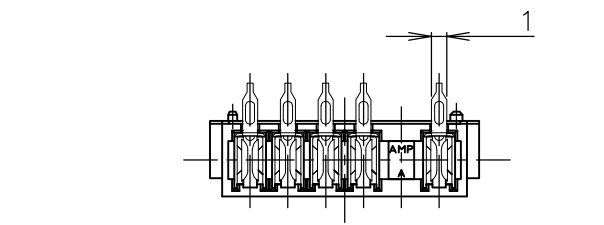
Email & Skype: info@chipsmall.com Web: www.chipsmall.com

Address: A1208, Overseas Decoration Building, #122 Zhenhua RD., Futian, Shenzhen, China

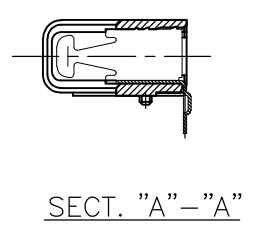
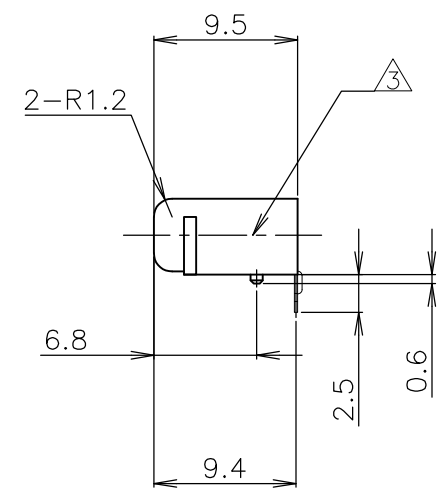


THIS DRAWING IS UNPUBLISHED. RELEASED FOR PUBLICATION 2001.
 © COPYRIGHT 2001 Tyco Electronics Japan G.K. ALL RIGHTS RESERVED.

LOC	DIST	REVISIONS			
P	LTR	DESCRIPTION	DATE	DWN	APVD
J		C1	REVISD (ECR-14-017817)	24FEB2015	E.L V.P
		-	-	-	-
		-	-	-	-
		-	-	-	-



基板取付推奨寸法
 RECOMMENDED P.C.BOARD LAYOUT
 P.C.BOARD THK 0.8~1.2
 (VIEW FROM CONNECTOR MOUNTING SIDE)



注記

- ① 材料 ハウジング : 熱可塑性樹脂 UL94V-0
色 ; 黒
コンタクト : 銅合金
- ② 仕上げ コンタクト : Ni 下地めっき
半田付け部 Sn めっき (半光沢)
接触部 Au めっき
- ③ 指示する位置にレーザーマーキング有り

NOTES

- ① MATERIAL HOUSING : THERMOPLASTIC RESIN, UL94V-0
COLOR ; BLACK
CONTACT : COPPER ALLOY
- ② FINISH CONTACT : Ni ALL OVER UNDER PL
Sn PLATE(MATTE) AT LEAD AREA
Au PL. AT CONTACT AREA
- ③ LASER MARKING TO THIS POSITION

1473971-2 :AS SHOW

THIS DRAWING IS A CONTROLLED DOCUMENT.		DWN M.IWASAKI 07AUG01	TE Connectivity	
		CHK T.KUSUHARA 07AUG01		
		APVD I.ENOMOTO 07AUG01	NAME	
		PRODUCT SPEC 108-5783	RECEPTACLE ASSEMBLY FOR 2.5mm PITCH 2ND BATTERY CONNECTOR	
		APPLICATION SPEC	SIZE A3	CAGE CODE 00779
		WEIGHT	DRAWING NO C-1473971	RESTRICTED TO
MATERIAL ①		FINISH ②	CUSTOMER DRAWING	
		SCALE 2:1	SHEET 1 OF 1	REV C1