



Chipsmall Limited consists of a professional team with an average of over 10 year of expertise in the distribution of electronic components. Based in Hongkong, we have already established firm and mutual-benefit business relationships with customers from,Europe,America and south Asia,supplying obsolete and hard-to-find components to meet their specific needs.

With the principle of “Quality Parts,Customers Priority,Honest Operation,and Considerate Service”,our business mainly focus on the distribution of electronic components. Line cards we deal with include Microchip,ALPS,ROHM,Xilinx,Pulse,ON,Everlight and Freescale. Main products comprise IC,Modules,Potentiometer,IC Socket,Relay,Connector.Our parts cover such applications as commercial,industrial, and automotives areas.

We are looking forward to setting up business relationship with you and hope to provide you with the best service and solution. Let us make a better world for our industry!



Contact us

Tel: +86-755-8981 8866 Fax: +86-755-8427 6832

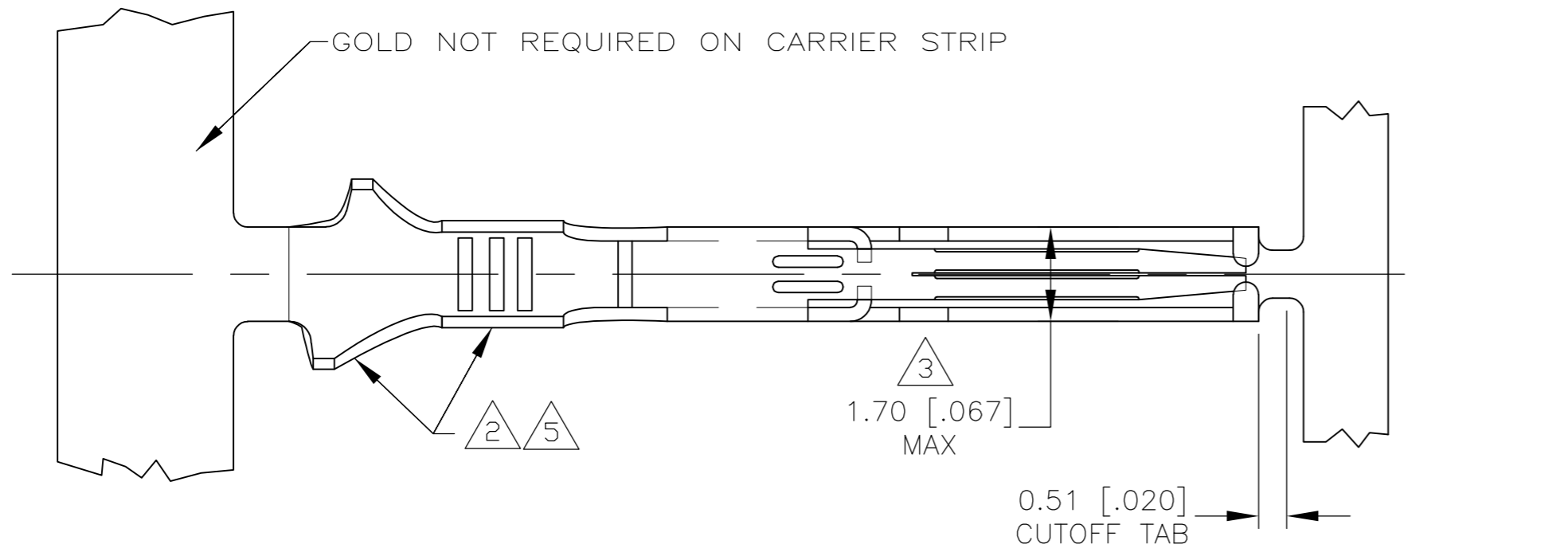
Email & Skype: info@chipsmall.com Web: www.chipsmall.com

Address: A1208, Overseas Decoration Building, #122 Zhenhua RD., Futian, Shenzhen, China

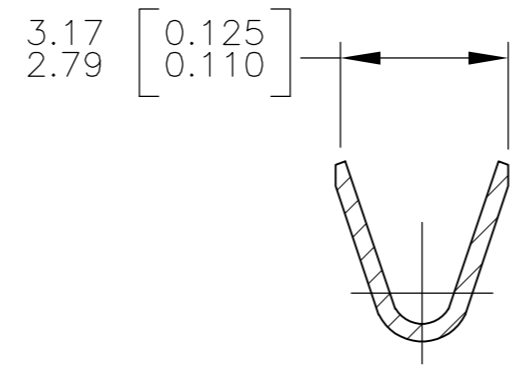
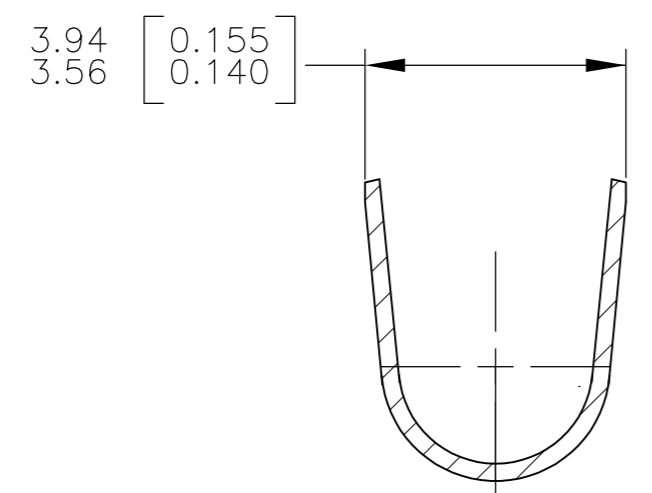
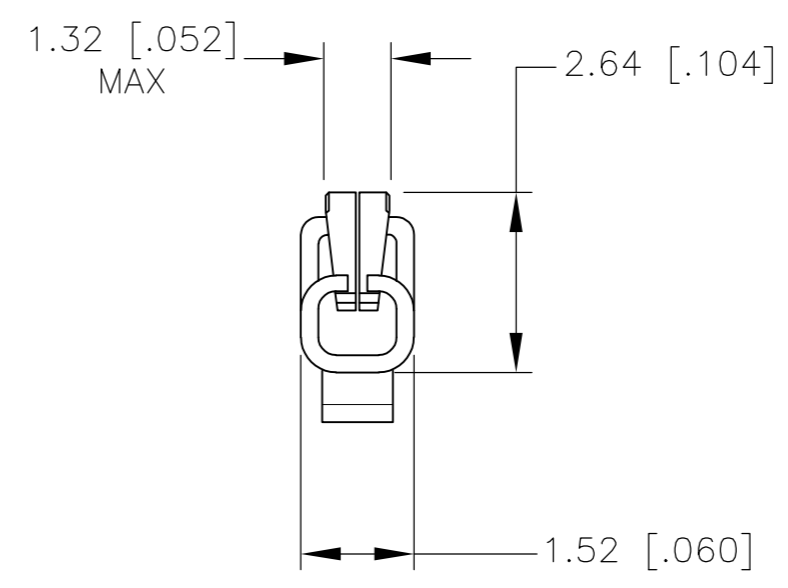
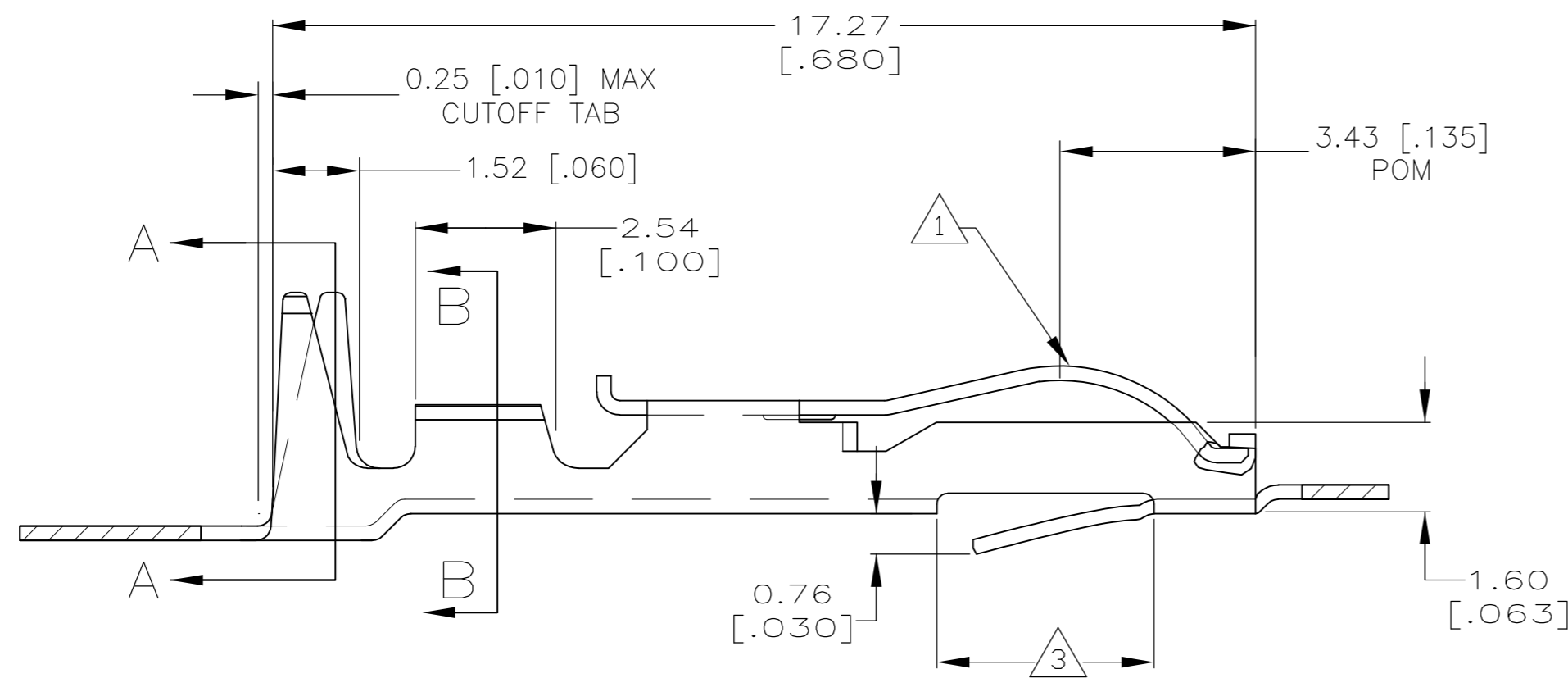


THIS DRAWING IS UNPUBLISHED. RELEASED FOR PUBLICATION
 © COPYRIGHT BY TYCO ELECTRONICS CORPORATION. ALL RIGHTS RESERVED.

LOC	DIST	REVISIONS					
GP	00	P	LTR	DESCRIPTION	DATE	DWN	APVD
		F		ADDED 9--0 PER EC 0S12-0217-03	12MAY03	AWF	AWF
		F1		REVISED PER ECO-09-020689	25AUG09	KK	AEG



- 1 0.76µm [.000030] MIN GOLD OVER 0.76µm [.000030] MIN NICKEL IN CONTACT AREA.
- 2 TIN-LEAD IN CRIMP AREA.
- 3 .067 MAX ALLOWED IN LOCKING LANCE AREA.
- 4 REEL QUANTITY = 7000 PIECES.
- 5 TIN PLATE IN CRIMP AREA.
- 6 OBSOLETE PARTS: OBSOLETE CIS STREAMLINING PER D.RENAUD/D.SINISI



SECTION A-A
 INSULATION RANGE
 .100-.121 DIA

SECTION B-B
 WIRE RANGE
 #20-16

6 SUPERSEDED 1 5 9-147431-0

1 2 147431-2
 FINISH PART

THIS DRAWING IS A CONTROLLED DOCUMENT.		DWN A.STAUB BG 31JUL00	Tyco Electronics Corporation Harrisburg, PA, 17105	
DIMENSIONS: INCHES		CHK M.MILLER 08 MAR 00	NAME M.MILLER 08 MAR 00	
TOLERANCES UNLESS OTHERWISE SPECIFIED:		APVD M.MILLER 08 MAR 00	PRODUCT SPEC	
0 PLC ± -		APPLICATION SPEC		
1 PLC ± -		SIZE A2		
2 PLC ± 0.13 [.005]		CAGE CODE 00779		
3 PLC ± -		DRAWING NO C=147431		
4 PLC ± -		RESTRICTED TO -		
ANGLES ± -		SCALE 10:1		
FINISH		SHEET 1 OF 1		
MATERIAL COPPER ALLOY		REV F1		
CUSTOMER DRAWING				