



Chipsmall Limited consists of a professional team with an average of over 10 year of expertise in the distribution of electronic components. Based in Hongkong, we have already established firm and mutual-benefit business relationships with customers from,Europe,America and south Asia,supplying obsolete and hard-to-find components to meet their specific needs.

With the principle of “Quality Parts,Customers Priority,Honest Operation,and Considerate Service”,our business mainly focus on the distribution of electronic components. Line cards we deal with include Microchip,ALPS,ROHM,Xilinx,Pulse,ON,Everlight and Freescale. Main products comprise IC,Modules,Potentiometer,IC Socket,Relay,Connector.Our parts cover such applications as commercial,industrial, and automotives areas.

We are looking forward to setting up business relationship with you and hope to provide you with the best service and solution. Let us make a better world for our industry!



## Contact us

Tel: +86-755-8981 8866 Fax: +86-755-8427 6832

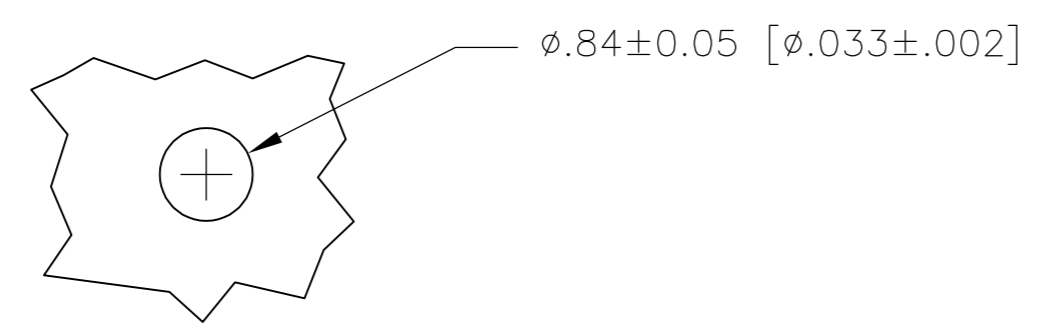
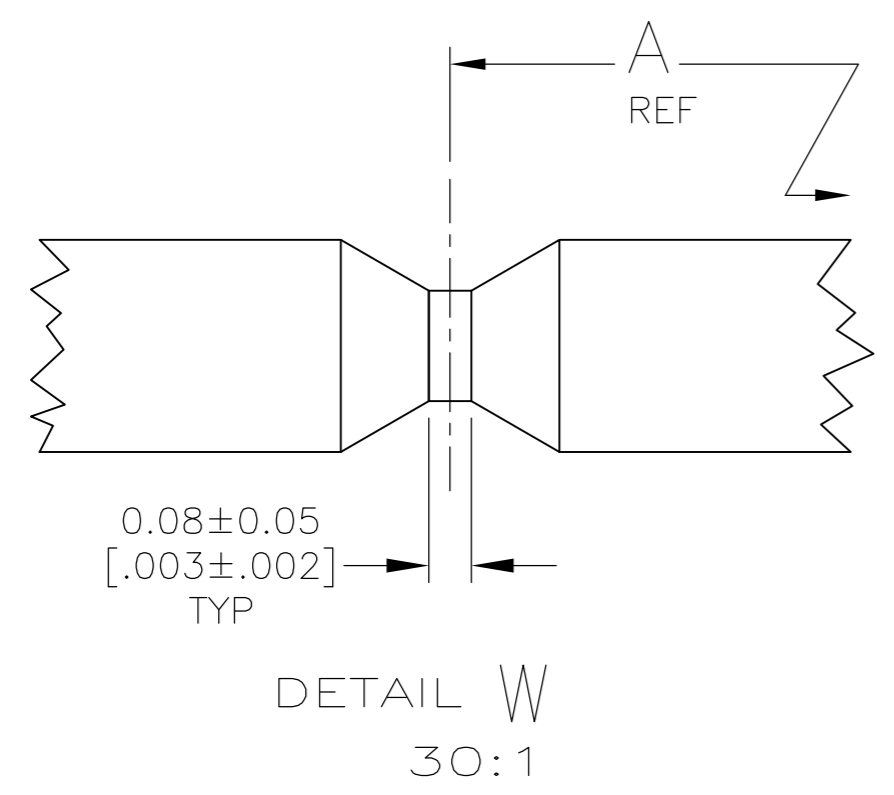
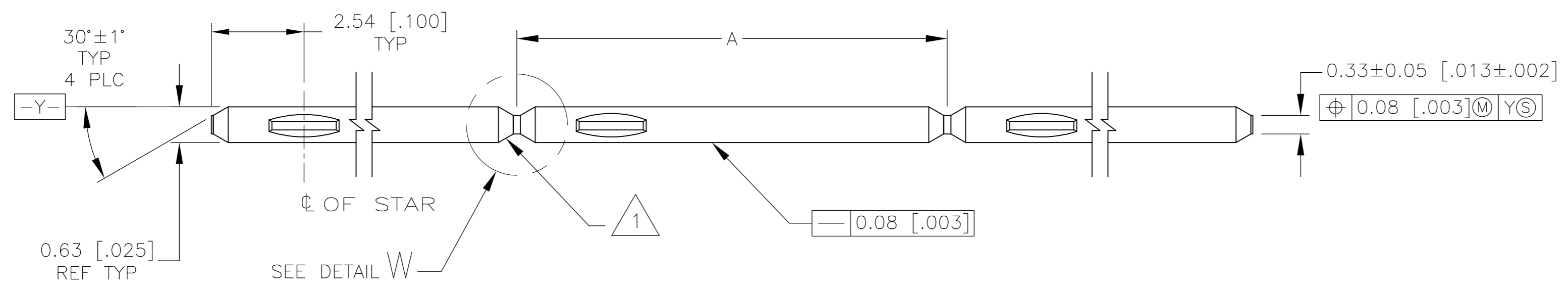
Email & Skype: info@chipsmall.com Web: www.chipsmall.com

Address: A1208, Overseas Decoration Building, #122 Zhenhua RD., Futian, Shenzhen, China



LOC	DIST	REVISIONS			
P	LTR	DESCRIPTION	DATE	DWN	APVD
D		ECO-07-021031	11SEP07	MB	JG
D1		REVISED PER ECO-09-020689	25AUG09	KK	AEG

- 1 THE NOTCHED EDGES AND POST TIPS WILL NOT BE PLATED.
- 2 0.00254-0.00508 [.000100-.000200] MATTE TIN OVER 0.00127 [.000050] MIN NICKEL.
- 3 OBSOLETE PARTS: OBSOLETE CIS STREAMLINING PER D.RENAUD/D.SINISI



RECOMMENDED TIN PLATED HOLE SIZE

25.40	[1.000]	6-147433-1
25.15	[.990]	6-147433-0
24.89	[.980]	5-147433-9
24.64	[.970]	5-147433-8
24.38	[.960]	5-147433-7
24.13	[.950]	5-147433-6
23.88	[.940]	5-147433-5
23.62	[.930]	5-147433-4
23.37	[.920]	5-147433-3
23.11	[.910]	5-147433-2
22.86	[.900]	5-147433-1
22.61	[.890]	5-147433-0
22.35	[.880]	4-147433-9
22.10	[.870]	4-147433-8
21.84	[.860]	4-147433-7
21.59	[.850]	4-147433-6
21.34	[.840]	4-147433-5
21.08	[.830]	4-147433-4
20.83	[.820]	4-147433-3
20.57	[.810]	4-147433-2
20.32	[.800]	4-147433-1
20.07	[.790]	4-147433-0
19.81	[.780]	3-147433-9
19.56	[.770]	3-147433-8
19.30	[.760]	3-147433-7
19.05	[.750]	3-147433-6
18.80	[.740]	3-147433-5
18.54	[.730]	3-147433-4
18.28	[.720]	3-147433-3
18.03	[.710]	3-147433-2
17.78	[.700]	3-147433-1
17.53	[.690]	3-147433-0
17.27	[.680]	2-147433-9
17.02	[.670]	2-147433-8
16.76	[.660]	2-147433-7
16.51	[.650]	2-147433-6
16.26	[.640]	2-147433-5
16.00	[.630]	2-147433-4
15.75	[.620]	2-147433-3
15.49	[.610]	2-147433-2
15.24	[.600]	2-147433-1
14.99	[.590]	2-147433-0
14.73	[.580]	1-147433-9
14.48	[.570]	1-147433-8
14.22	[.560]	1-147433-7
13.97	[.550]	1-147433-6
13.72	[.540]	1-147433-5
13.46	[.530]	1-147433-4
13.21	[.520]	1-147433-3
12.95	[.510]	1-147433-2
12.70	[.500]	1-147433-1
12.45	[.490]	1-147433-0
12.19	[.480]	147433-9
11.94	[.470]	147433-8
11.68	[.460]	147433-7
11.43	[.450]	147433-6
11.18	[.440]	147433-5
10.92	[.430]	147433-4
10.67	[.420]	147433-3
10.41	[.410]	147433-2
10.16	[.400]	147433-1

OBSOLETE  
 3  
 OBSOLETE  
 3

THIS DRAWING IS A CONTROLLED DOCUMENT.		DWN B. HAYMAKER 07JUL00	Tyco Electronics Corporation Harrisburg, PA 17105-3608	
DIMENSIONS: INCHES		CHK J. GESFORD 07JUL00	NAME .025 SQUARE CONTINUOUS POST WITH STAR FEATURE	
TOLERANCES UNLESS OTHERWISE SPECIFIED:		APVD J. GESFORD 07JUL00	RESTRICTED TO	
0 PLC	± -	PRODUCT SPEC	SIZE	CAGE CODE
1 PLC	± -	APPLICATION SPEC	A2	00779
2 PLC	± -	114-13011	DRAWING NO	C-147433
3 PLC	± 0.13[.005]	WEIGHT	SCALE	15:1
4 PLC	± -	CUSTOMER DRAWING	SHEET	1 of 1
ANGLES	± -		REV	D1
FINISH	- 2			