



Chipsmall Limited consists of a professional team with an average of over 10 year of expertise in the distribution of electronic components. Based in Hongkong, we have already established firm and mutual-benefit business relationships with customers from,Europe,America and south Asia,supplying obsolete and hard-to-find components to meet their specific needs.

With the principle of "Quality Parts,Customers Priority,Honest Operation,and Considerate Service",our business mainly focus on the distribution of electronic components. Line cards we deal with include Microchip,ALPS,ROHM,Xilinx,Pulse,ON,Everlight and Freescale. Main products comprise IC,Modules,Potentiometer,IC Socket,Relay,Connector.Our parts cover such applications as commercial,industrial, and automotives areas.

We are looking forward to setting up business relationship with you and hope to provide you with the best service and solution. Let us make a better world for our industry!



## Contact us

Tel: +86-755-8981 8866 Fax: +86-755-8427 6832

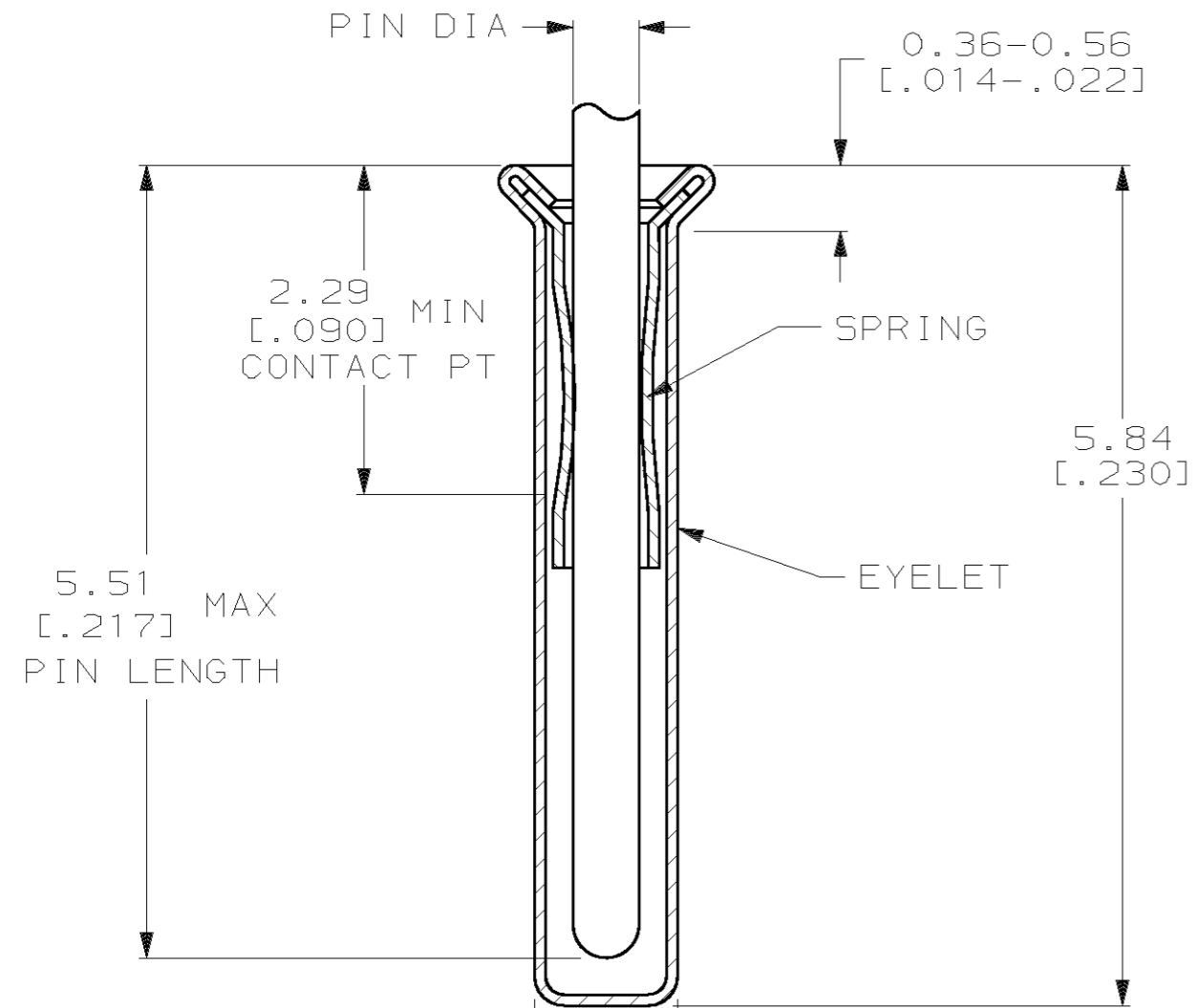
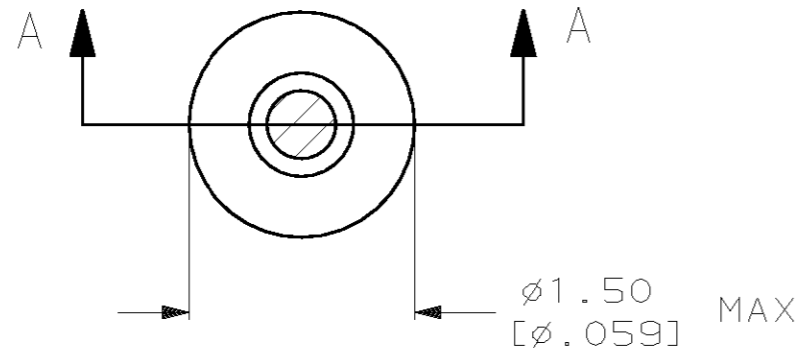
Email & Skype: info@chipsmall.com Web: www.chipsmall.com

Address: A1208, Overseas Decoration Building, #122 Zhenhua RD., Futian, Shenzhen, China



THIS DRAWING IS UNPUBLISHED. RELEASED FOR PUBLICATION, 19 .  
 © COPYRIGHT 19 BY AMP INCORPORATED. ALL RIGHTS RESERVED.

LOC	DIST	REVISIONS			
P	LTR	DESCRIPTION	DATE	DWN	APVD
AD	0	0	REV PER 063C-0214-00	18MAY00	BH HW



- 1 SPRING: BERYLLIUM COPPER PER QQ-C-533.  
EYELET: COPPER PER QQ-C-576.
- 2 GOLD PER MIL-G-45204, TYPE II, 0.00076 [.000030] MIN THK OVER NICKEL PER QQ-N-290 0.00028 [.000011] MIN THK ON CONTACT AREA.
- 3 GOLD FLASH PER MIL-G-45204, TYPE II, 0.13µm [.000005] MIN THK. OVER NICKEL PLATE PER QQ-N-290 0.51µm-1.52µm [.000020-.000060] EXT THK.
- 4. RECOMMENDED HOLE SIZE, PLATED OR UNPLATED:  
HAND INSERTION: 1.02 <sup>+0.10</sup>/<sub>-0.00</sub> [.040 <sup>+0.004</sup>/<sub>-.000</sub>]
- 5 TO INSURE PROPER SPRING TENSION DO NOT EXCEED A 0.10 [.004] DIFFERENCE IN PIN DIA WHEN CHANGING TO A SMALLER PIN.

CLOSED	0.33-0.51 [.013-.020]	GOLD 3	GOLD 2	147444-1
BOTTOM TYPE	RECOMMENDED PIN DIA 5	EYELET	SPRING	PART NUMBER
FINISH				

Ø0.97 <sup>+0.05</sup>/<sub>-0.03</sub>  
 [Ø.038 <sup>+0.002</sup>/<sub>-.001</sub>]

SECTION A-A

THIS DRAWING IS A CONTROLLED DOCUMENT.

DIMENSIONS: mm [INCHES]	TOLERANCES UNLESS OTHERWISE SPECIFIED:	DWN R. TALLEY 04 APR 00	AMP Incorporated Harrisburg, PA 17105-3608	
	0 PLC ±- 1 PLC ±- 2 PLC ±0.20 [.008] 3 PLC ±- 4 PLC ±- ANGLES ±-	CHK W. WYNKOOP 04 APR 00	NAME	
		APVD W. WYNKOOP 04 APR 00	SOCKET ASSEMBLY, SERIES 1, MINIATURE SPRING SOCKET	
MATERIAL 1	FINISH SEE TABLE	PRODUCT SPEC	SIZE	CAGE CODE
		APPLICATION SPEC	DRAWING NO	
		WEIGHT	RESTRICTED TO	
CUSTOMER DRAWING		A3 00779 C- 147444		
		SCALE	SHEET	REV
		20:1	1 OF 1	0