



Chipsmall Limited consists of a professional team with an average of over 10 year of expertise in the distribution of electronic components. Based in Hongkong, we have already established firm and mutual-benefit business relationships with customers from,Europe,America and south Asia,supplying obsolete and hard-to-find components to meet their specific needs.

With the principle of “Quality Parts,Customers Priority,Honest Operation,and Considerate Service”,our business mainly focus on the distribution of electronic components. Line cards we deal with include Microchip,ALPS,ROHM,Xilinx,Pulse,ON,Everlight and Freescale. Main products comprise IC,Modules,Potentiometer,IC Socket,Relay,Connector.Our parts cover such applications as commercial,industrial, and automotives areas.

We are looking forward to setting up business relationship with you and hope to provide you with the best service and solution. Let us make a better world for our industry!



Contact us

Tel: +86-755-8981 8866 Fax: +86-755-8427 6832

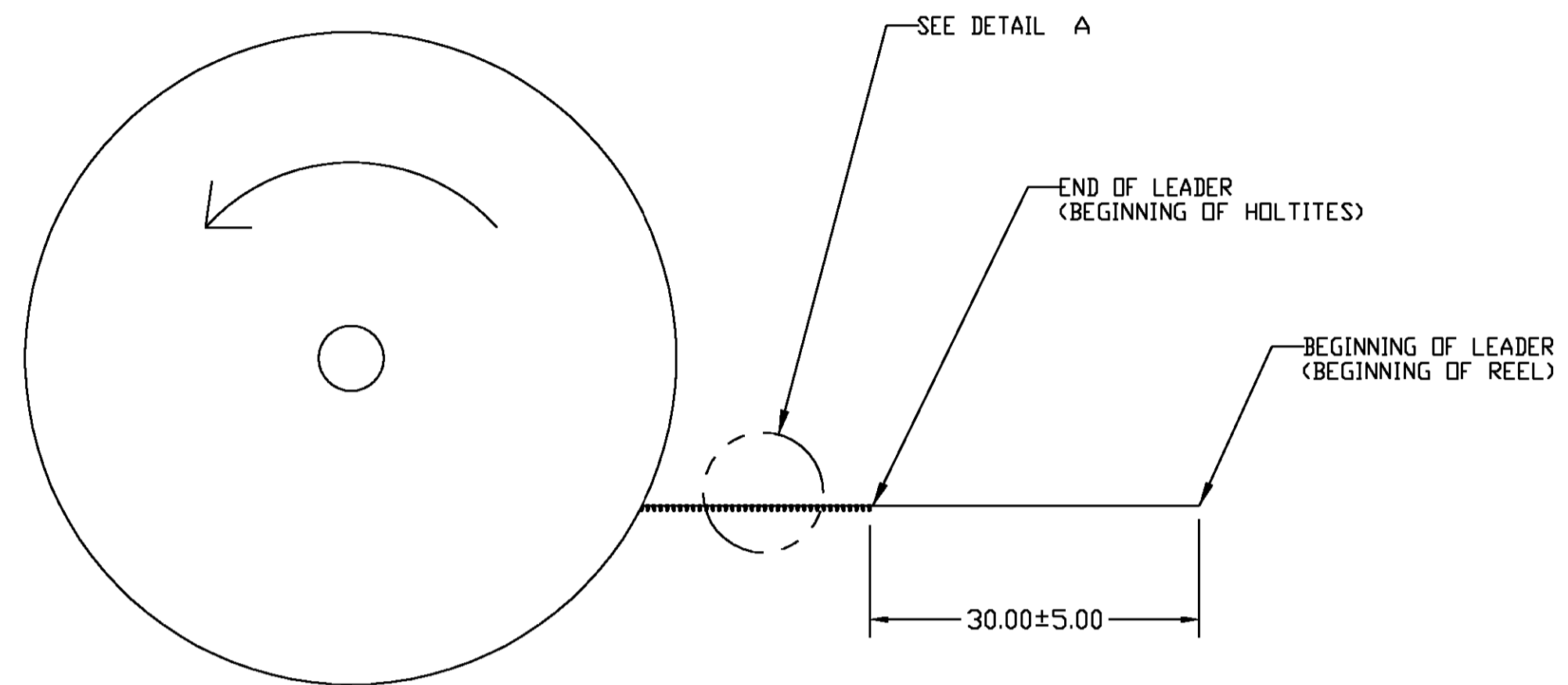
Email & Skype: info@chipsmall.com Web: www.chipsmall.com

Address: A1208, Overseas Decoration Building, #122 Zhenhua RD., Futian, Shenzhen, China

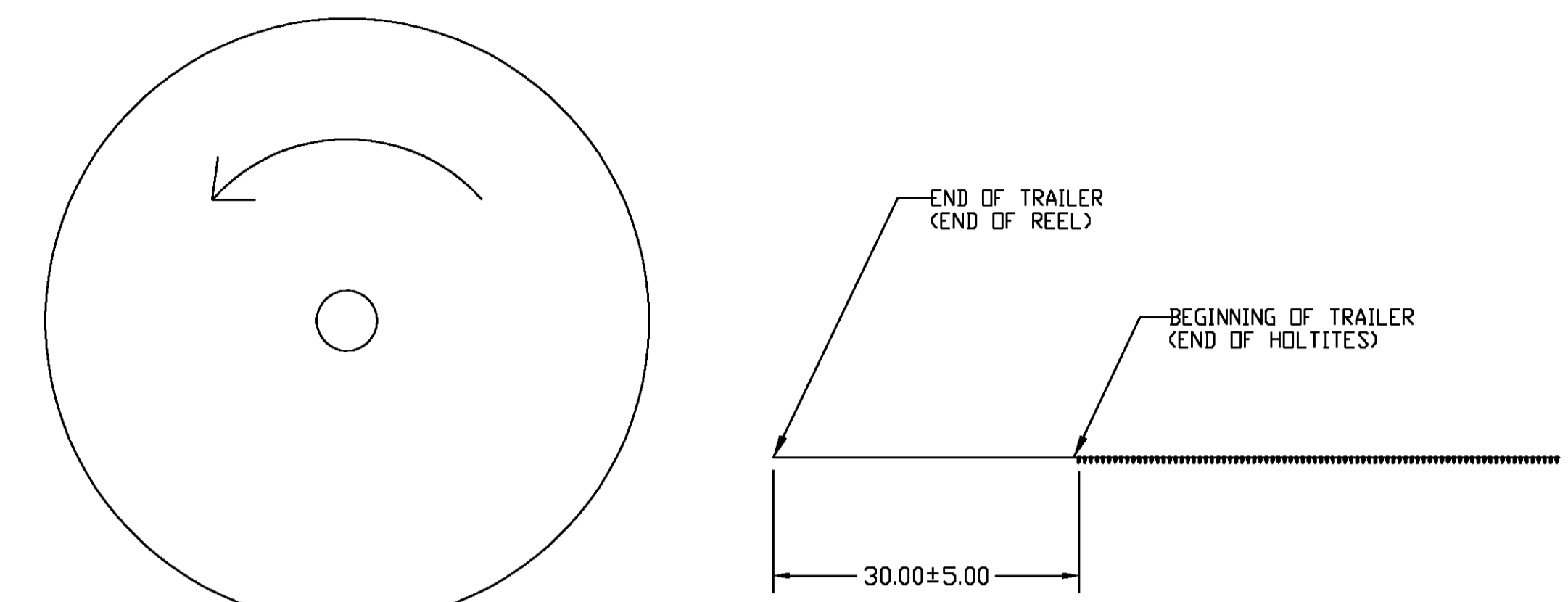


THIS DRAWING IS UNPUBLISHED. RELEASED FOR PUBLICATION BY TYCO ELECTRONICS CORPORATION. ALL RIGHTS RESERVED.

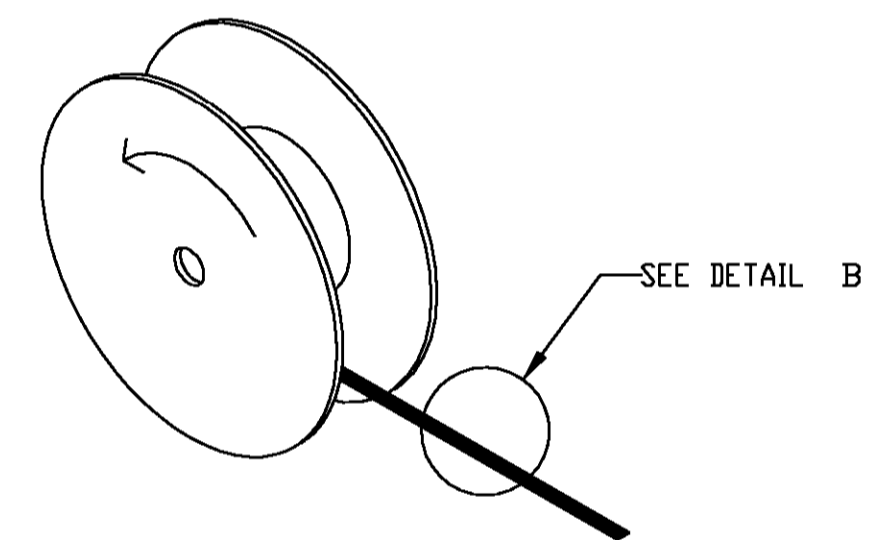
LOC		DIST		REVISIONS			
P	LR	DESCRIPTION	DATE	DR	APPD		
A		REV PER 0G3C-0430-00	26OCT00	BH	KW		



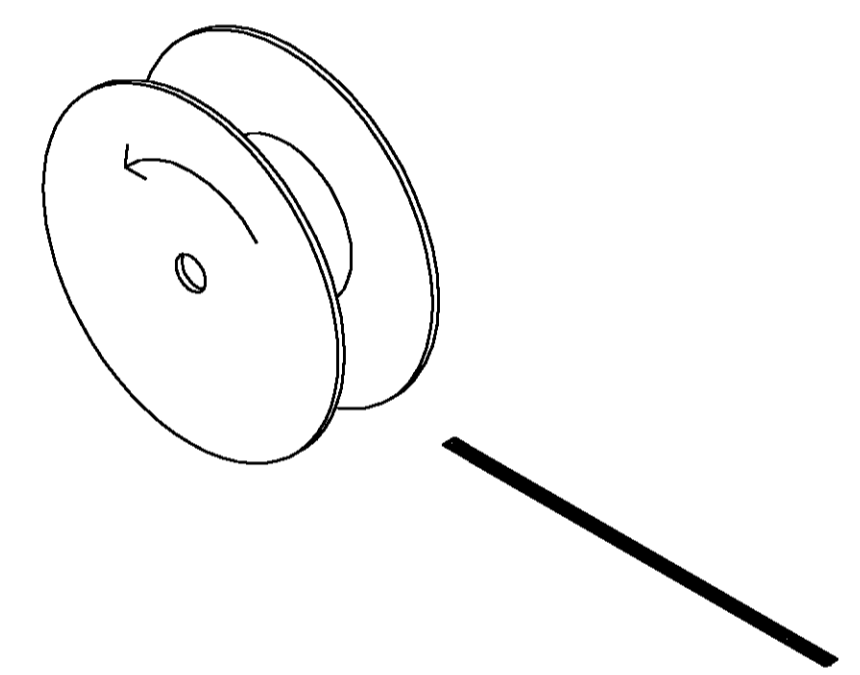
LEADER + BEGINNING OF REEL



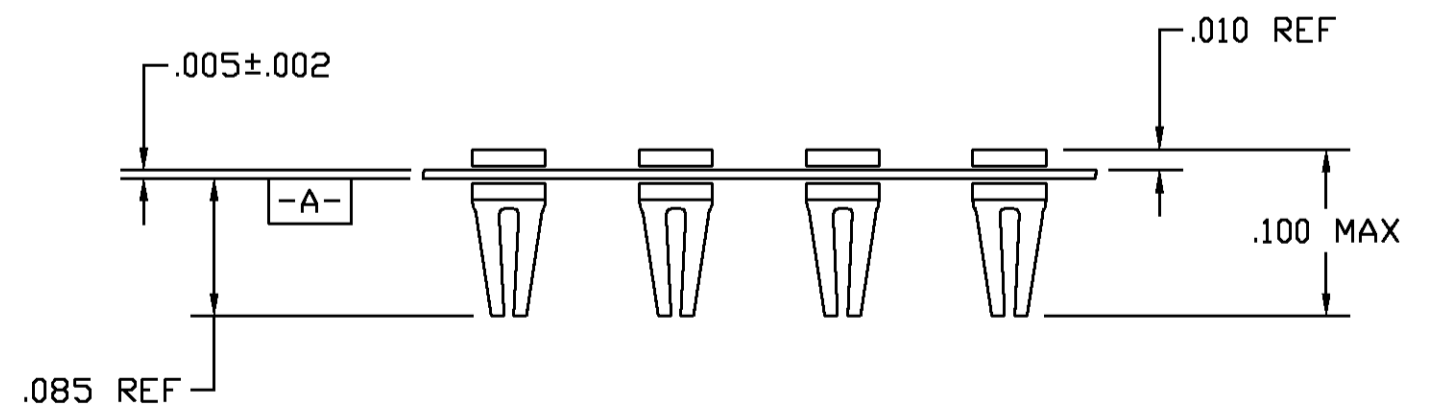
TRAILER + END OF REEL



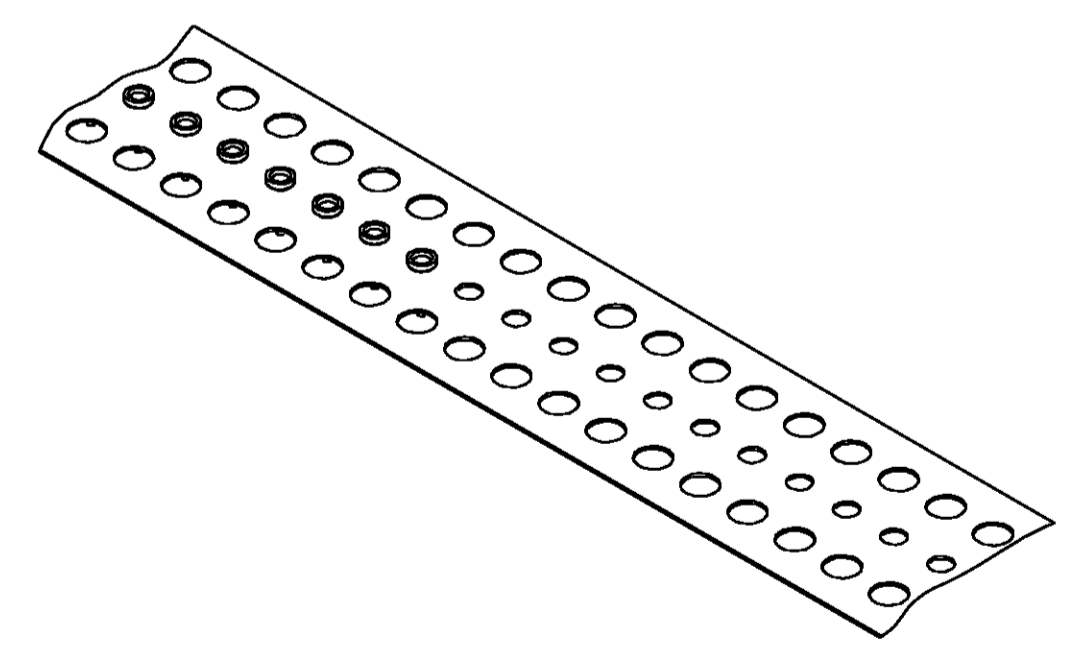
LEADER + BEGINNING OF REEL



TRAILER + END OF REEL



DETAIL A
MYLAR STRIP LOADED WITH HOLTITES
(SAMPLE VIEW FOR HOLTITE ORIENTATION PURPOSES)



DETAIL B
PARTIALLY LOADED MYLAR STRIP
(END OF *LEADER*)

NOTES FOR ASSEMBLED REEL:

1. ASSEMBLED REEL LOADED WITH 10,000 HOLTITES. HOLTITE DESCRIPTION: 80-200 MICROINCHES TIN-LEAD OVER 75-100 MICROINCHES COPPER UNDERPLATE; ACCEPTS .016-.021 DIAMETER OR .011-.018 RECTANGULAR LEAD; RECOMMENDED FINISHED PLATED THRU-HOLE IN PCB TO BE .041±.002; AND RECOMMENDED FINISHED PCB HOLE PLATING TO BE .0003-.0005 TIN-LEAD OVER .001 COPPER PLATE.
2. KRAFT PAPER (.004 THICK) SHOULD BE USED AS A SPACER BETWEEN EACH LAYER OF HOLTITES.
3. NO SPLICES PERMITTED ANYWHERE ON MYLAR TAPE.
4. MAXIMUM OF ONE BREAK PER REEL ALLOWED IN THE MYLAR TAPE.
5. ALL BREAKS SHOULD FOLLOW THE SAME REQUIREMENTS FOR *LEADER* AND *TRAILER* AS IF IT WERE A NEW/COMPLETE REEL WITH NO BREAKS.

PART NUMBER 147504-1 AS SHOWN

THIS DRAWING IS A CONTROLLED DOCUMENT.		DR: R BROWN 25SEP00	AMP Tyco Electronics Corporation Harrisburg, PA 17105	
DIMENSIONS: INCHES		CHK: K WRIGHT 25SEP00	HOLTITE REEL ASSEMBLY HOLTITES ON MYLAR ON REEL	
TOLERANCES UNLESS OTHERWISE SPECIFIED:		APPD: K WRIGHT 25SEP00	SIZE: A1	CAGE CODE: 00779
0 PL ± .005	1 PL ± .002	NAME: APPLICATION SPEC	DRAWING NO: 147504	RESTRICTED TO: -
2 PL ± .002	3 PL ± .010	APPLIC: -	SCALE: NTS	SHEET 1 OF 2
4 PL ± .0005	ANGLES ± 0.1	FINISH: -	CUSTOMER DRAWING	REV: A

