



Chipsmall Limited consists of a professional team with an average of over 10 year of expertise in the distribution of electronic components. Based in Hongkong, we have already established firm and mutual-benefit business relationships with customers from,Europe,America and south Asia,supplying obsolete and hard-to-find components to meet their specific needs.

With the principle of “Quality Parts,Customers Priority,Honest Operation,and Considerate Service”,our business mainly focus on the distribution of electronic components. Line cards we deal with include Microchip,ALPS,ROHM,Xilinx,Pulse,ON,Everlight and Freescale. Main products comprise IC,Modules,Potentiometer,IC Socket,Relay,Connector.Our parts cover such applications as commercial,industrial, and automotives areas.

We are looking forward to setting up business relationship with you and hope to provide you with the best service and solution. Let us make a better world for our industry!



Contact us

Tel: +86-755-8981 8866 Fax: +86-755-8427 6832

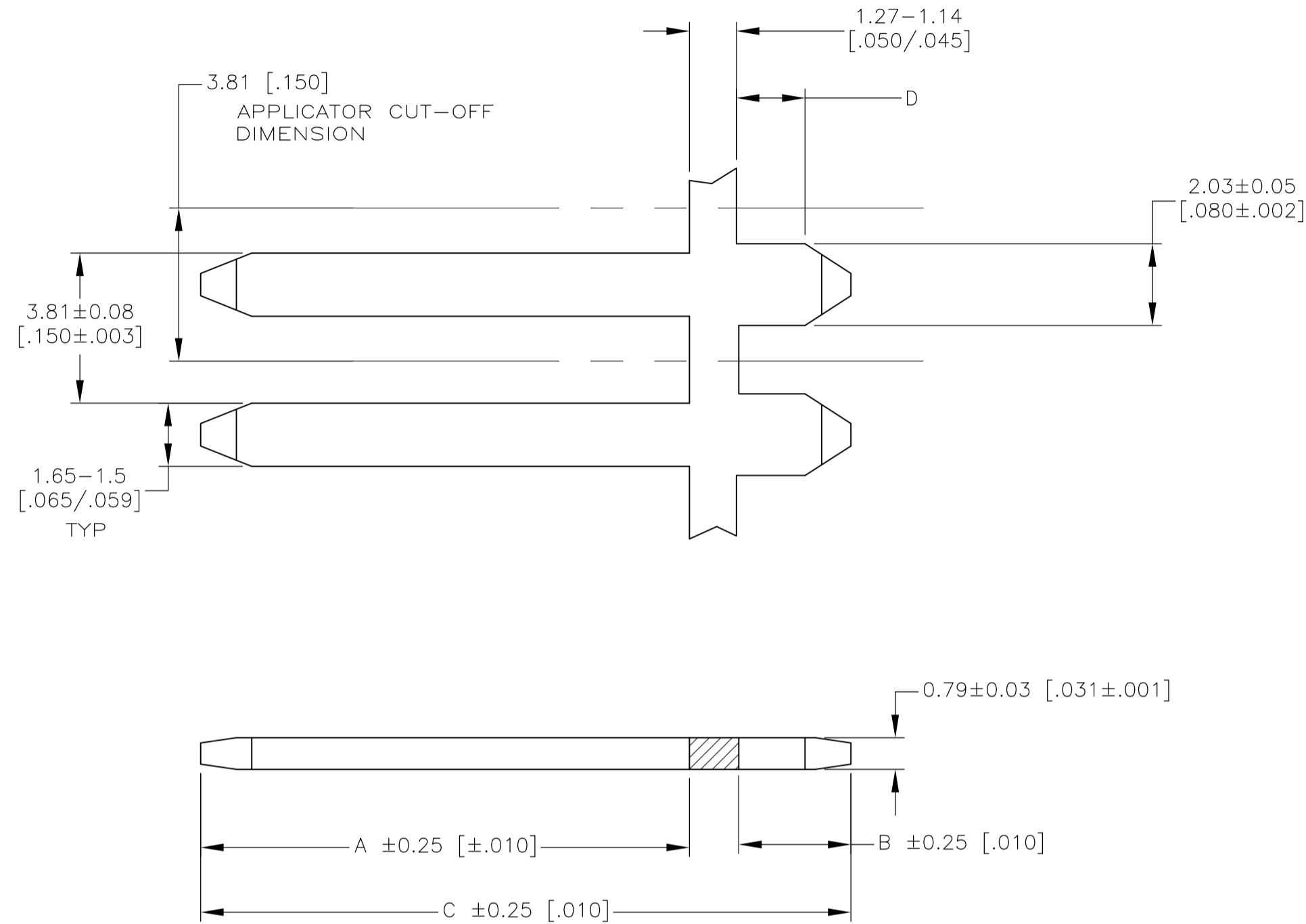
Email & Skype: info@chipsmall.com Web: www.chipsmall.com

Address: A1208, Overseas Decoration Building, #122 Zhenhua RD., Futian, Shenzhen, China



THIS DRAWING IS UNPUBLISHED. RELEASED FOR PUBLICATION
 © COPYRIGHT BY TYCO ELECTRONICS CORPORATION. ALL RIGHTS RESERVED.

| LOC | DIST | REVISIONS | | | | |
|-----|------|-------------|---------------|---------|------|----|
| P | LTR | DESCRIPTION | DATE | DWN | APVD | |
| AD | 00 | E | ECO-07-020237 | 11SEP07 | MB | JO |



1. RECOMMENDED HOLE SIZE 1.98 ± 0.05 [.078 ± .002] DIA.
2. THIS POST IS NOT COMPATIBLE WITH TERMI-POINT APPLICATIONS
3. $0.00254 - 0.00508$ [.000100 - .000200] BRIGHT TIN OVER 0.000762 [.000030] NICKEL
4. THE ENDS OF THE CONTACT STRIP SHALL NOT BE PHYSICALLY ATTACHED TO EACH OTHER AT THE LOCATION OF ANY REQUIRED SPLICES.

| | | | | | | |
|----------|--------------------------|--------|-----------------|----------------|-----------------|-------------------|
| | 1.78-1.52 [.070-.060] | 3 | 16.20 [.638] | 2.79 [.110] | 12.19 [.480] | 147506-2 |
| OBSOLETE | 2.03-1.88 [.080-.074] | 3 | 18.16 [.715] | 4.75 [.187] | 12.19 [.480] | 147506-1 |
| | D | FINISH | C | B | A | STRIP PART NUMBER |

| | | | | | | |
|--|--|--------------------|---------|--|-----------|------------|
| THIS DRAWING IS A CONTROLLED DOCUMENT. | | DWN B. HAYMAKER | 31AUG00 | Tyco Electronics Tyco Electronics Corporation Harrisburg, PA 17105-3608 | | |
| DIMENSIONS: INCHES | | CHK M. ZITTO | 17NOV00 | NAME | | |
| TOLERANCES UNLESS OTHERWISE SPECIFIED: | | APVD M. ZITTO | 17NOV00 | CONTACT, MOD I, MALE, .031 X .062 | | |
| 0 PLC ± - | | PRODUCT SPEC | | APPLICATION SPEC | | |
| 1 PLC ± - | | APPLICATION SPEC | | SIZE | CAGE CODE | DRAWING NO |
| 2 PLC ± - | | MATERIAL | | A2 | 00779 | C=147506 |
| 3 PLC ± - | | FINISH | | CUSTOMER DRAWING | | |
| 4 PLC ± - | | SEE TABLE | | SCALE | SHEET | REV |
| ANGLES ± - | | WEIGHT | | 8:1 | 1 of 1 | E |