



Chipsmall Limited consists of a professional team with an average of over 10 year of expertise in the distribution of electronic components. Based in Hongkong, we have already established firm and mutual-benefit business relationships with customers from,Europe,America and south Asia,supplying obsolete and hard-to-find components to meet their specific needs.

With the principle of “Quality Parts,Customers Priority,Honest Operation,and Considerate Service”,our business mainly focus on the distribution of electronic components. Line cards we deal with include Microchip,ALPS,ROHM,Xilinx,Pulse,ON,Everlight and Freescale. Main products comprise IC,Modules,Potentiometer,IC Socket,Relay,Connector.Our parts cover such applications as commercial,industrial, and automotives areas.

We are looking forward to setting up business relationship with you and hope to provide you with the best service and solution. Let us make a better world for our industry!



## Contact us

Tel: +86-755-8981 8866 Fax: +86-755-8427 6832

Email & Skype: info@chipsmall.com Web: www.chipsmall.com

Address: A1208, Overseas Decoration Building, #122 Zhenhua RD., Futian, Shenzhen, China






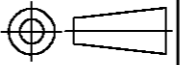
THIS DRAWING IS UNPUBLISHED. RELEASED FOR PUBLICATION  
 © COPYRIGHT 2001 BY TYCO ELECTRONICS CORPORATION. ALL RIGHTS RESERVED.

LOC		DIST		REVISIONS			
P	LTR	DESCRIPTION	DATE	DWN	APVD		
E	B	E	EBD0-0129-03	05-06-03	SS	JA	

# MAJOR COMPONENT & MATERIAL LIST

NO	PART NAME	MATERIAL	Q'ty	UL FRAME	FINISH (COLOR)
1	CASE	P.B.T RESIN	1	94 V-0	
2	COVER		1		
3	MOVABLE CONTACTOR	Brass Sheet t=0.4	1		SILVER PLATING
4	GUIDE PLATE	Brass Sheet t=0.8	1		SILVER PLATING
5	COMMON TERMINAL	Brass Sheet t=0.8	1		SILVER PLATING
6	PLATE SPRING	Beryllium Copper Sheet (t=0.1~ 0.25)	1		
7	TERMINAL AID	Brass Sheet (t=0.8)	1		
8	CONTACT	Ag alloy (AgCdO, AgSnO2)	2		
9	TERMINAL	Brass Sheet (t=0.8)	1		SILVER PLATING
10	ACTUATOR	PHENOLIC RESIN	1	94 V-0	
11	LEVER	Stainless Steel Sheet (t=0.6)	(1)		

( ) = Where Applicable

THIS DRAWING IS A CONTROLLED DOCUMENT.		DWN S.Shackson 05JUN2003	 Tyco Electronics Corporation Stanmore, Middlesex, HA7 4RS			
DIMENSIONS: MM		CHK F.Wheeler-King 05JUN2003				
TOLERANCES UNLESS OTHERWISE SPECIFIED:		APVD F.Wheeler-King 05JUN2003	NAME MICRO SWITCH 16A TAB TERMINAL 300g RANGE			
 0 PLC ± - 1 PLC ± - 2 PLC ± - 3 PLC ± - 4 PLC ± - ANGLES ± - FINISH -		PRODUCT SPEC APPLICATION SPEC WEIGHT -	SIZE A2	CAGE CODE 00779	DRAWING NO C=1478620	RESTRICTED TO -
MATERIAL -		CUSTOMER DRAWING		SCALE 1:1	SHEET 2 OF 2	REV E