



Chipsmall Limited consists of a professional team with an average of over 10 year of expertise in the distribution of electronic components. Based in Hongkong, we have already established firm and mutual-benefit business relationships with customers from,Europe,America and south Asia,supplying obsolete and hard-to-find components to meet their specific needs.

With the principle of “Quality Parts,Customers Priority,Honest Operation,and Considerate Service”,our business mainly focus on the distribution of electronic components. Line cards we deal with include Microchip,ALPS,ROHM,Xilinx,Pulse,ON,Everlight and Freescale. Main products comprise IC,Modules,Potentiometer,IC Socket,Relay,Connector.Our parts cover such applications as commercial,industrial, and automotives areas.

We are looking forward to setting up business relationship with you and hope to provide you with the best service and solution. Let us make a better world for our industry!



Contact us

Tel: +86-755-8981 8866 Fax: +86-755-8427 6832

Email & Skype: info@chipsmall.com Web: www.chipsmall.com

Address: A1208, Overseas Decoration Building, #122 Zhenhua RD., Futian, Shenzhen, China



THIS DRAWING IS UNPUBLISHED.

RELEASED FOR PUBLICATION 19JUNE ,2006.

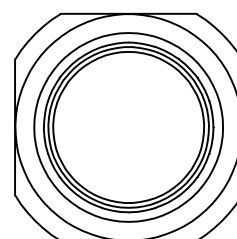
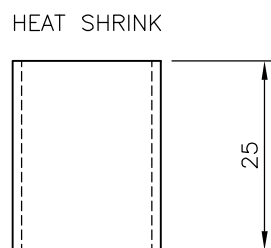
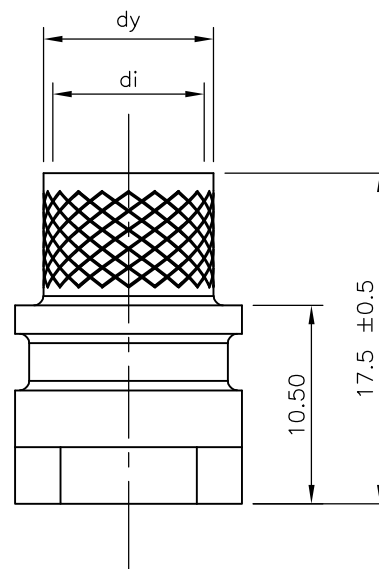
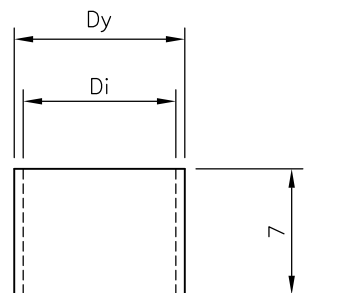
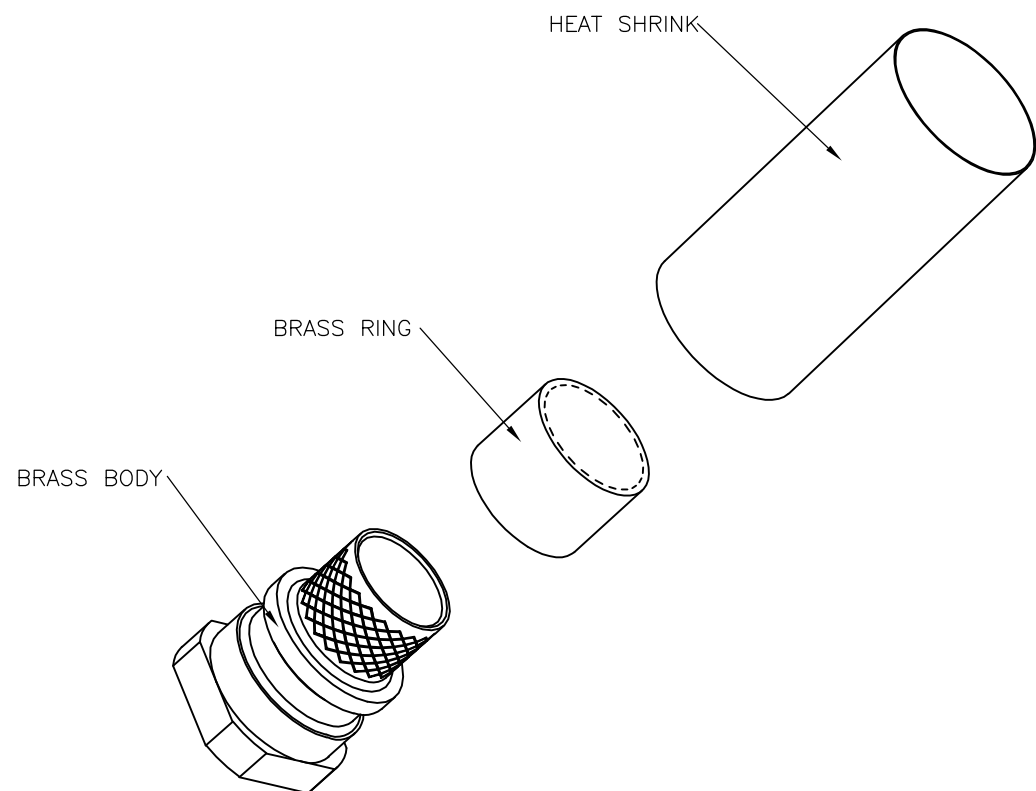
© COPYRIGHT 2006 By -

ALL RIGHTS RESERVED.

LOC GP DIST 00

REVISIONS

P	LTR	DESCRIPTION	DATE	DWN	APVD
	F	ECO-13-000397	31JAN2013	CJV	CWR



- 1. BULK PACKAGED CRIMP KIT ASSEMBLIES: EACH COMPONENT PACKAGED SEPARATELY IN BAGS, 100 COMPONENTS PER BAG. 1 BAG OF EACH COMPONENT IN 1 BOX WITH 1 LEAFLET PER BOX.
- 2. FOR APPLICATION DETAILS REFER TO LEAFLET 1478531-1.
- 3. INDIVIDUALLY PACKAGED CRIMP KIT ASSEMBLIES. EACH BAG CONTAINS ENOUGH COMPONENTS FOR 1 ASSEMBLY. INCLUDES 1 LEAFLET PER BOX OF 100 BAGS.

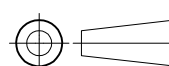
1478764-4	8	9	10	11	9.5mm DIA
1478764-3	7	8	9	10	8.5mm DIA
1478764-2, 5-1478764-2	6	7	8	9	7.5mm DIA
1478764-1, 5-1478764-1	4	5	6	7	6.0mm DIA
PART NUMBER	di	dy	Di	Dy	CABLE MAX DIA

1	CRIMP KIT 7.5mm CABLE	5-1478764-2	△
1	CRIMP KIT 6mm CABLE	5-1478764-1	△
100	CRIMP KIT 9.5mm CABLE	1478764-4	△
100	CRIMP KIT 8.5mm CABLE	1478764-3	△
100	CRIMP KIT 7.5mm CABLE	1478764-2	△
100	CRIMP KIT 6mm CABLE	1478764-1	△
COMPONENTS/BAG	DESCRIPTION	PART NUMBER	

THIS DRAWING IS A CONTROLLED DOCUMENT. DIMENSIONING AND TOLERANCING PER ASME Y14.5M (ISO STANDARDS)

DIMENSIONS:

mm



TOLERANCES UNLESS OTHERWISE SPECIFIED:

0 PLC	± -
1 PLC	± -
2 PLC	± -
3 PLC	± -
4 PLC	± -
ANGLES	± -

MATERIAL

FINISH

DWN 19JUN2006

A. Morey

CHK 20JUN06

F. Wheeler-King

APVD 20JUN06

F. Wheeler-King

PRODUCT SPEC

APPLICATION SPEC

WEIGHT

CUSTOMER DRAWING

STE TE Connectivity

CRIMP KIT FOR ADK SERIES AND PLATED PLASTIC BACKSHELLS

SIZE	CAGE CODE	DRAWING NO	RESTRICTED TO
A3	00779	C-1478764	-

SCALE NTS SHEET 1 OF 1 REV F