



Chipsmall Limited consists of a professional team with an average of over 10 year of expertise in the distribution of electronic components. Based in Hongkong, we have already established firm and mutual-benefit business relationships with customers from,Europe,America and south Asia,supplying obsolete and hard-to-find components to meet their specific needs.

With the principle of “Quality Parts,Customers Priority,Honest Operation,and Considerate Service”,our business mainly focus on the distribution of electronic components. Line cards we deal with include Microchip,ALPS,ROHM,Xilinx,Pulse,ON,Everlight and Freescale. Main products comprise IC,Modules,Potentiometer,IC Socket,Relay,Connector.Our parts cover such applications as commercial,industrial, and automotives areas.

We are looking forward to setting up business relationship with you and hope to provide you with the best service and solution. Let us make a better world for our industry!



Contact us

Tel: +86-755-8981 8866 Fax: +86-755-8427 6832

Email & Skype: info@chipsmall.com Web: www.chipsmall.com

Address: A1208, Overseas Decoration Building, #122 Zhenhua RD., Futian, Shenzhen, China

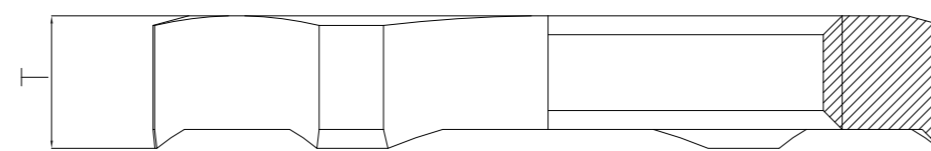
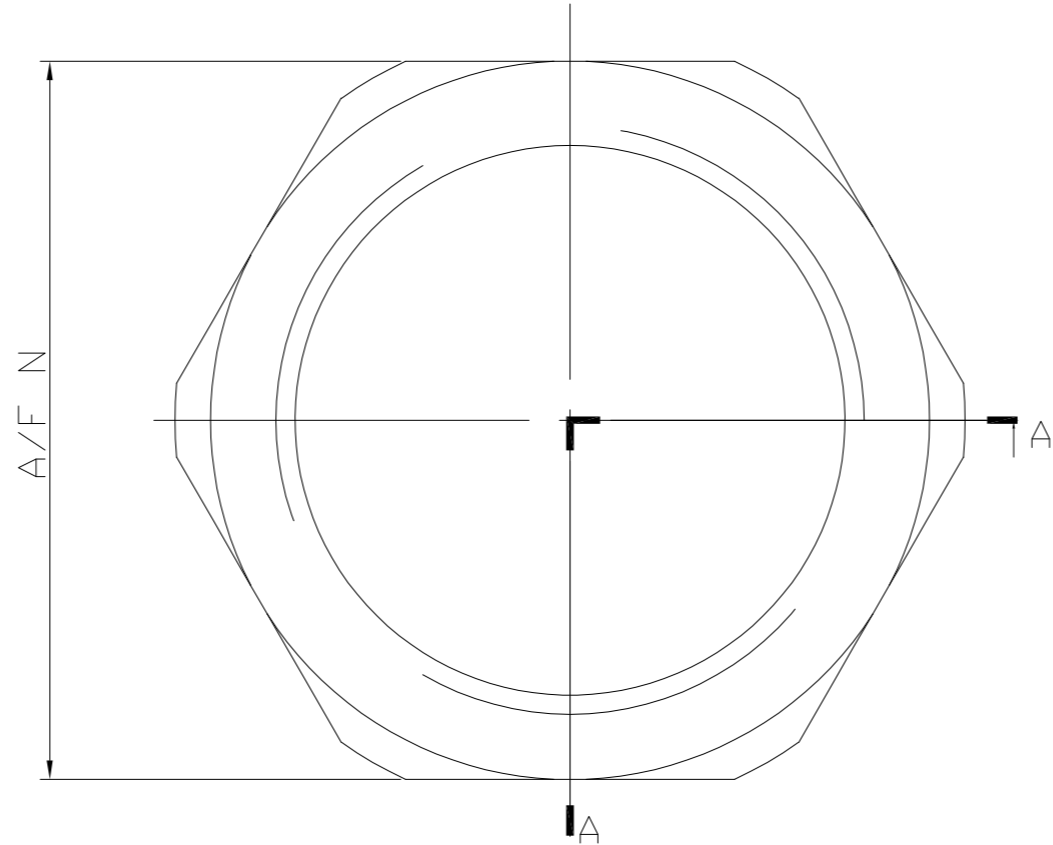
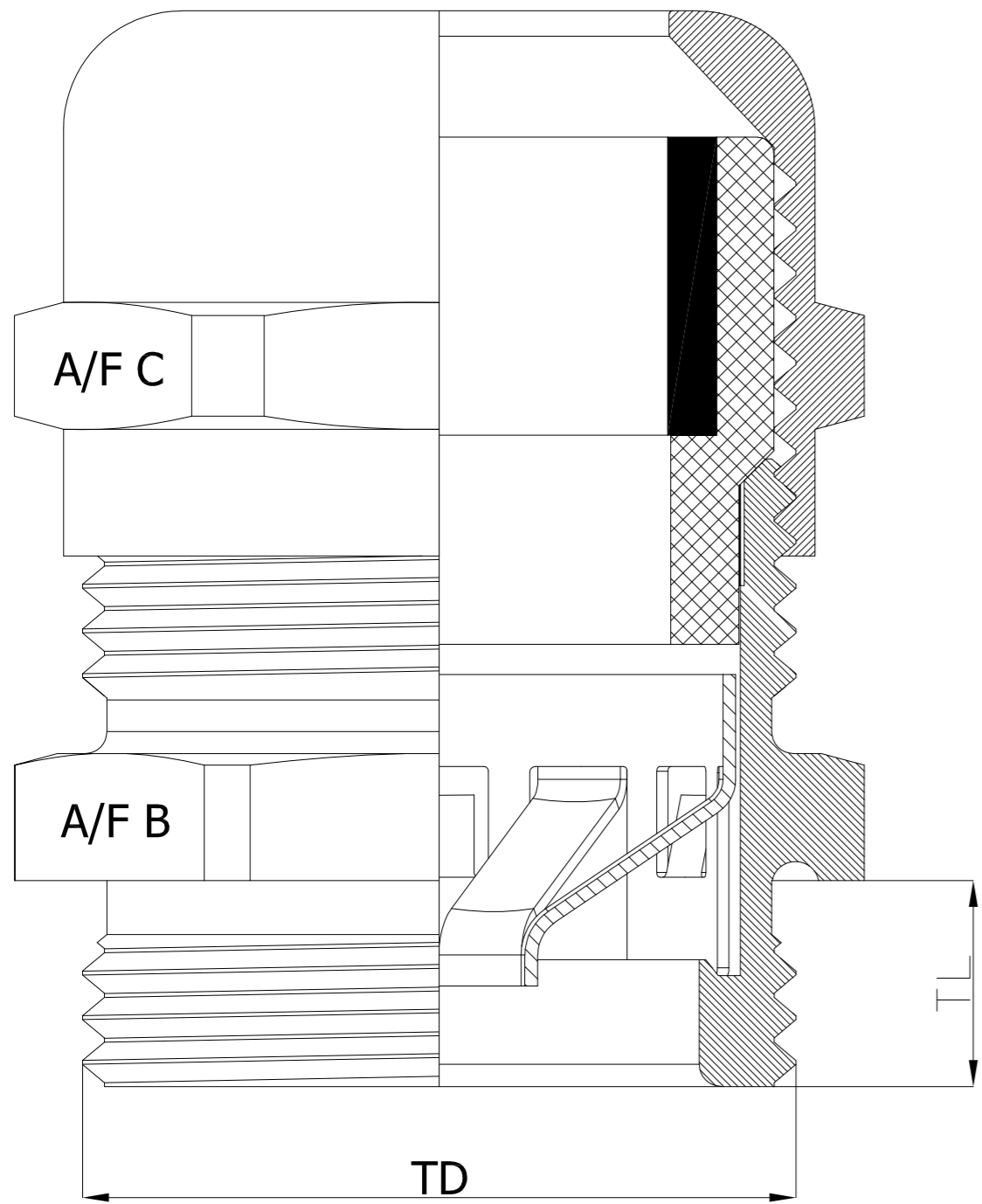


THIS DRAWING IS UNPUBLISHED. RELEASED FOR PUBLICATION
 © COPYRIGHT - By - ALL RIGHTS RESERVED.

LOC		DIST		REVISIONS			
P	LTR	DESCRIPTION		DATE	DWN	APVD	
E	B	E2	REVISED PER ECO-15-005875	16FEB2015	NK	JW	

GLAND ASSEMBLY

LOCKNUT



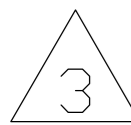
SECTION A-A

NOTES:

- FOR TECHNICAL DATA REFER TO YOUR LOCAL TYCO ELECTRONICS SALES OFFICE.
- ALL DIMENSIONS ARE NOMINAL FOR REFERENCE ONLY UNLESS OTHERWISE STATED.
- FOR PACKAGING INFORMATION SEE PACKING SPECIFICATION 107-3315 TABLE ABOVE SHOWS PACKING LABEL DETAILS.
- 1 ASSEMBLY COMPRISES OF 1 OFF GLAND & CAP (AS SHOWN) INCLUDING NEOPRENE SEAL.

SIZE	TD mm	TL mm	T mm	Min. Shield Diameter mm	A/F BODY	A/F CAP	A/F NUT	Clamping Range ø mm	
M12x1,5	12.0	12.0	3.3	2.5	14	14	15	3.0	6.5
M16x1,5	16.0	12.0	3.5	3.0	20	20	19	4.0	8.0
M20x1,5	20.0	12.0	3.6	5.0	22	22	24	6.0	12.0
M25x1,5	25.0	12.0	3.5	8.0	27	24	30	10.0	14.0
M32x1,5	32.0	15.0	4.0	11.0	34	30	36	13.0	18.0
M40x1,5	40.0	15.0	4.6	16.0	43	40	46	18.0	25.0
M50x1,5	50.0	15.0	5.5	19.0	55	50	60	22.0	32.0
M63x1,5	63.0	18.0	6.7	30.0	68	64	70	34.0	44.0

Bag with TE Label & Instruction Sheet	1	Metric EMC Gland M63x1.5	Nickel Plate	1478884-8
	1	Metric EMC Gland M50x1.5	Nickel Plate	1478884-7
	1	Metric EMC Gland M40x1.5	Nickel Plate	1478884-6
	1	Metric EMC Gland M32x1.5	Nickel Plate	1478884-5
	5	Metric EMC Gland M25x1.5	Nickel Plate	1478884-4
	5	Metric EMC Gland M20x1.5	Nickel Plate	1478884-3
	5	Metric EMC Gland M16x1.5	Nickel Plate	1478884-2
	5	Metric EMC Gland M12x1.5	Nickel Plate	1478884-1
	Packaging Style	Bag Qty	Description	Finish



Part No.	Packing Label Description Line 1	Packing Label Description Line 2	Packing Label Description Line 3	Packing Label Description Line 4	Active / Obsolete
1478884-1	EMC Gland with Locknut	M12x1.5 (Long Thread 12mm)	Brass Nickel Plated	IP 68	
1478884-2	EMC Gland with Locknut	M16x1.5 (Long Thread 12mm)	Brass Nickel Plated	IP 68	
1478884-3	EMC Gland with Locknut	M20x1.5 (Long Thread 12mm)	Brass Nickel Plated	IP 68	
1478884-4	EMC Gland with Locknut	M25x1.5 (Long Thread 12mm)	Brass Nickel Plated	IP 68	
1478884-5	EMC Gland with Locknut	M32x1.5 (Long Thread 15mm)	Brass Nickel Plated	IP 68	
1478884-6	EMC Gland with Locknut	M40x1.5 (Long Thread 15mm)	Brass Nickel Plated	IP 68	
1478884-7	EMC Gland with Locknut	M50x1.5 (Long Thread 15mm)	Brass Nickel Plated	IP 68	Obsolete
1478884-8	EMC Gland with Locknut	M63x1.5 (Long Thread 18mm)	Brass Nickel Plated	IP 68	

THIS DRAWING IS A CONTROLLED DOCUMENT.

DWN: P.Bates 6/11/02
 CHK: F.W.King 6-11-02
 APVD: F.W.King 6-11-02

TE Connectivity

EMC GLAND AND LOCKNUT
 BRASS - NICKEL PLATE (M12 - M63)

SIZE: A2 CAGE CODE: 00779 DRAWING NO: C=1478884 RESTRICTED TO: -

SCALE: 1:1 SHEET: 1 of 1 REV: E2

CUSTOMER DRAWING