



Chipsmall Limited consists of a professional team with an average of over 10 year of expertise in the distribution of electronic components. Based in Hongkong, we have already established firm and mutual-benefit business relationships with customers from,Europe,America and south Asia,supplying obsolete and hard-to-find components to meet their specific needs.

With the principle of “Quality Parts,Customers Priority,Honest Operation,and Considerate Service”,our business mainly focus on the distribution of electronic components. Line cards we deal with include Microchip,ALPS,ROHM,Xilinx,Pulse,ON,Everlight and Freescale. Main products comprise IC,Modules,Potentiometer,IC Socket,Relay,Connector.Our parts cover such applications as commercial,industrial, and automotives areas.

We are looking forward to setting up business relationship with you and hope to provide you with the best service and solution. Let us make a better world for our industry!



## Contact us

Tel: +86-755-8981 8866 Fax: +86-755-8427 6832

Email & Skype: info@chipsmall.com Web: www.chipsmall.com

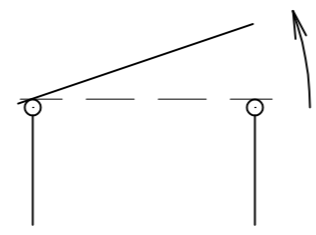
Address: A1208, Overseas Decoration Building, #122 Zhenhua RD., Futian, Shenzhen, China



THIS DRAWING IS UNPUBLISHED. RELEASED FOR PUBLICATION  
 © COPYRIGHT BY TYCO ELECTRONICS CORPORATION. ALL RIGHTS RESERVED.

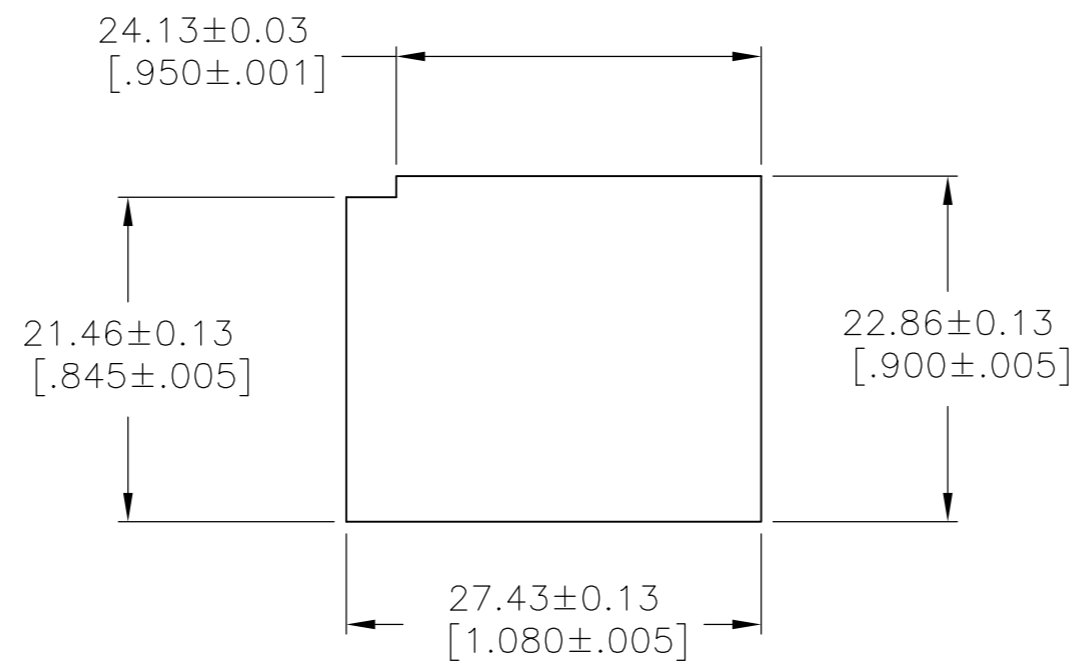
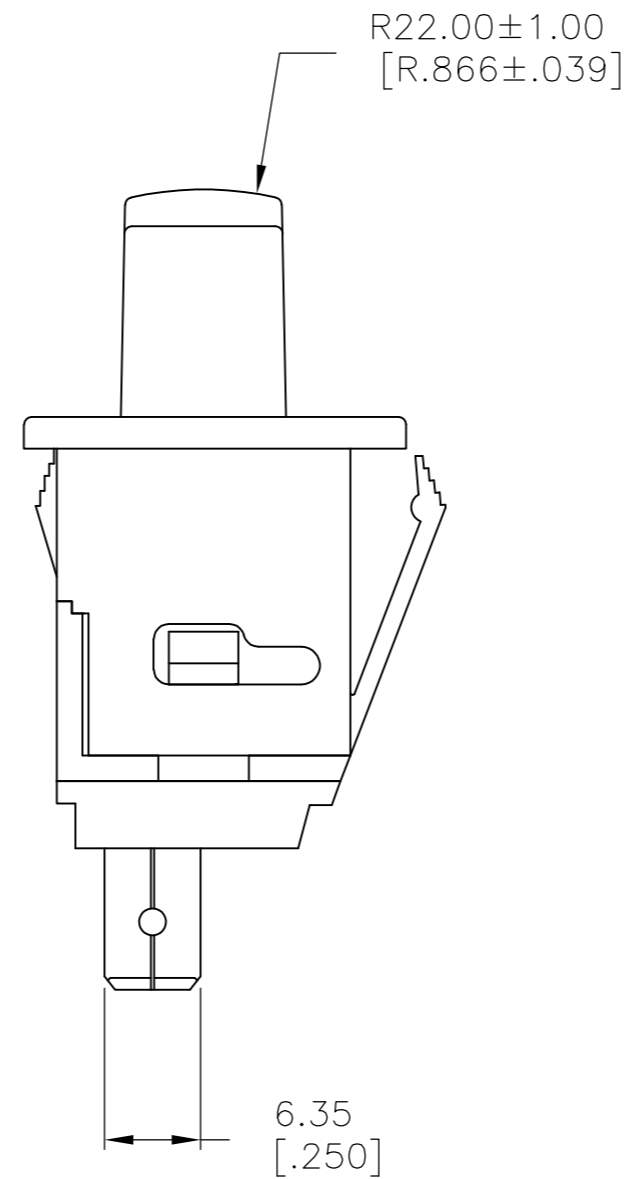
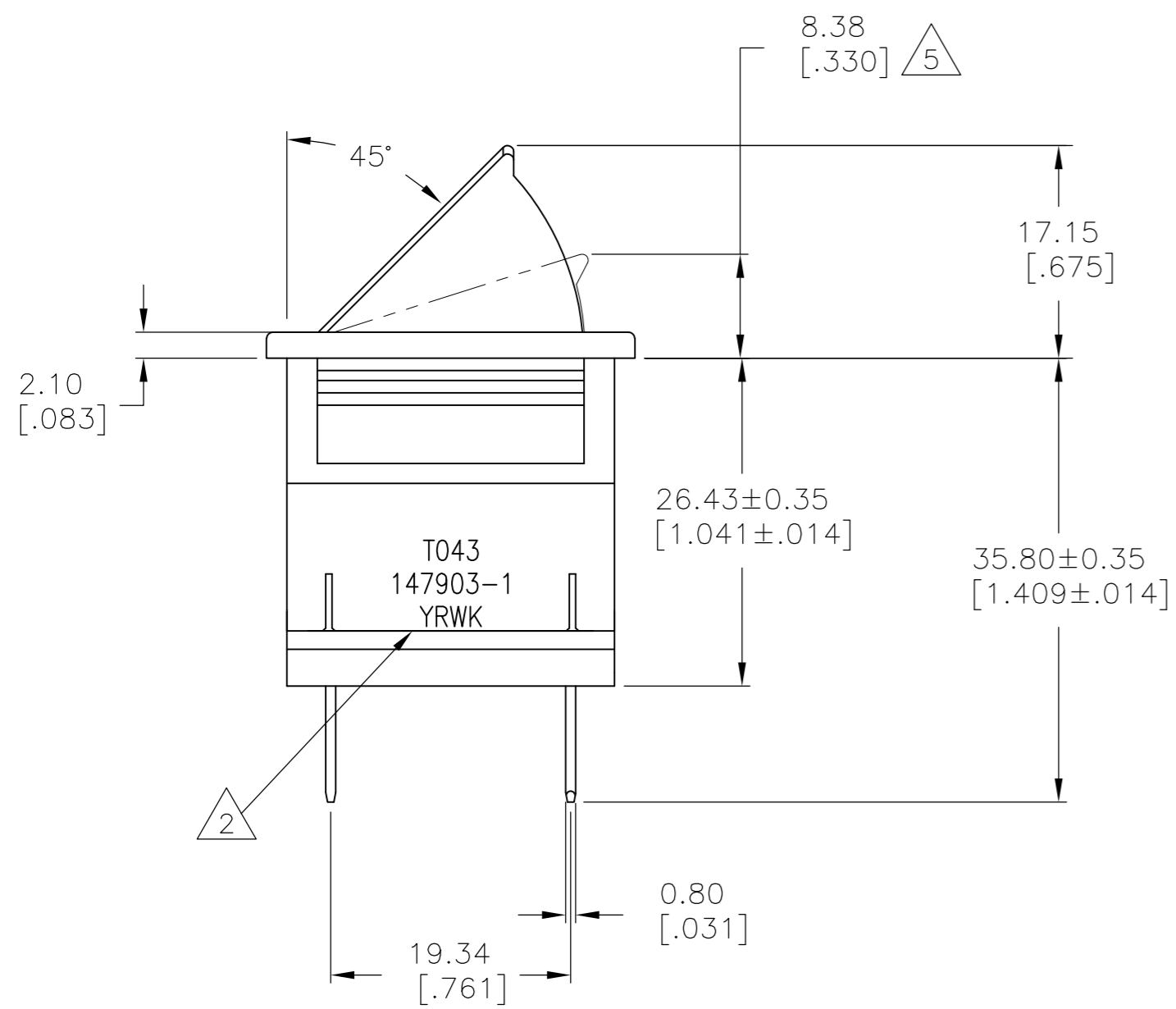
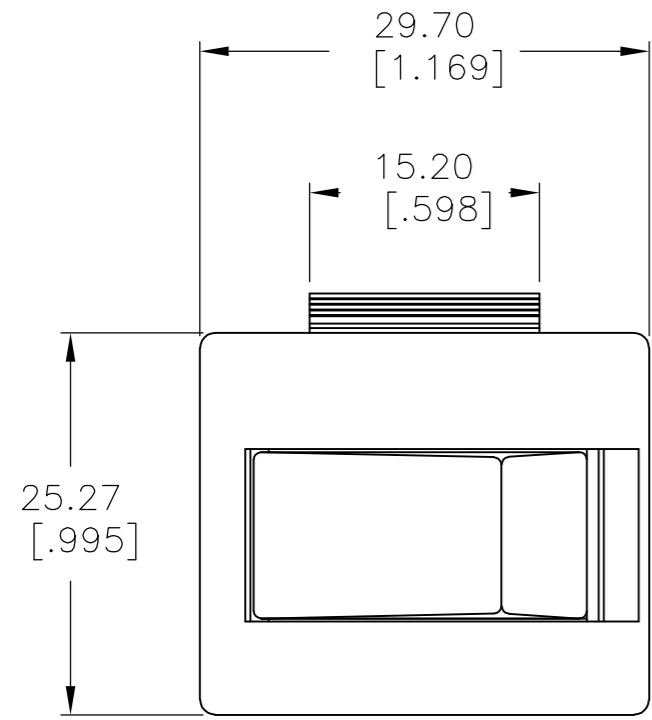
LOC	DIST	REVISIONS			
P	LTR	DESCRIPTION	DATE	DWN	APVD
AD	00	B1	REVISED PER ECO-10-007856	15APR10	HMR NE

CIRCUIT DIAGRAM

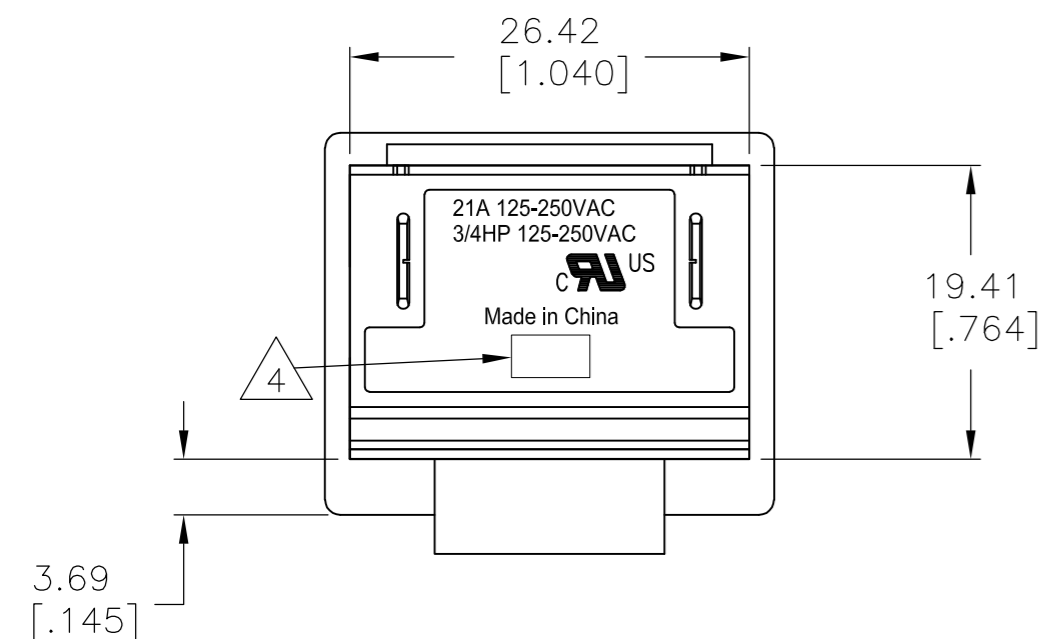


N/O, PUSH ON

Rating	21A 125-250VAC 3/4 HP 125-250VAC
Contact R	50 mohm Max.
Insulation R	DC 500V, 100M ohm Min.
Dielectric Strength	AC 1500V, 1 minute
Operation Temperature	-20°C ~ +85°C



RECOMMENDED PANEL CUT-OUT



- 1 MATERIAL: HOUSING AND ACTUATOR: NYLON 6/6 BLACK,94V-2. PLUNGER: BRASS ALLOY PER ASTM B016 TERMINALS: BeCu ALLOY PER ASTM B196 CONTACTS: SILVER-TIN OXIDE
- 2 INK STAMP AS SHOWN (TEXT HEIGHT 1.6±0.25MM): PART NUMBER & DATE CODE (YEAR & WEEK).
- 3 OPERATING FORCE 425 GRAM (15 OZ.) MAX.
- 4 ELECTRICAL RATINGS, APPROVED AGENCY LOGOS, COUNTRY OF ORIGIN, AND TE LOGO PER TEC-202-36 APPROXIMATELY AS SHOWN.
- 5 MINIMUM CONTACT ENGAGEMENT
- 6 COMPONENT RECOGNIZED TO US AND CANADIAN STANDARDS, UL FILE NO. E46765

147903

147903-1  
PART NUMBER

THIS DRAWING IS A CONTROLLED DOCUMENT.		DWN	M.BINNER	06JAN05	Tyco Electronics Corporation Harrisburg, PA 17105-3608
DIMENSIONS: mm [INCHES]		CHK	D.ROHDE	06JAN05	
TOLERANCES UNLESS OTHERWISE SPECIFIED:		APVD	-	-	NAME
0 PLC	± -	PRODUCT SPEC	-	-	NON-SNAP ACTION SWITCH NORMALLY OPEN, 21A 125-250VAC
1 PLC	± -	APPLICATION SPEC	-	-	SIZE
2 PLC	± 0.10[.004]	WEIGHT	-	-	A2
3 PLC	± -	CUSTOMER DRAWING	-	-	CAGE CODE
4 PLC	± -	SCALE	2:1	-	00779
ANGLES	± 2°	SHEET	1 of 1	-	DRAWING NO
FINISH	-	REV	B1	-	C=147903