



Chipsmall Limited consists of a professional team with an average of over 10 year of expertise in the distribution of electronic components. Based in Hongkong, we have already established firm and mutual-benefit business relationships with customers from,Europe,America and south Asia,supplying obsolete and hard-to-find components to meet their specific needs.

With the principle of “Quality Parts,Customers Priority,Honest Operation,and Considerate Service”,our business mainly focus on the distribution of electronic components. Line cards we deal with include Microchip,ALPS,ROHM,Xilinx,Pulse,ON,Everlight and Freescale. Main products comprise IC,Modules,Potentiometer,IC Socket,Relay,Connector.Our parts cover such applications as commercial,industrial, and automotives areas.

We are looking forward to setting up business relationship with you and hope to provide you with the best service and solution. Let us make a better world for our industry!



## Contact us

Tel: +86-755-8981 8866 Fax: +86-755-8427 6832

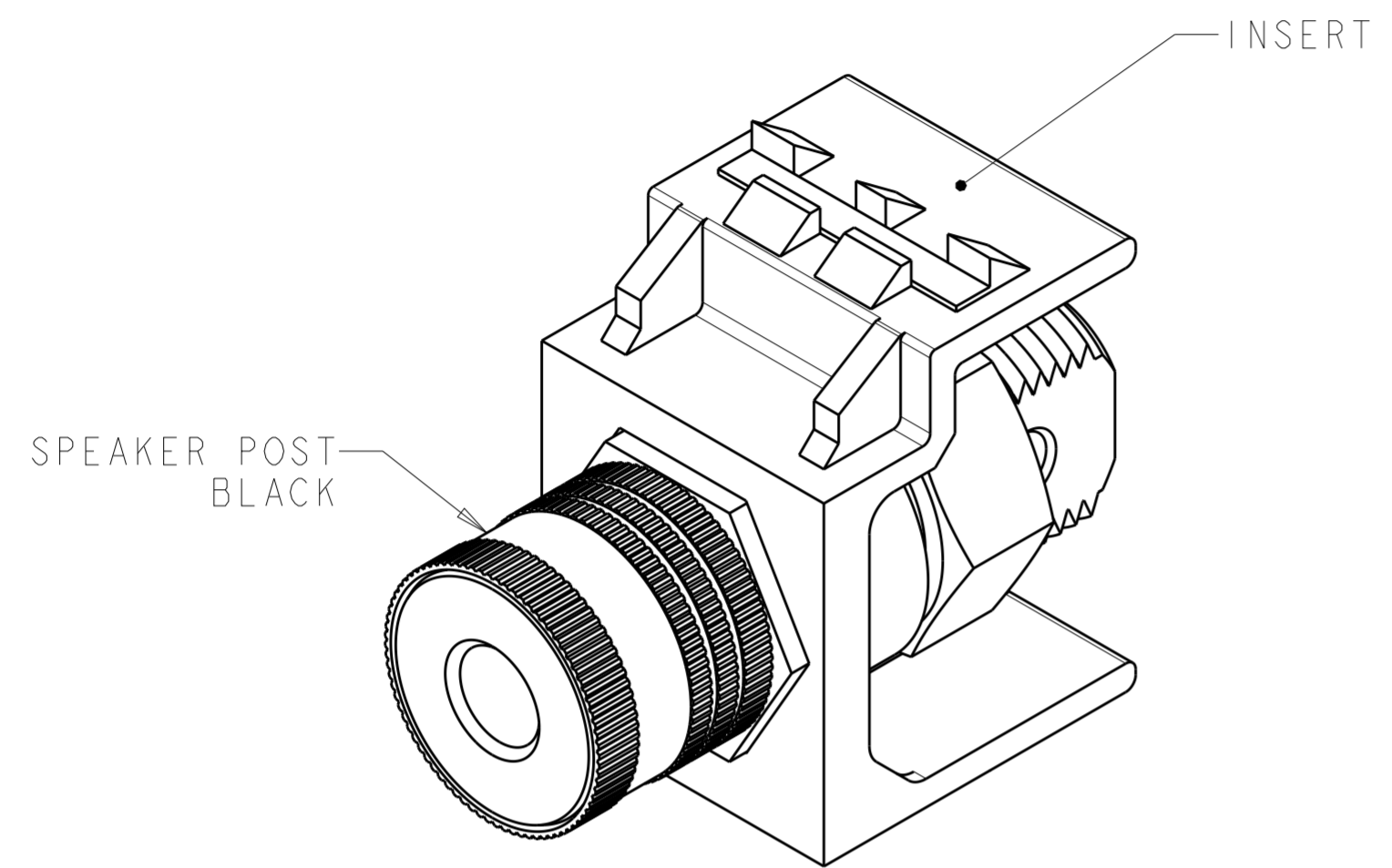
Email & Skype: info@chipsmall.com Web: www.chipsmall.com

Address: A1208, Overseas Decoration Building, #122 Zhenhua RD., Futian, Shenzhen, China



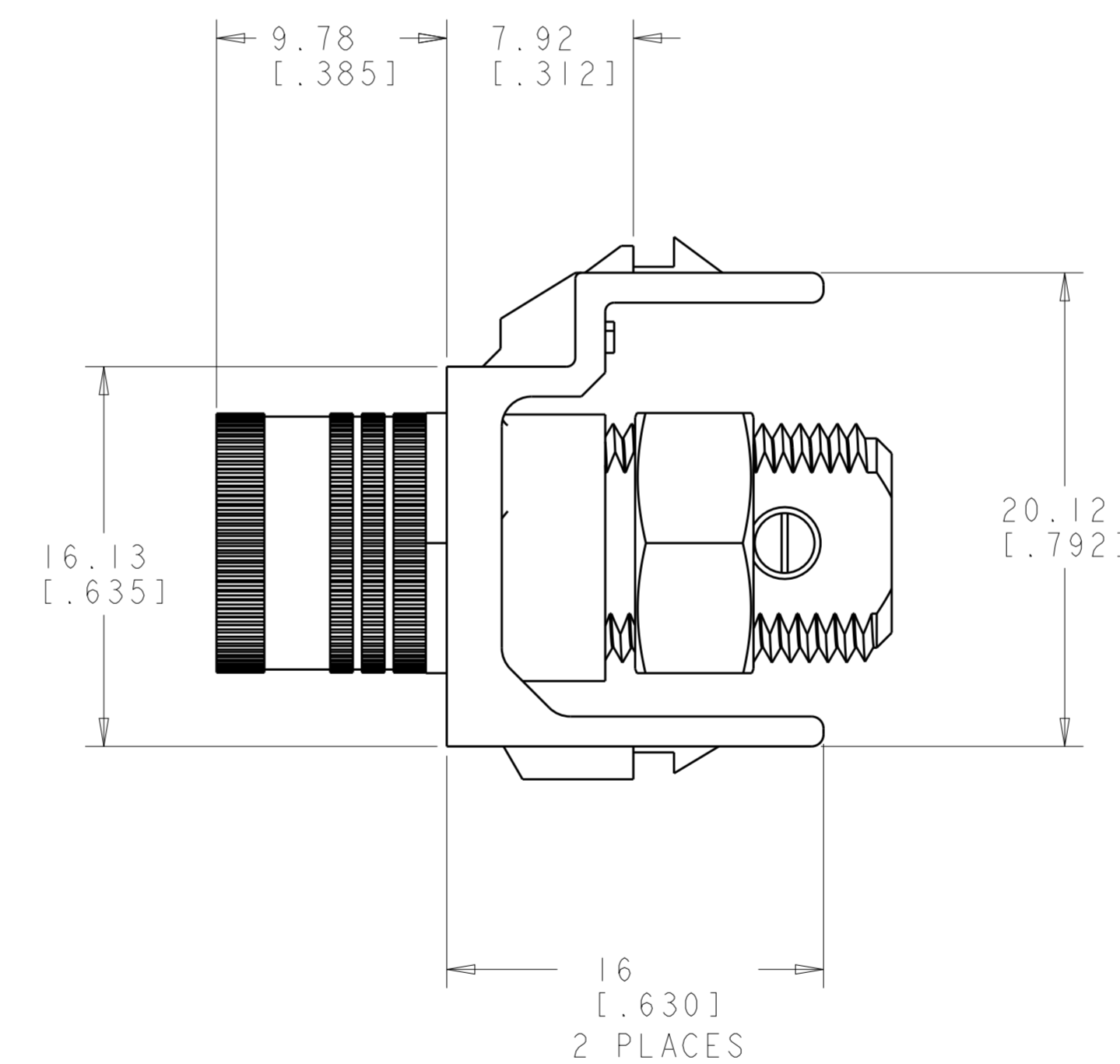
THIS DRAWING IS UNPUBLISHED. RELEASED FOR PUBLICATION 20  
 © COPYRIGHT 20 BY - ALL RIGHTS RESERVED.

LOC	DIST	REVISIONS					
HM	00	P	LTR	DESCRIPTION	DATE	DWN	APVD
		C		ECO-13-007680	07MAY2013	JM	RA



1 MATERIAL:  
 INSERT - POLYCARBONATE MOLDING COMPOUND,  
 SEE TABLE FOR COLOR.  
 SPEAKER POST - BRASS, GOLD PLATED.

2 UNLESS OTHERWISE SPECIFIED ALL  
 DIMENSIONS ARE SHOWN NOMINAL.



ALPINE WHITE	I-1479190-3
LIGHT ALMOND	1479190-1
COLOR	PART NUMBER

THIS DRAWING IS A CONTROLLED DOCUMENT.		DWN G. GARRETT 22MAR02	TE Connectivity	
DIMENSIONS: MM [INCHES]		CHK G. BOWMAN 22MAR02		
TOLERANCES UNLESS OTHERWISE SPECIFIED:		APVD G. BOWMAN 22MAR02		
0 PLC ± 1 PLC ± 2 PLC ± 3 PLC ± 4 PLC ± ANGLES ± FINISH ±		NAME INSERT ASSEMBLY, SPEAKER POST, BLACK, SL SERIES		
MATERIAL 1 -		PRODUCT SPEC -	APPLICATION SPEC -	SIZE A200779
		WEIGHT -	CAGE CODE C-1479190	RESTRICTED TO -
CUSTOMER DRAWING			SCALE 4:1	SHEET 1 OF 1
			REV C	