



Chipsmall Limited consists of a professional team with an average of over 10 year of expertise in the distribution of electronic components. Based in Hongkong, we have already established firm and mutual-benefit business relationships with customers from,Europe,America and south Asia,supplying obsolete and hard-to-find components to meet their specific needs.

With the principle of “Quality Parts,Customers Priority,Honest Operation,and Considerate Service”,our business mainly focus on the distribution of electronic components. Line cards we deal with include Microchip,ALPS,ROHM,Xilinx,Pulse,ON,Everlight and Freescale. Main products comprise IC,Modules,Potentiometer,IC Socket,Relay,Connector.Our parts cover such applications as commercial,industrial, and automotives areas.

We are looking forward to setting up business relationship with you and hope to provide you with the best service and solution. Let us make a better world for our industry!



Contact us

Tel: +86-755-8981 8866 Fax: +86-755-8427 6832

Email & Skype: info@chipsmall.com Web: www.chipsmall.com

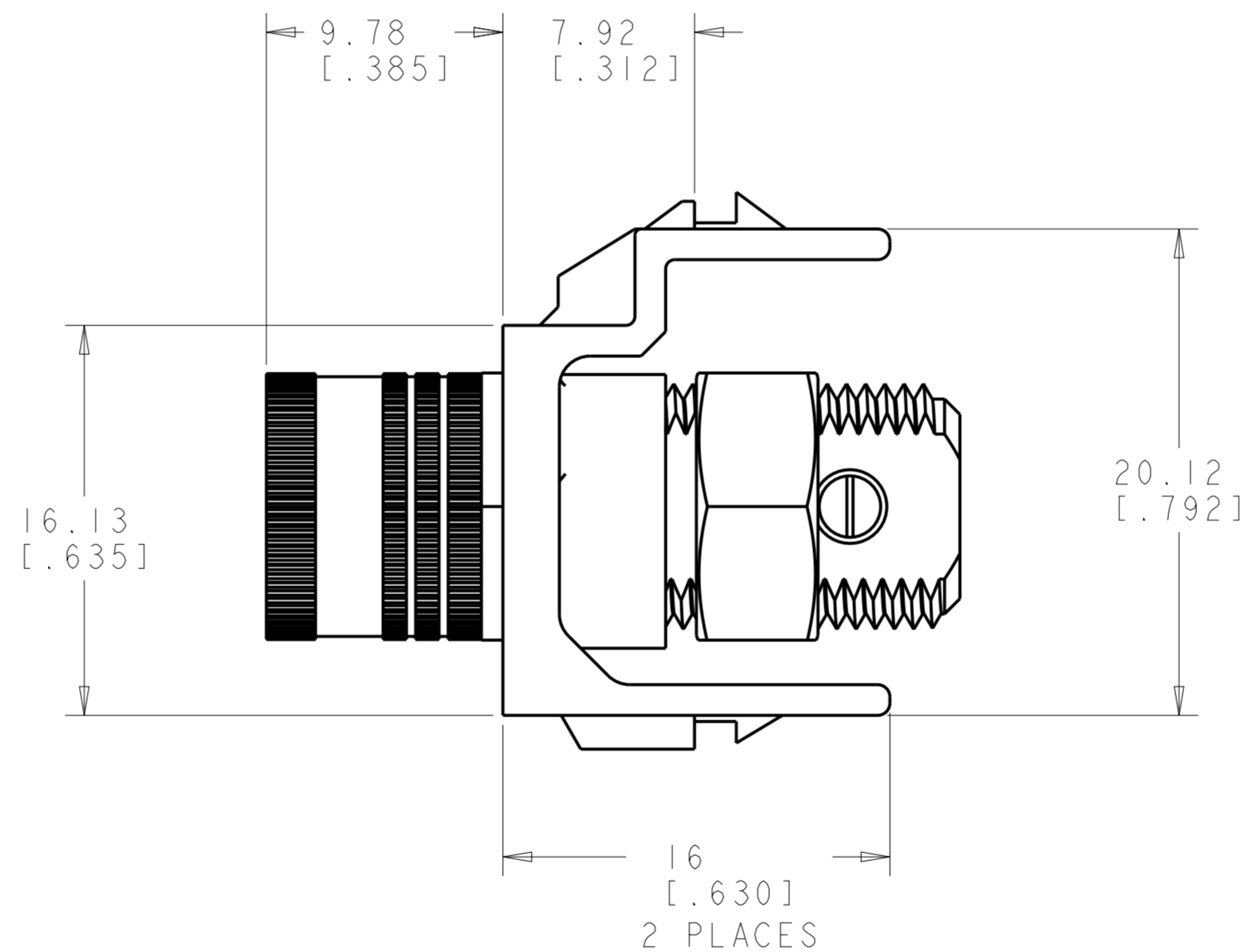
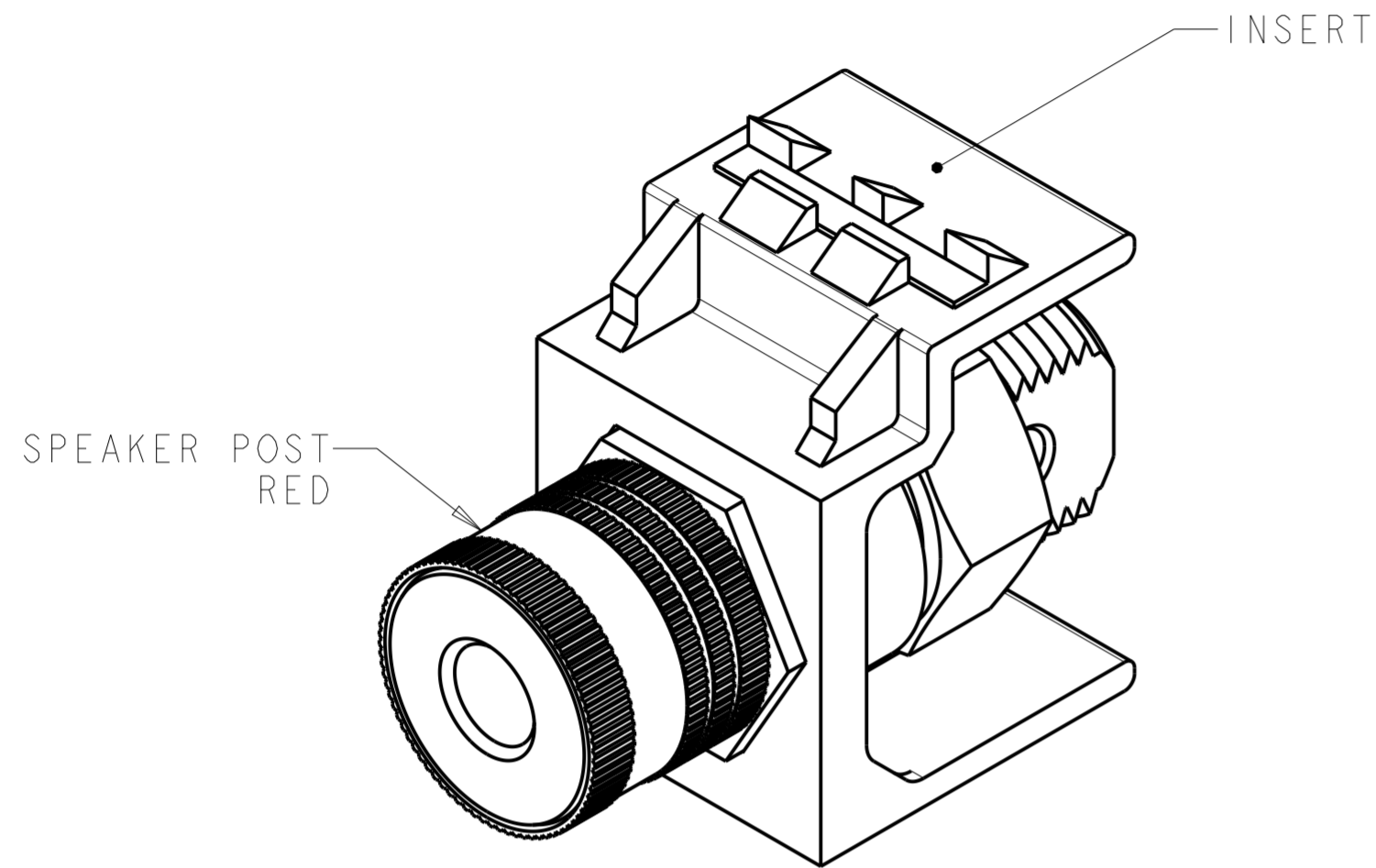
Address: A1208, Overseas Decoration Building, #122 Zhenhua RD., Futian, Shenzhen, China



THIS DRAWING IS UNPUBLISHED. RELEASED FOR PUBLICATION
 © 2016 COMMSCOPE, INC. CONFIDENTIAL NOTICE: THESE DRAWINGS AND SPECIFICATIONS ARE THE PROPRIETARY PROPERTY OF COMMSCOPE, INC. AND MAY BE USED ONLY FOR THE SPECIFIC PURPOSE AUTHORIZED IN WRITING BY COMMSCOPE, INC.

REVISIONS				
P	LTR	DESCRIPTION	DATE	APVD
C		ECO-13-007680	07MAY2013	JM RA
D		REV BNS_CD_BRAND	10FEB2017	GG DC

- ① MATERIAL:
 INSERT - POLYCARBONATE MOLDING COMPOUND, SEE TABLE FOR COLOR.
 SPEAKER POST - BRASS, GOLD PLATED.
- ② UNLESS OTHERWISE SPECIFIED ALL DIMENSIONS ARE SHOWN NOMINAL.



ALPINE WHITE	I-1479191-3
LIGHT ALMOND	1479191-1
COLOR	PART NUMBER

THIS DRAWING IS A CONTROLLED DOCUMENT.		DWN G. GARRETT 22MAR02	COMMSCOPE, INC. NAME INSERT ASSEMBLY, SPEAKER POST, RED, SL SERIES SIZE A2 CAGE CODE G-1479191 DRAWING NO. RESTRICTED TO SCALE 4:1 SHEET 1 OF 1 REV D	
DIMENSIONS: MM [INCHES]		CHK G. BOWMAN 22MAR02		
TOLERANCES UNLESS OTHERWISE SPECIFIED:		APVD G. BOWMAN 22MAR02		
0 PLC ± 1 PLC ± 2 PLC ± 3 PLC ± 4 PLC ± ANGLES ± FINISH ±		PRODUCT SPEC - APPLICATION SPEC - WEIGHT -		
MATERIAL		① -	CUSTOMER DRAWING	