



Chipsmall Limited consists of a professional team with an average of over 10 year of expertise in the distribution of electronic components. Based in Hongkong, we have already established firm and mutual-benefit business relationships with customers from,Europe,America and south Asia,supplying obsolete and hard-to-find components to meet their specific needs.

With the principle of “Quality Parts,Customers Priority,Honest Operation,and Considerate Service”,our business mainly focus on the distribution of electronic components. Line cards we deal with include Microchip,ALPS,ROHM,Xilinx,Pulse,ON,Everlight and Freescale. Main products comprise IC,Modules,Potentiometer,IC Socket,Relay,Connector.Our parts cover such applications as commercial,industrial, and automotives areas.

We are looking forward to setting up business relationship with you and hope to provide you with the best service and solution. Let us make a better world for our industry!



Contact us

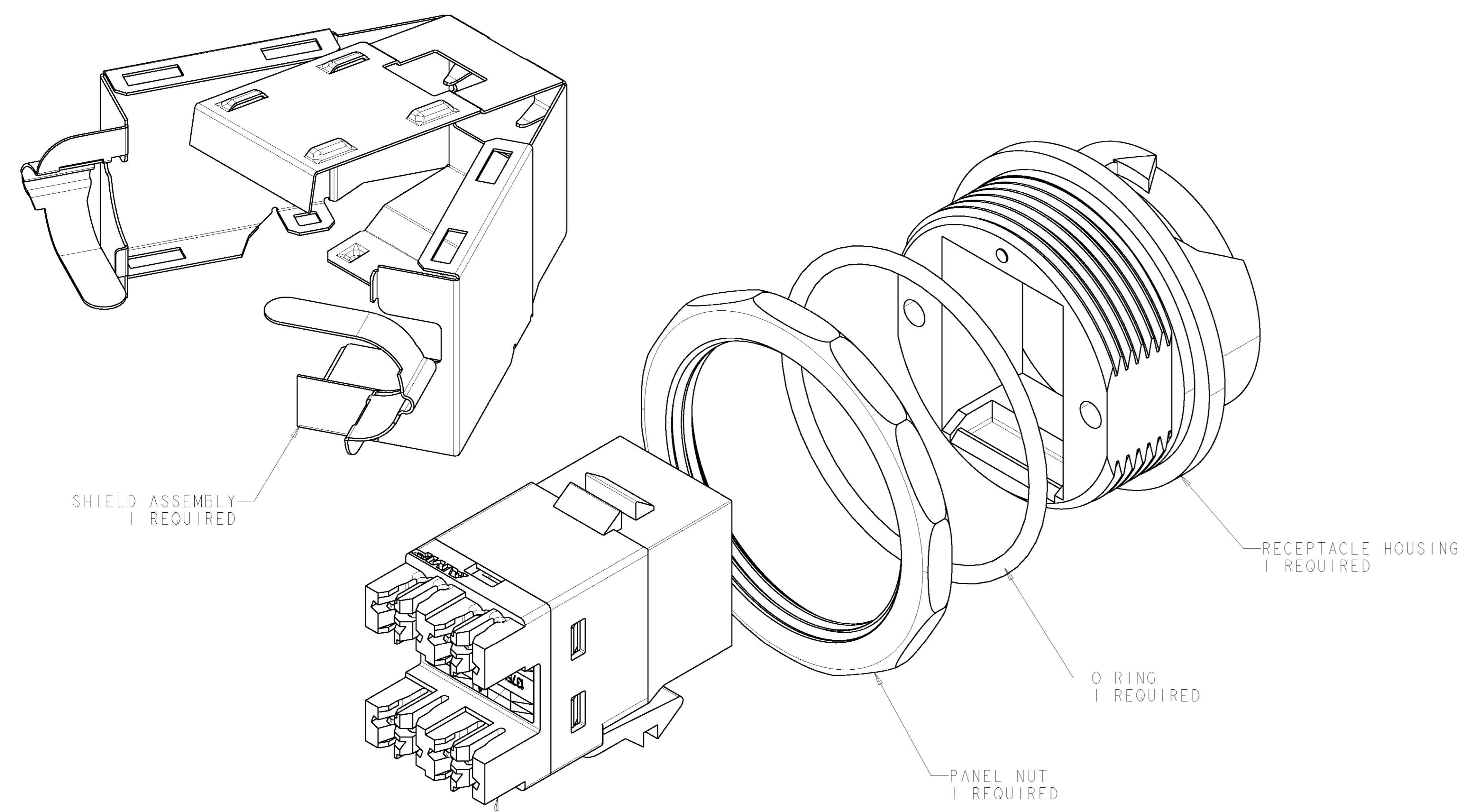
Tel: +86-755-8981 8866 Fax: +86-755-8427 6832

Email & Skype: info@chipsmall.com Web: www.chipsmall.com

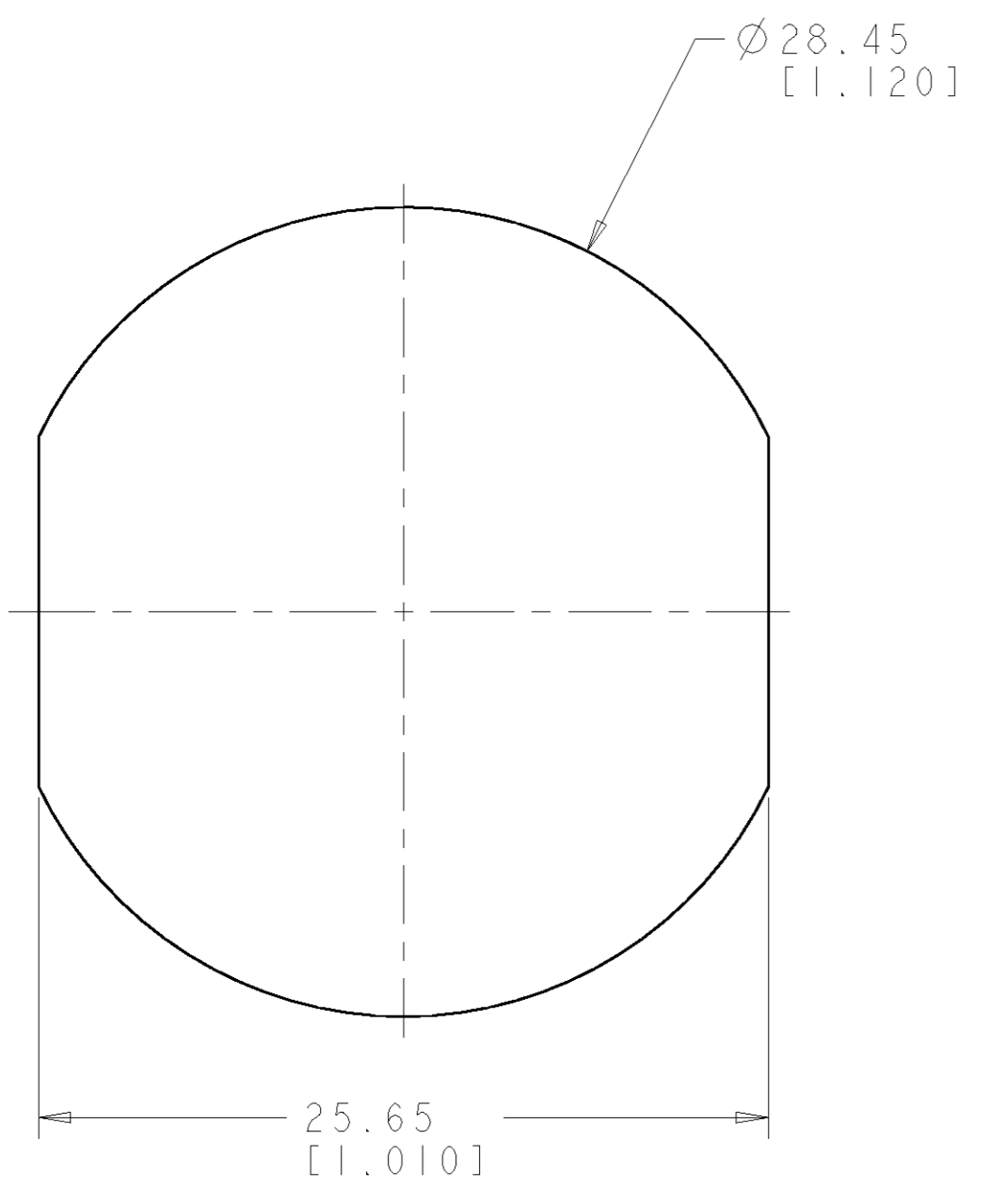
Address: A1208, Overseas Decoration Building, #122 Zhenhua RD., Futian, Shenzhen, China



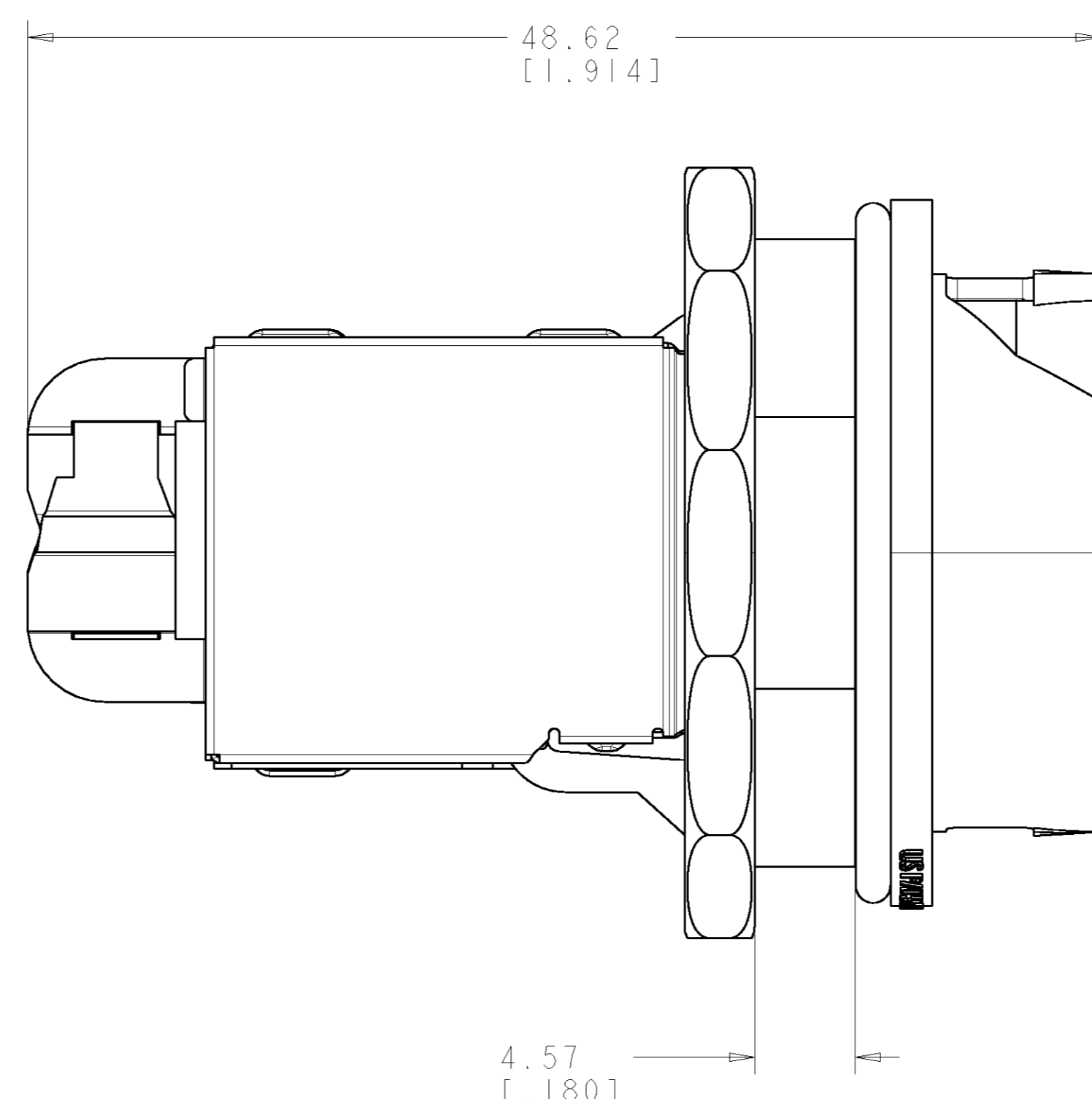
LOC	QTY	REV	DESCRIPTION	DATE	DWN	APVD
HM	00	A	RLSD - NSD03-078	21NOV03	LH	CD
		B	REV: EC 0B40-0023-04	17FEB04	GG	MD



SL 110
 CAT 5E JACK
 PART NUMBER 1375189-1
 5 1 REQUIRED



RECOMMENDED PANEL CUTOUT
 SCALE 4:1 3



4.57 [0.180]
 MAXIMUM RECOMMENDED
 PANEL THICKNESS

△ MATERIAL: JACK HOUSING - POLYPHENYLENE OXIDE, 94V-0 RATED.
 ARRAY TRAY - PBT POLYESTER.
 110 BLOCK - POLYCARBONATE.
 JACK CONTACTS - BERYLLIUM COPPER, PLATED WITH 1.27µm [0.00050] MINIMUM THICK GOLD IN LOCALIZED AREA AND 3.81µm [0.00150] MINIMUM THICK TIN-LEAD IN SOLDER AREA OVER 1.27µm [0.00050] MINIMUM THICK NICKEL UNDERPLATE.
 SHIELD - COPPER ZINC ALLOY 260 PREPLATED WITH BRIGHT NICKEL.
 IDC TERMINALS - PHOSPHOROUS BRONZE, PLATED WITH 3.81µm [0.0015] MINIMUM THICK BRIGHT TIN-LEAD OVER 1.27µm [0.0005] MINIMUM THICK NICKEL UNDERPLATE.
 RECEPTACLE HOUSING - PBT, 94V-0 RATED.
 O-RING SEALS - BUNA.
 PANEL NUT - NICKEL PLATED BRASS.

2. SL 110 JACK WILL TERMINATE 22-24 AWG SOLID CONDUCTORS AND 24 AWG STRANDED CONDUCTORS, 1.14 [0.045] MAXIMUM INSULATION DIAMETER.

- △ 3 SUGGESTED PANEL CUTOUT OPENING.
- △ 4 PACKAGED ONE MODULAR JACK, ONE SHIELD, ONE O-RING, ONE ETHERSEAL HOUSING, AND ONE PANEL NUT, PER POLYBAG. KIT SHIPPED NOT ASSEMBLED.
- △ 5 REFER TO INSTRUCTION SHEET 408-8602 FOR JACK TERMINATION ASSEMBLY INSTRUCTIONS AND 408-8875 FOR ETHERSEAL RECEPTACLE KIT ASSEMBLY INSTRUCTIONS.

DIMENSIONS:		TOLERANCES UNLESS OTHERWISE SPECIFIED:		DWN		19NOV03		BLACK		△ 1479564-2	
MM [INCHES]		0 PLC ±		C.H. HALL		21NOV03		COLOR		PART NUMBER	
1 PLC ±		1 PLC ±		C. DOOLEY		21NOV03		tyco		Tyco Electronics	
2 PLC ±		2 PLC ±		C. DOOLEY		21NOV03		Harrisburg, PA 17105-3608		NAME	
3 PLC ±		3 PLC ±		C. DOOLEY		21NOV03		KIT, ETHERSEAL, SHIELDED, CAT 5E		RESTRICTED TO	
4 PLC ±		4 PLC ±		C. DOOLEY		21NOV03		SL 110 JACK, FRONT MOUNT, BLACK		SIZE	
ANGLES		FINISH		C. DOOLEY		21NOV03		-		CAGE CODE	
MATERIAL		FINISH		C. DOOLEY		21NOV03		-		DRAWING NO	
-		-		C. DOOLEY		21NOV03		-		00779	
-		-		C. DOOLEY		21NOV03		-		C=1479564	
-		-		C. DOOLEY		21NOV03		-		SCALE	
-		-		C. DOOLEY		21NOV03		-		4:1	
-		-		C. DOOLEY		21NOV03		-		SHEET	
-		-		C. DOOLEY		21NOV03		-		1 OF 1	
-		-		C. DOOLEY		21NOV03		-		REV	
-		-		C. DOOLEY		21NOV03		-		B	
-		-		C. DOOLEY		21NOV03		-		CUSTOMER DRAWING	