



Chipsmall Limited consists of a professional team with an average of over 10 year of expertise in the distribution of electronic components. Based in Hongkong, we have already established firm and mutual-benefit business relationships with customers from,Europe,America and south Asia,supplying obsolete and hard-to-find components to meet their specific needs.

With the principle of “Quality Parts,Customers Priority,Honest Operation,and Considerate Service”,our business mainly focus on the distribution of electronic components. Line cards we deal with include Microchip,ALPS,ROHM,Xilinx,Pulse,ON,Everlight and Freescale. Main products comprise IC,Modules,Potentiometer,IC Socket,Relay,Connector.Our parts cover such applications as commercial,industrial, and automotives areas.

We are looking forward to setting up business relationship with you and hope to provide you with the best service and solution. Let us make a better world for our industry!



Contact us

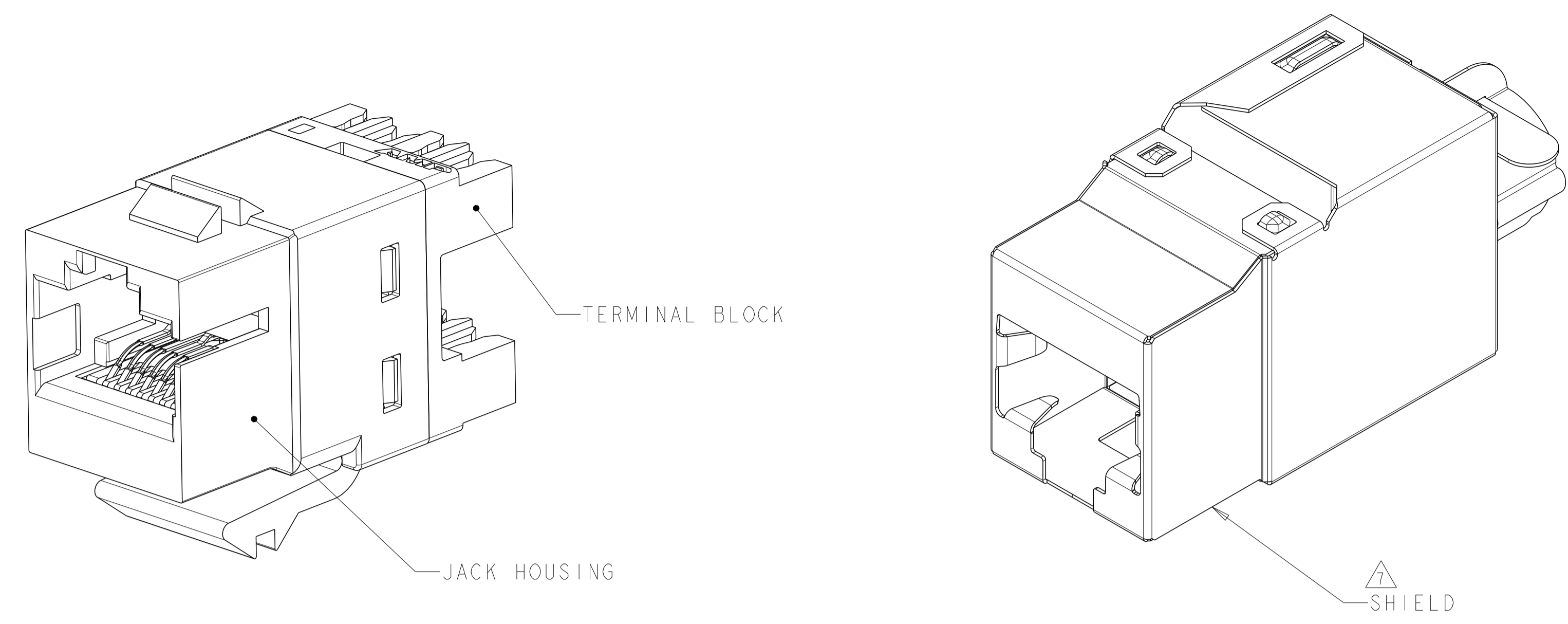
Tel: +86-755-8981 8866 Fax: +86-755-8427 6832

Email & Skype: info@chipsmall.com Web: www.chipsmall.com

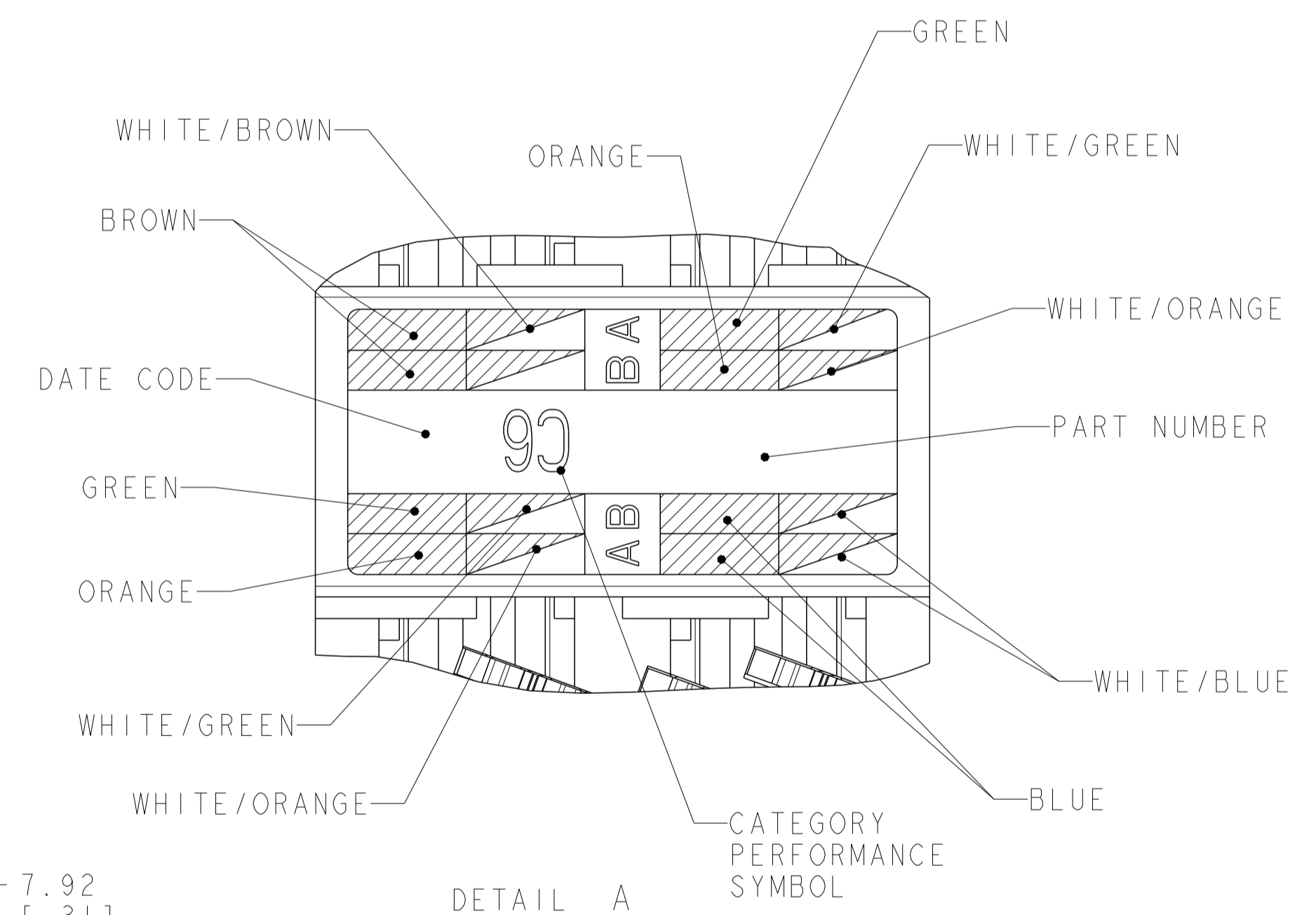
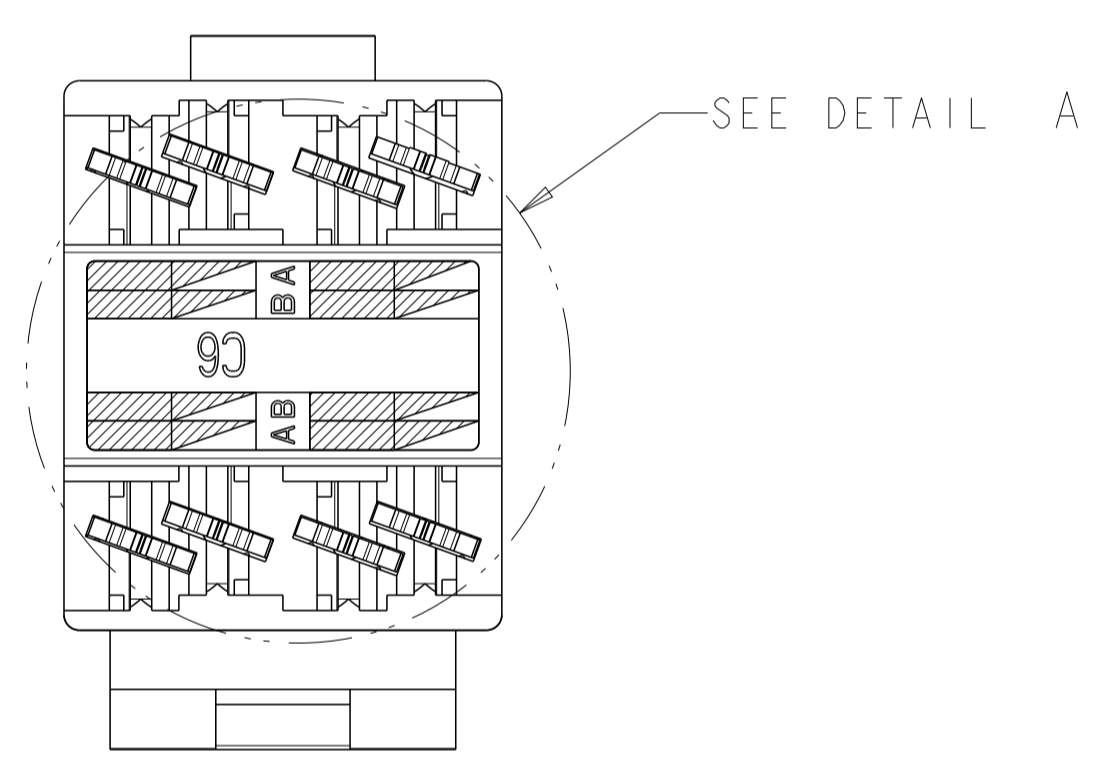
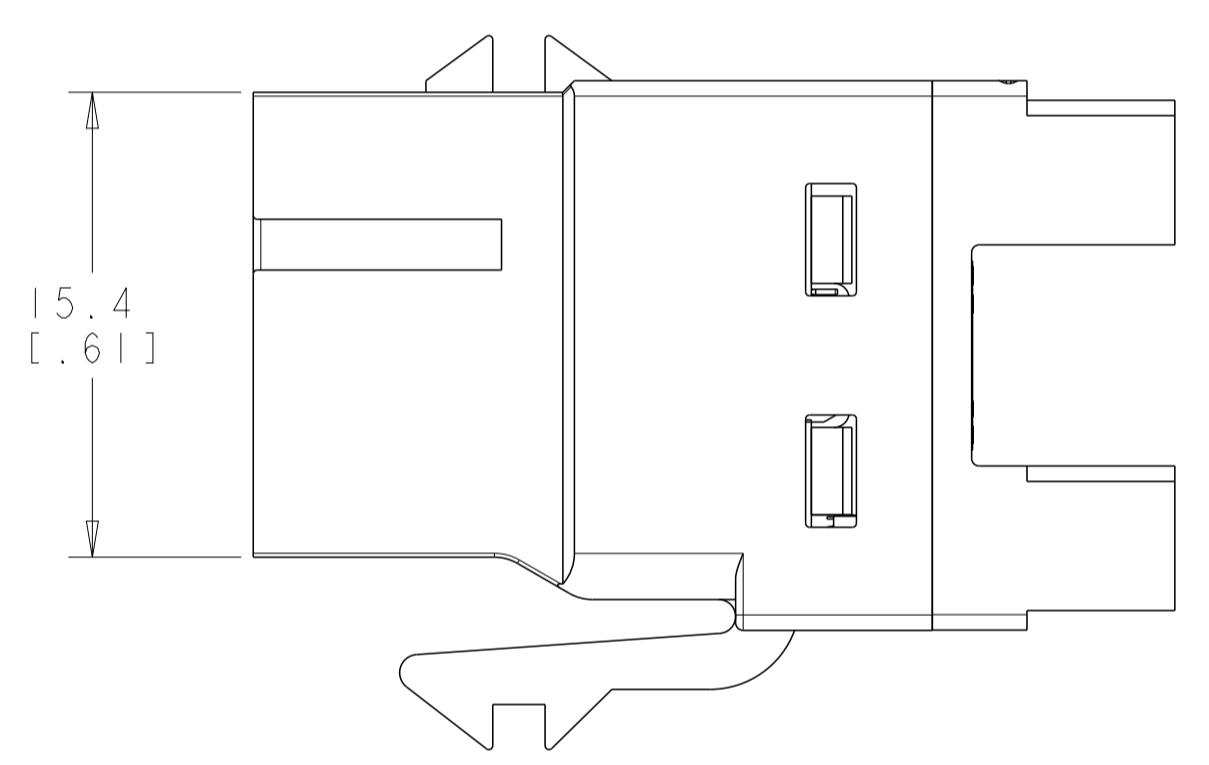
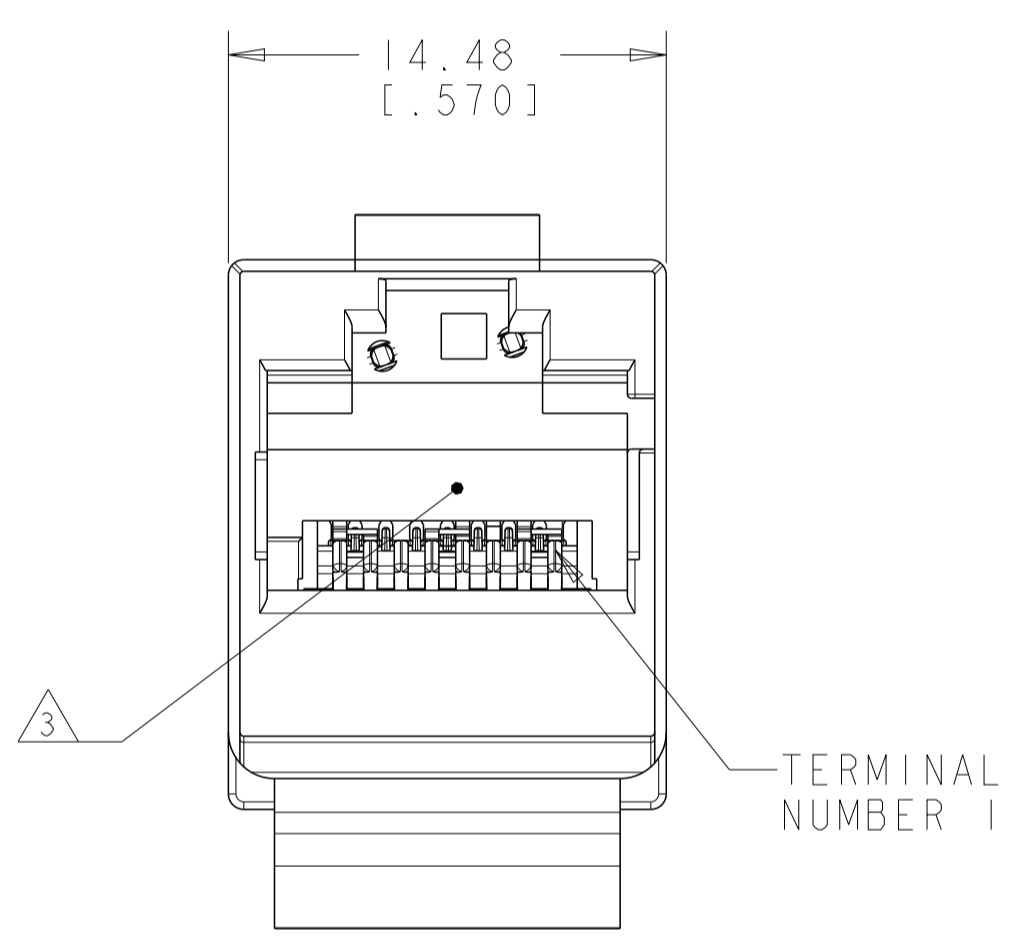
Address: A1208, Overseas Decoration Building, #122 Zhenhua RD., Futian, Shenzhen, China



LOC	DIST	REVISIONS					
		P	LTN	DESCRIPTION	DATE	DMN	APVD
HM	00	J1		REV: 40026223MCO	04NOV2015	GG	SJ



- 1 MATERIAL: JACK HOUSING - POLYCARBONATE, 94V-0 RATED.
 110 BLOCK - POLYCARBONATE.
 ARRAY TRAY - PBT POLYESTER.
 JACK CONTACTS ARRAY - BERYLLIUM COPPER, PLATED WITH
 1.27µm [.000050] MINIMUM THICK GOLD IN LOCALIZED
 AREA AND 3.81µm [.000150] MINIMUM THICK MATTE TIN IN
 BOARD INTERFACE AREA OVER 1.27µm [.000050] MINIMUM THICK
 NICKEL UNDERPLATE.
 IDC TERMINALS - PHOSPHOROUS BRONZE, PLATED WITH
 3.81µm [.00015] MINIMUM THICK MATTE TIN OVER
 1.27µm [.00005] MINIMUM THICK NICKEL UNDERPLATE.
- 2. SL 110 JACK WILL TERMINATE 22-24 AWG SOLID AND 24-26 AWG
 STRANDED CONDUCTORS, 1.27[.050] MAXIMUM INSULATION DIAMETER.
- 3 CAVITY CONFORMS TO FCC RULES AND REGULATIONS
 PART 68 SUBPART F REQUIREMENTS.
- 4. MOUNTING PANEL THICKNESS 1.47 - 1.60 [.058 - .063].
- 5 THESE TWO SUGGESTED CUTOUT OPENINGS ARE USED
 IN TANDEM WITH DUAL FRONT AND BACK CUTOUTS.
- 6 ONE MODULAR JACK ASSEMBLY AND ONE SHIELD PER POLYBAG.
- 7 SHIELD SHIPPED NOT ASSEMBLED.
- 8 JACKS MATE WITH SECURE RJ45 PLUGS ONLY.
 KEY COMBINATIONS 1 THROUGH 4, SHOWN ON SHEET 2.
 COMPONENTS REMOVED FROM RESPECTIVE VIEWS FOR CLARITY.
- 9. REFER TO 408-8858 FOR TERMINATION INSTRUCTIONS USING SL
 SERIES TOOL TERMINATION. REFER TO 408-8417 FOR TERMINATION
 INSTRUCTIONS USING 110 PUNCH DOWN TOOL.



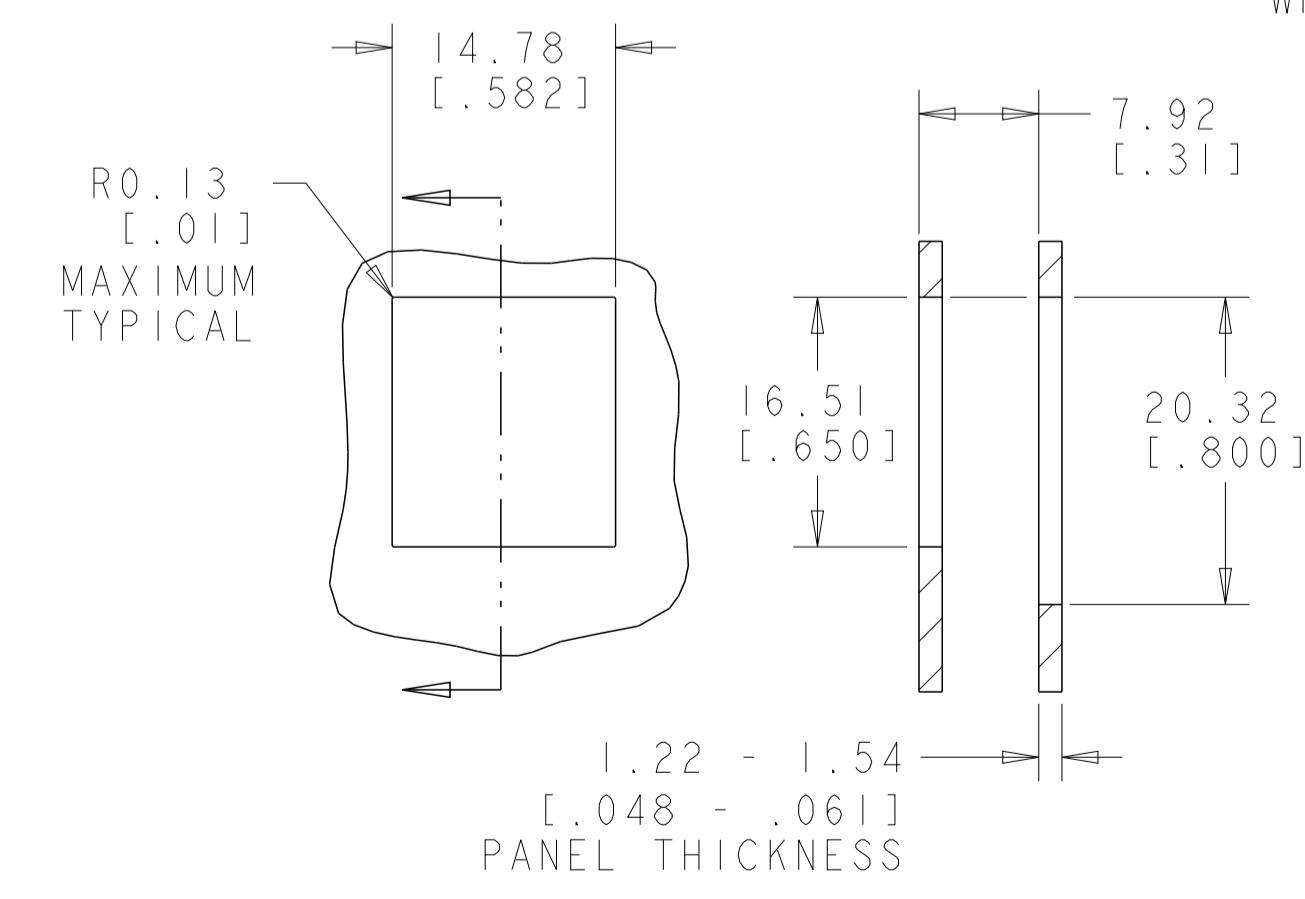
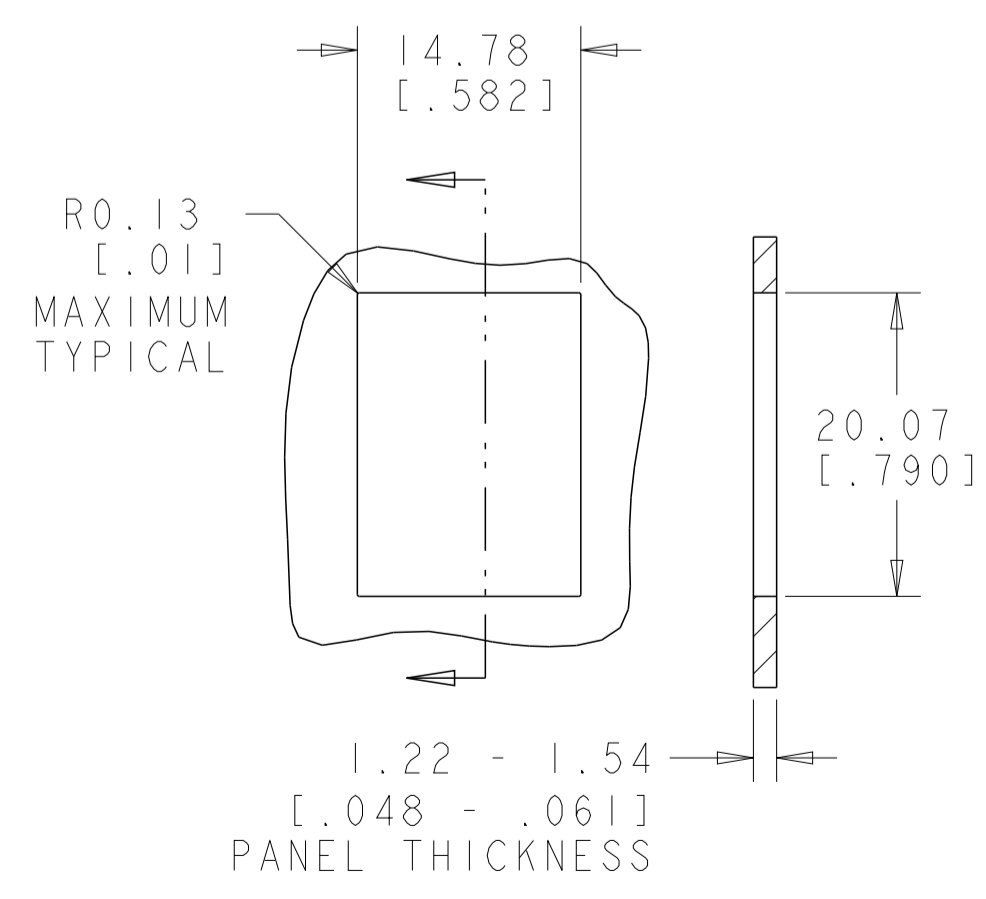
1479795-1 KEY 1 SHOWN

COLOR CODE	IDC TERMINAL	MODULAR JACK	
WHITE/BLUE	5		5
BLUE	4		4
WHITE/ORANGE	3		1
ORANGE	6		2
WHITE/GREEN	1		3
GREEN	2		6
WHITE/BROWN	7		7
BROWN	8		8

ELECTRICAL SCHEMATIC T568A

COLOR CODE	IDC TERMINAL	MODULAR JACK	
WHITE/BLUE	5		5
BLUE	4		4
WHITE/ORANGE	1		1
ORANGE	2		2
WHITE/GREEN	3		3
GREEN	6		6
WHITE/BROWN	7		7
BROWN	8		8

ELECTRICAL SCHEMATIC T568B



DETAIL A
SCALE 8:1

PACKAGE	KEY	COLOR	PART NUMBER
6	4	BLUE	1479795-4
	3	GREEN	1479795-3
	2	YELLOW	1479795-2
	1	RED	1479795-1

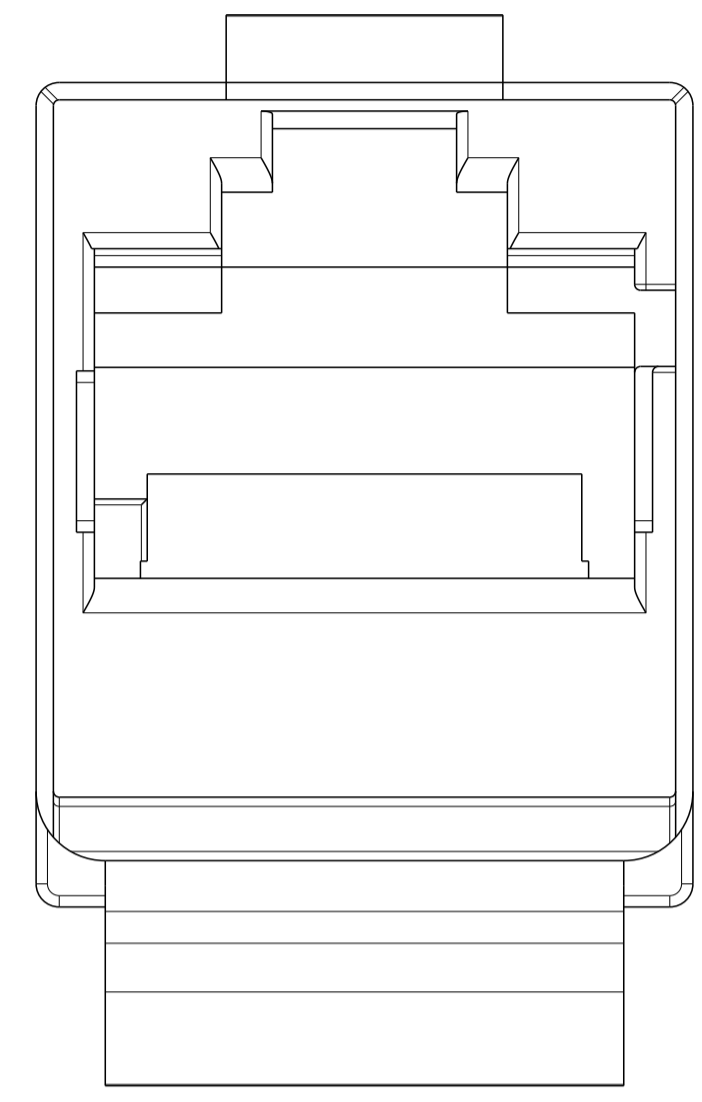
THIS DRAWING IS A CONTROLLED DOCUMENT.

DIMENSIONS: MM [inches]	TOLERANCES UNLESS OTHERWISE SPECIFIED:	DMN G. GARRETT 13JUL2005	CHK C. DOOLEY 13JUL2005	APVD C. DOOLEY 13JUL2005	NAME ASSEMBLY, SL 110 JACK, SHIELDED, CAT 6, SECURE RJ45, REAR ENTRY
0 PLC ±	1 PLC ±	2 PLC ±	3 PLC ±	4 PLC ±	ANGLES ±
MATERIAL	FINISH	WEIGHT	DRAWING NO	RESTRICTED TO	

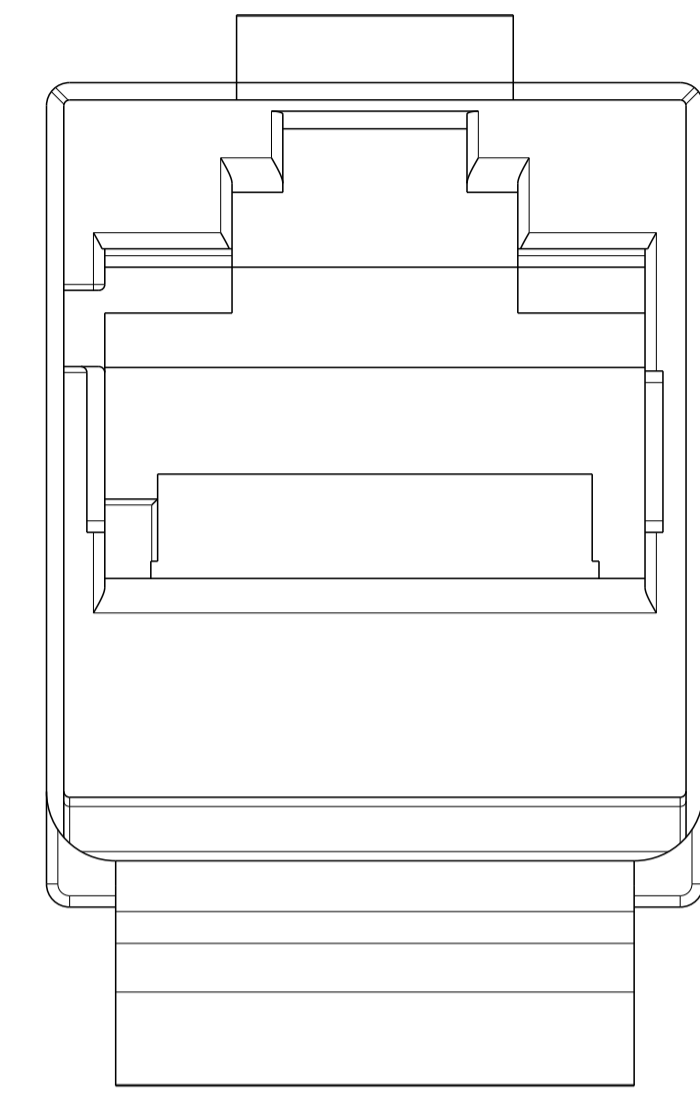
Customer Drawing SCALE 2:1 SHEET 1 OF 2 REV J1

THIS DRAWING IS UNPUBLISHED. RELEASED FOR PUBLICATION 20
 © COPYRIGHT 20 BY - ALL RIGHTS RESERVED.

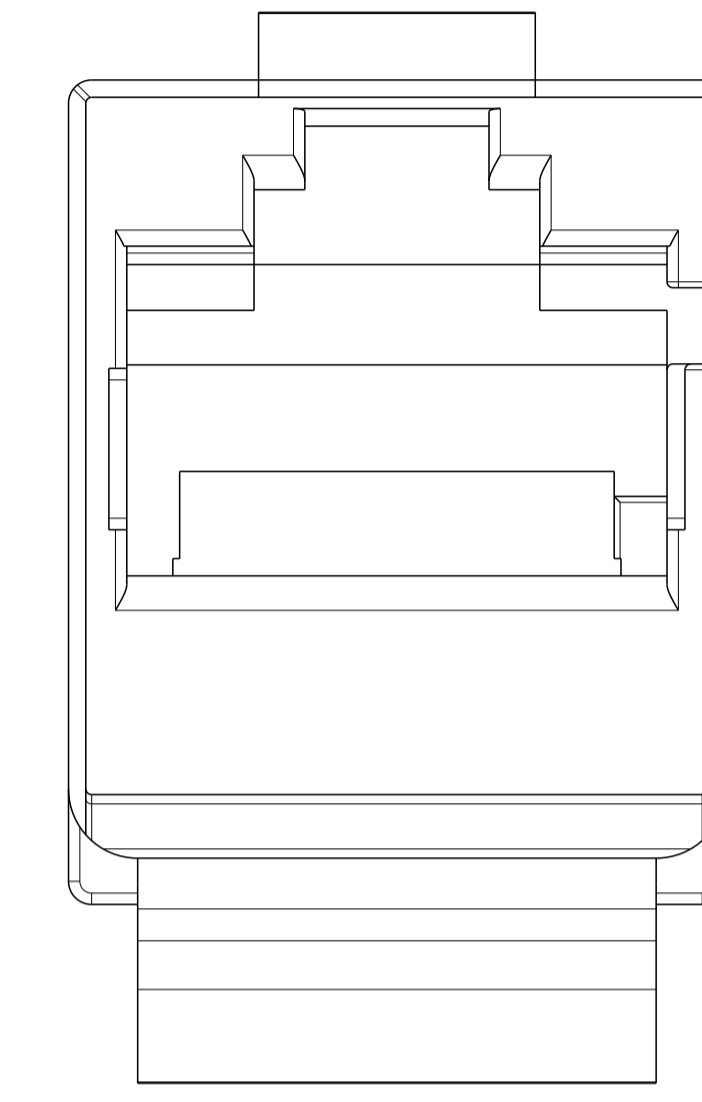
LOC		DIST		REVISIONS			
P	LTN	DESCRIPTION	DATE	DWN	APVD		
-	-	SEE SHEET 1	-	-	-		



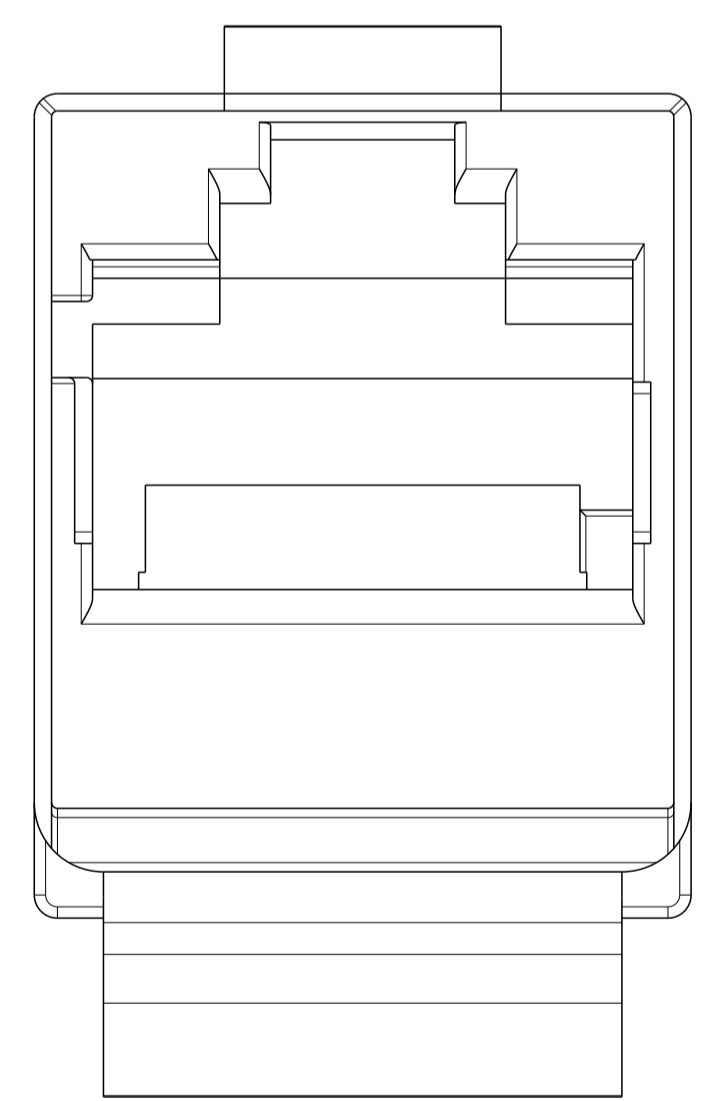
1479795-1 ⚠
KEY 1, RED



1479795-2 ⚠
KEY 2, YELLOW



1479795-3 ⚠
KEY 3, GREEN



1479795-4 ⚠
KEY 4, BLUE

THIS DRAWING IS A CONTROLLED DOCUMENT.		DWN G. GARRETT 13JUL2005	
DIMENSIONS: MM[inches]		CHK C. DOOLEY 13JUL2005	
TOLERANCES UNLESS OTHERWISE SPECIFIED:		APVD C. DOOLEY 13JUL2005	NAME ASSEMBLY, SL 110 JACK, SHIELDED, CAT 6, SECURE RJ45, REAR ENTRY
0 PLC ±	1 PLC ±	PRODUCT SPEC	RESTRICTED TO
2 PLC ±	3 PLC ±	APPLICATION SPEC	SIZE CAGE CODE DRAWING NO
4 PLC ±	ANGLES ±	WEIGHT	A100779C=1479795
FINISH ±		Customer Drawing	SCALE 2:1 SHEET 2 OF 2 REV J1