



Chipsmall Limited consists of a professional team with an average of over 10 year of expertise in the distribution of electronic components. Based in Hongkong, we have already established firm and mutual-benefit business relationships with customers from,Europe,America and south Asia,supplying obsolete and hard-to-find components to meet their specific needs.

With the principle of "Quality Parts,Customers Priority,Honest Operation,and Considerate Service",our business mainly focus on the distribution of electronic components. Line cards we deal with include Microchip,ALPS,ROHM,Xilinx,Pulse,ON,Everlight and Freescale. Main products comprise IC,Modules,Potentiometer,IC Socket,Relay,Connector.Our parts cover such applications as commercial,industrial, and automotives areas.

We are looking forward to setting up business relationship with you and hope to provide you with the best service and solution. Let us make a better world for our industry!



Contact us

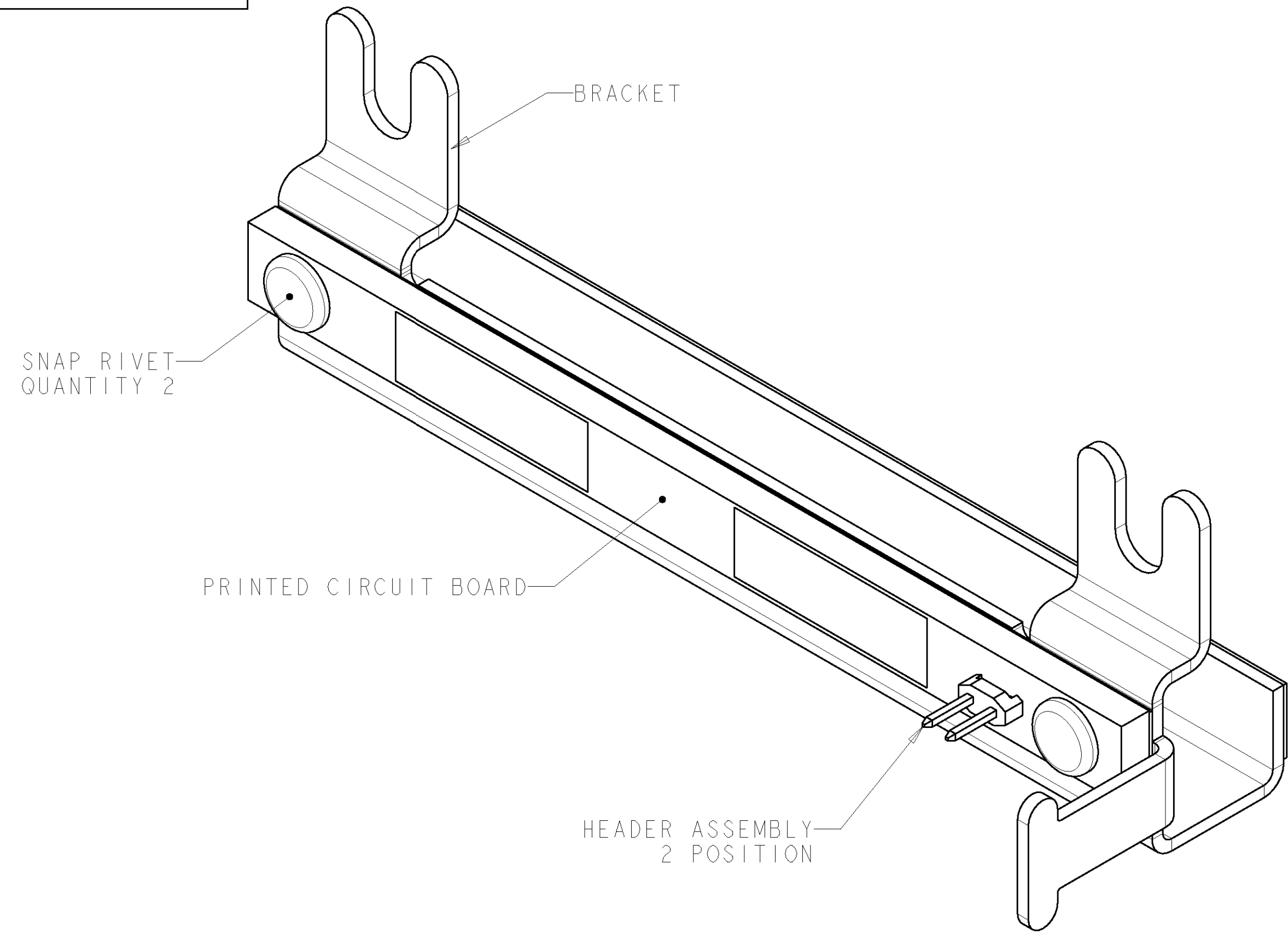
Tel: +86-755-8981 8866 Fax: +86-755-8427 6832

Email & Skype: info@chipsmall.com Web: www.chipsmall.com

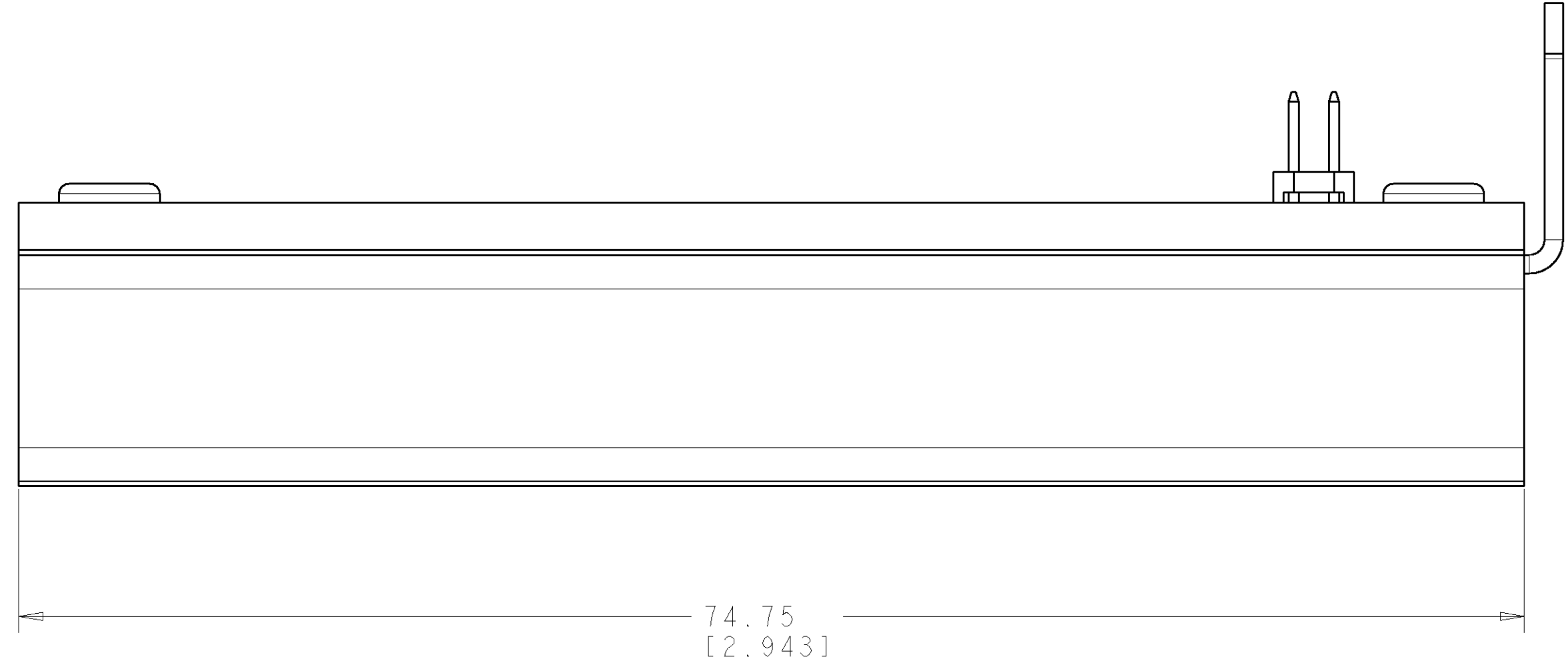
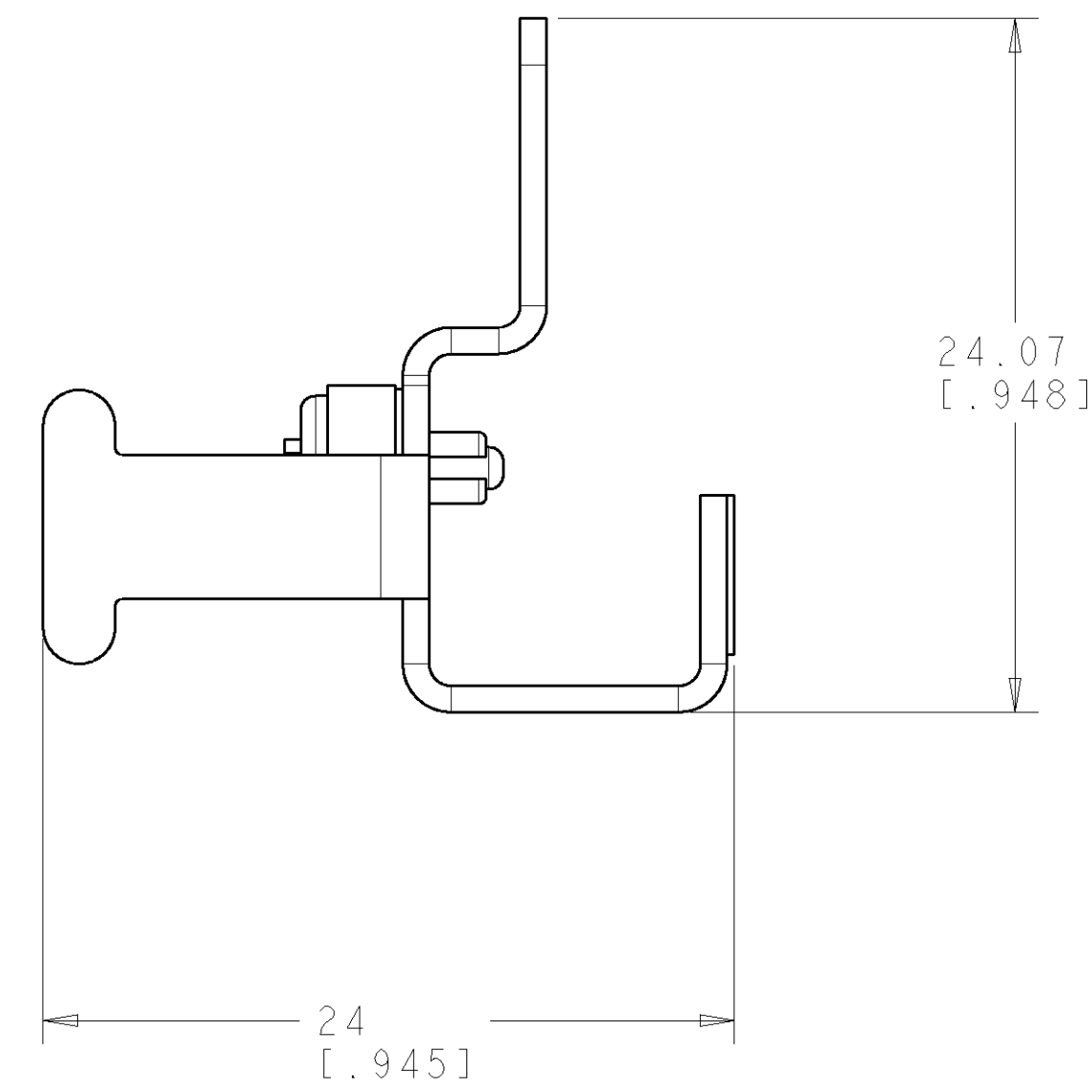
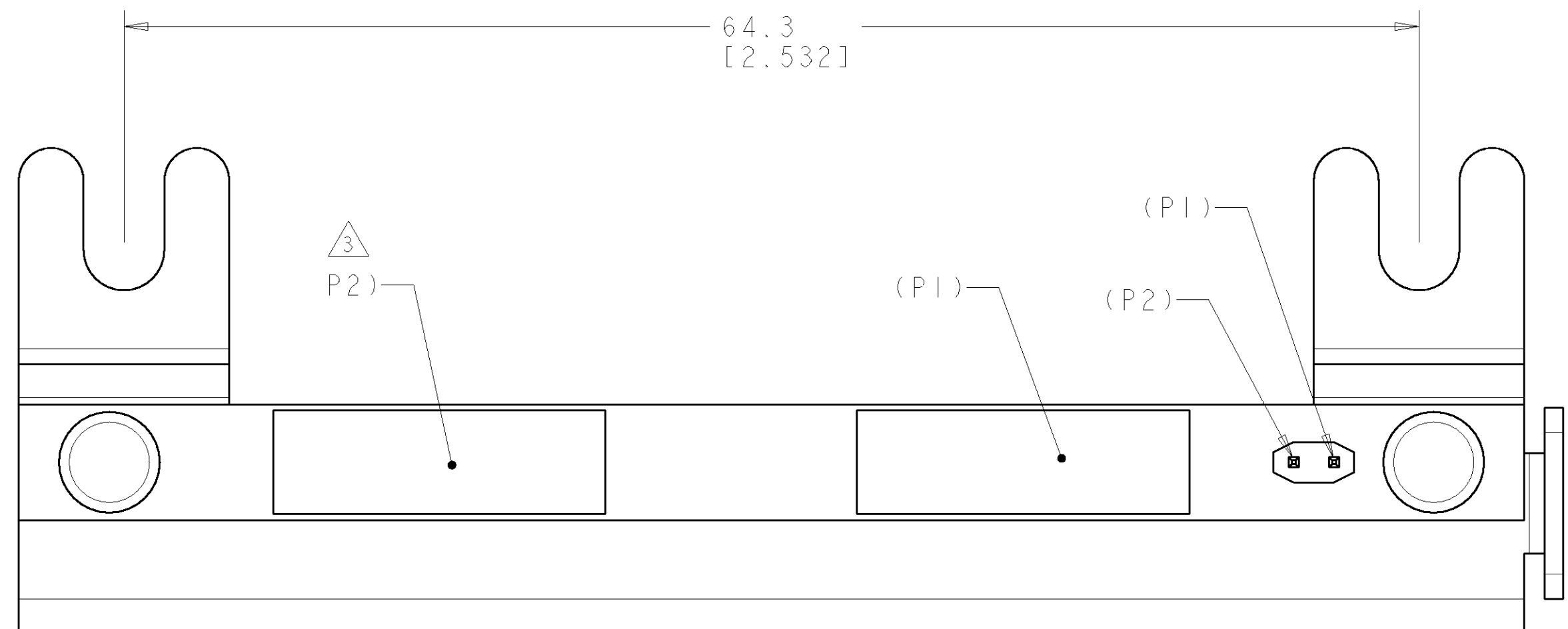
Address: A1208, Overseas Decoration Building, #122 Zhenhua RD., Futian, Shenzhen, China



LOC		DIST		REVISIONS			
P	LTR	DESCRIPTION	DATE	DWN	APVD		
A		RLSD; NPR NS004-136	08NOV2004	GG	PP		
B		ADD: -2; EC 0660-0004-05	25JAN2005	GG	MD		



- △ MATERIAL:
 PRINTED CIRCUIT BOARD - LAMINATED PLASTIC FR-4.
 ADHESIVE TAPE - MYLAR, 0.38 [0.015] THICK WITH ADHESIVE.
 HOUSING - THERMOPLASTIC, UL94V-0, BLACK.
 CONTACTS - COPPER ALLOY.
 BRACKET - COLD ROLL STEEL, BLACK.
 RIVETS - NYLON.
- △ ALL DIMENSIONS SHOWN ARE NOMINAL.
- △ (P_) CALLOUTS ARE FOR PIN TO PAD REFERENCE ONLY.



0.40 [0.016]	1479890-2
2.36 [0.093]	1479890-1
PCB THICKNESS	PART NUMBER

<small>THE DIMENSIONS IN THIS DRAWING ARE UNLESS OTHERWISE SPECIFIED TO THE DIMENSIONS OF THE PARTS AND ASSEMBLIES SHOWN THEREIN. DIMENSIONS ARE TO BE TAKEN TO THE CENTER OF THE PARTS UNLESS OTHERWISE SPECIFIED.</small>		DWN: G. GARRETT 08NOV2004 ENR: P. PEPE 08NOV2004 APVD: P. PEPE 08NOV2004	tyco Electronics Tyco Electronics Harrisburg, PA 17105-3608
DIMENSIONS: MM [INCHES]	TOLERANCES UNLESS OTHERWISE SPECIFIED: 0 PLC ± 1 PLC ± 2 PLC ± 3 PLC ± 4 PLC ± ANGLES ±	PRODUCT SPEC APPLICATION SPEC WEIGHT CUSTOMER DRAWING	NAME: KIT, 2 PORT SENSOR STRIP, AMPTRAC SIZE: A 00779 C=1479890 SCALE: 4:1 SHEET 1 OF 1 REV B