



Chipsmall Limited consists of a professional team with an average of over 10 year of expertise in the distribution of electronic components. Based in Hongkong, we have already established firm and mutual-benefit business relationships with customers from,Europe,America and south Asia,supplying obsolete and hard-to-find components to meet their specific needs.

With the principle of “Quality Parts,Customers Priority,Honest Operation,and Considerate Service”,our business mainly focus on the distribution of electronic components. Line cards we deal with include Microchip,ALPS,ROHM,Xilinx,Pulse,ON,Everlight and Freescale. Main products comprise IC,Modules,Potentiometer,IC Socket,Relay,Connector.Our parts cover such applications as commercial,industrial, and automotives areas.

We are looking forward to setting up business relationship with you and hope to provide you with the best service and solution. Let us make a better world for our industry!



Contact us

Tel: +86-755-8981 8866 Fax: +86-755-8427 6832

Email & Skype: info@chipsmall.com Web: www.chipsmall.com

Address: A1208, Overseas Decoration Building, #122 Zhenhua RD., Futian, Shenzhen, China



Revision level		Revision Record	Changed	Date	Approved	Date
part	drawing					
—	01	See ECN 011616	A.A.C.	08/27/10	K.A.C.	08/31/10

HOUSING:
POLYCARBONATE

Material

Dimension tolerances
unless otherwise specified

.XXXX = ± .0130
.XXX = ± .300
.XX = ± .30
.X = ± .2
∠ = ± 0.5 °

Dimension Units mm

Stripping Length:

11mm(.45 in)

Wire Range:

0.5–2.5 mm²

Solid/Stranded(VDE)

(12–22 AWG

Solid/Stranded) MAX 7

Cores

Working Temp:

–30°C(–22°F)to

110°C(230°F) (VDE)

–22°F(–30°C) to

221°F(105°C) (cULus)

Voltage:

600V(cULus)

Current:

24A

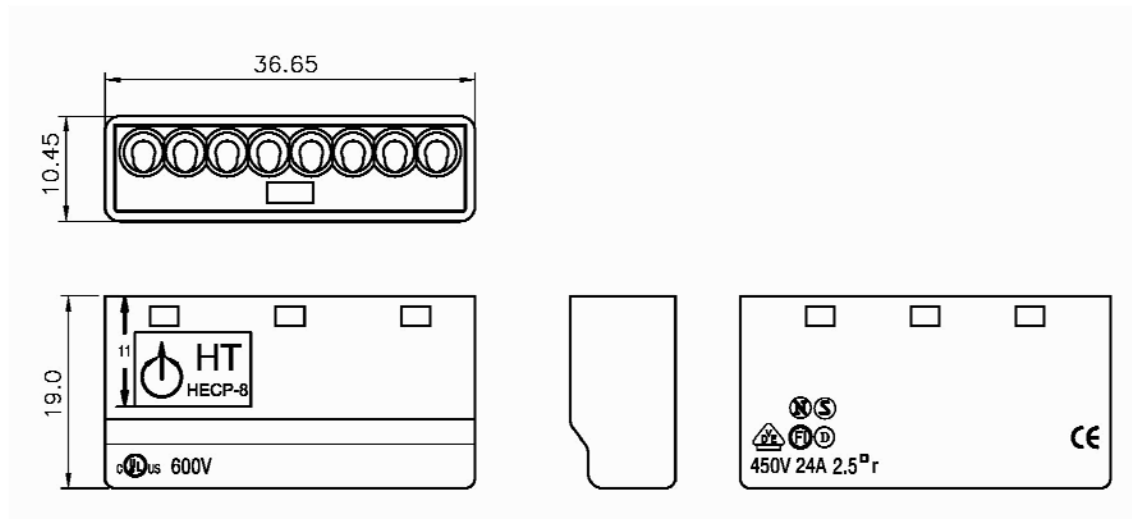
Certifications:

UL E316080, KEMA–KEUR

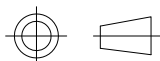
VDE,FIMKO,ENEC,CEBEC,

NEMKO, DEMKO

PERFORMANCE
SPECIFICATION



ACAD MECH
2009



Drawn A.A.C. 08/27/10

Approved K.A..C. 08/31/10

Scale: NTS

Computer File Number
WC\CST\XWC-HPR017CSU_01

Title Phase: Production

HECP-8
HELACON PLUS
PUSH-IN WIRE CONNECTOR

ALL PROPRIETARY RIGHTS IN THE
SUBJECT MATTER SHOWN ON THIS
DRAWING ARE EXCLUSIVE
PROPERTY OF HELLERMANNTYTON

HellermannTyton

7930 N. Faulkner Rd.
Milwaukee, WI 53224
Ph: (414) 355–1130
Fx: (414) 362–8342

Drawing–No

XWC-HPR017CSU

Format

AH

Sheet 1 of 1