



Chipsmall Limited consists of a professional team with an average of over 10 year of expertise in the distribution of electronic components. Based in Hongkong, we have already established firm and mutual-benefit business relationships with customers from,Europe,America and south Asia,supplying obsolete and hard-to-find components to meet their specific needs.

With the principle of “Quality Parts,Customers Priority,Honest Operation,and Considerate Service”,our business mainly focus on the distribution of electronic components. Line cards we deal with include Microchip,ALPS,ROHM,Xilinx,Pulse,ON,Everlight and Freescale. Main products comprise IC,Modules,Potentiometer,IC Socket,Relay,Connector.Our parts cover such applications as commercial,industrial, and automotives areas.

We are looking forward to setting up business relationship with you and hope to provide you with the best service and solution. Let us make a better world for our industry!



## Contact us

Tel: +86-755-8981 8866 Fax: +86-755-8427 6832

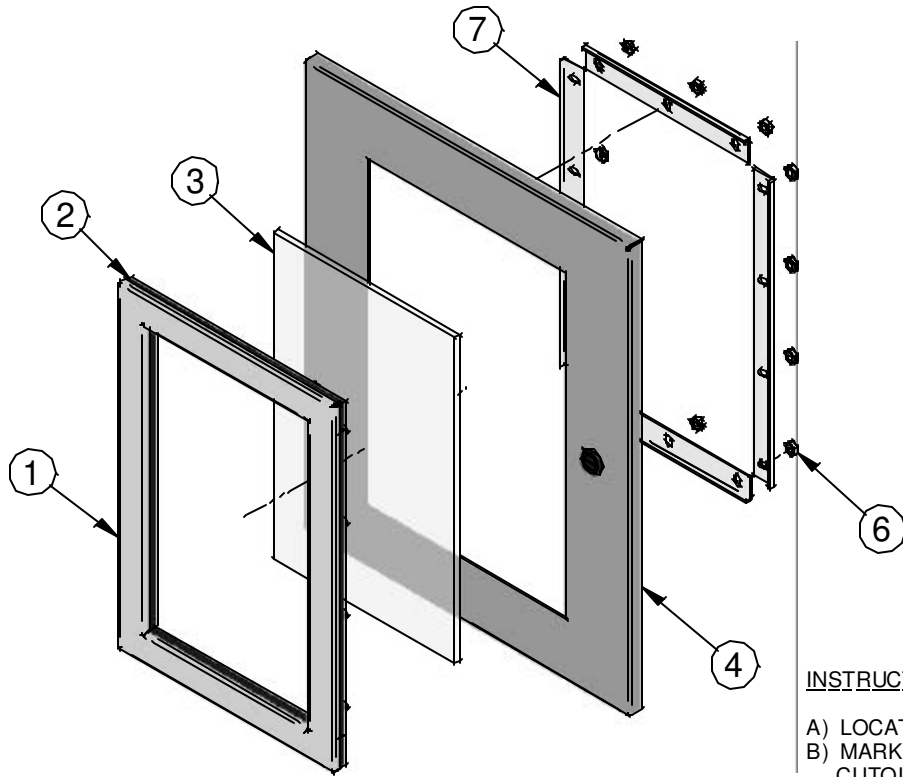
Email & Skype: info@chipsmall.com Web: www.chipsmall.com

Address: A1208, Overseas Decoration Building, #122 Zhenhua RD., Futian, Shenzhen, China



# 1481WN4 - SERIES

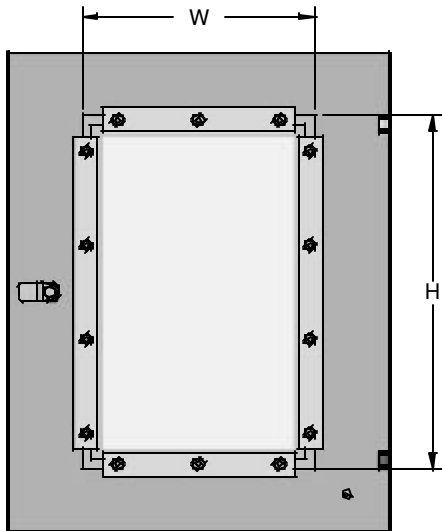
## ASSEMBLY INSTRUCTIONS FOR 1481 - WINDOW KITS



ITEM #	DESCRIPTION
1	1481 WINDOW FRAME
2	GSK. ROGERS 3/8 X 1-1/4
3	6MM CLEAR PLEXI
4	ENCLOSURE COVER (REF.)
6	NUT 1/4-20 HEX ZP
7	1481W - CLAMP BRACKET

**INSTRUCTIONS :**

- A) LOCATE WINDOW KIT IN DESIRED LOCATION.
- B) MARK CUTOUT USING CHART TO CONFIRM PROPER CUTOUT SIZE.
- C) CUT OPENING AND FILE SHARP EDGES.
- D) INSTALL WINDOW INTO PLACE (AS SHOWN) USING SUPPLIED HARDWARE.
- E) TIGHTEN FASTENERS UNTIL THE WINDOW FRAME IS FLUSH AGAINST THE ENCLOSURE COVER.



VIEWED FROM INSIDE OF COVER

PART SHOWN -

PART NUMBER		CUTOUT SIZE [in]	
(MILD STEEL)	(STAINLESS STEEL)	H	W
1481WN40503*	1481WN4SS0503*	6.69	4.69
1481WN40905	1481WN4SS0905	10.69	7.19
1481WN41303*	---	14.69	4.69
1481WN41308	1481WNSS41308	14.69	9.69
1481WN41705	---	18.69	7.19
1481WN41711	1481WN4SS1711	18.69	12.69
1481WN42315	1481WN4SS2315	24.69	16.69
1481WN42919	1481WN4SS2919	30.69	20.69
1481WN43523	---	36.69	24.69

\* HORIZONTAL CLAMP BRACKETS NOT REQUIRED

