



Chipsmall Limited consists of a professional team with an average of over 10 year of expertise in the distribution of electronic components. Based in Hongkong, we have already established firm and mutual-benefit business relationships with customers from,Europe,America and south Asia,supplying obsolete and hard-to-find components to meet their specific needs.

With the principle of "Quality Parts,Customers Priority,Honest Operation,and Considerate Service",our business mainly focus on the distribution of electronic components. Line cards we deal with include Microchip,ALPS,ROHM,Xilinx,Pulse,ON,Everlight and Freescale. Main products comprise IC,Modules,Potentiometer,IC Socket,Relay,Connector.Our parts cover such applications as commercial,industrial, and automotives areas.

We are looking forward to setting up business relationship with you and hope to provide you with the best service and solution. Let us make a better world for our industry!



## Contact us

Tel: +86-755-8981 8866 Fax: +86-755-8427 6832

Email & Skype: info@chipsmall.com Web: www.chipsmall.com

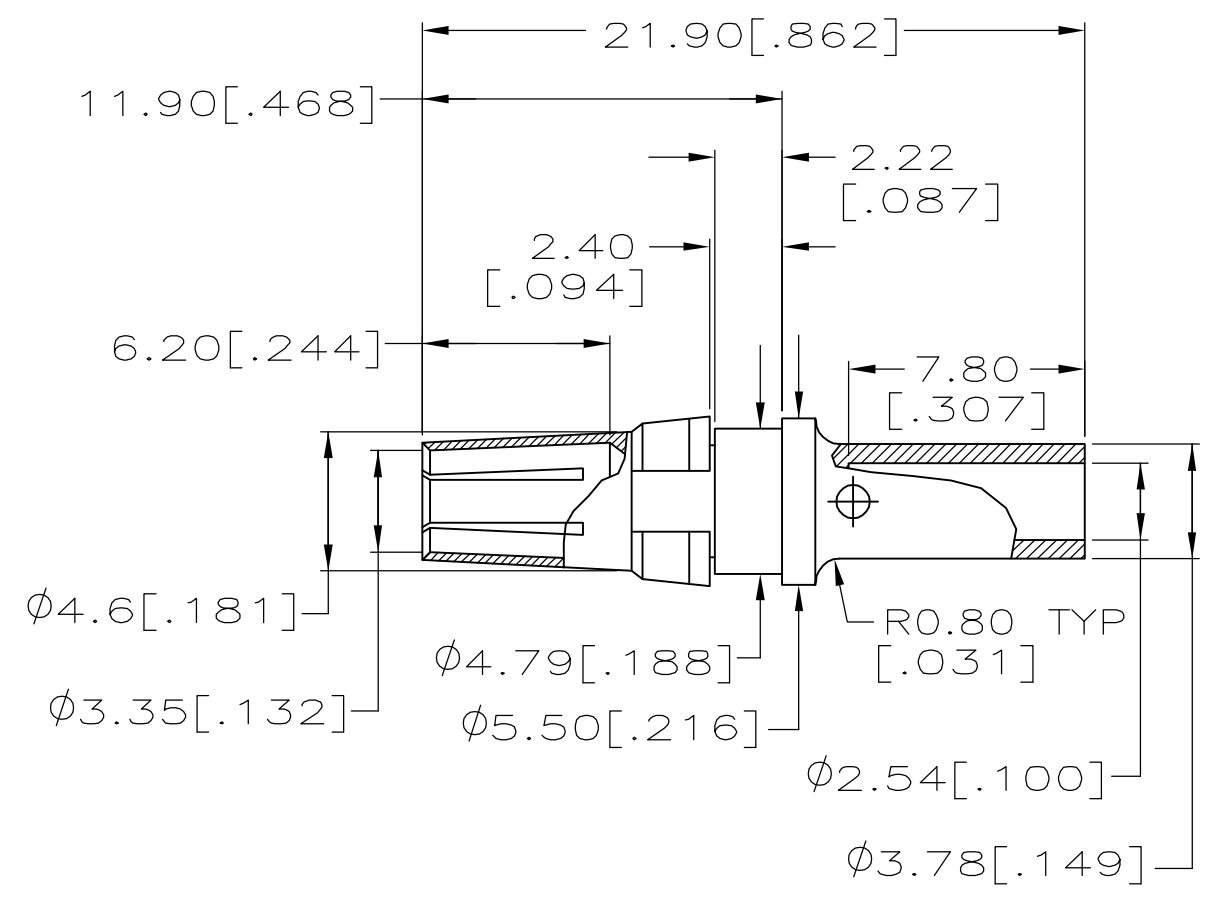
Address: A1208, Overseas Decoration Building, #122 Zhenhua RD., Futian, Shenzhen, China



THIS DRAWING IS UNPUBLISHED. RELEASED FOR PUBLICATION  
 © COPYRIGHT BY TYCO ELECTRONICS CORPORATION. ALL RIGHTS RESERVED.

LOC		DIST		REVISIONS			
AD	00	P	LTR	DESCRIPTION	DATE	DWN	APVD
			D	REV PER ECO-05-0094418	13SEP05	BC	RP

1. WIRE BARREL WILL ACCEPT 12-14 AWG WIRE.
2. MATES WITH PART NUMBER 148248-1.
3. RECOMMENDED CRIMPING TOOL: DANIELS TOOL #M300-BT, POSITIONER PART NUMBER SP689, SETTING #1, STRIP LENGTH 8.13[.320].
4. 0.00076 [.000030] MIN GOLD PLATE IN MATING AREA.  
TIN LEAD PLATE IN CRIMP AREA.



CONTACT; COPPER ALLOY	148221-1
RETAINING RING; COPPER ALLOY	
MATERIAL	PART NUMBER

THIS DRAWING IS A CONTROLLED DOCUMENT.		DWN	L. BRINER	19APR96	<b>tyco</b> Electronics	Tyco Electronics Corporation	
DIMENSIONS: mm [INCHES]		CHK	R. PATTERSON	19APR96		Harrisburg, PA 17105-3608	
TOLERANCES UNLESS OTHERWISE SPECIFIED:		APVD	R. PATTERSON	19APR96	NAME		
0 PLC ± -		PRODUCT SPEC		POWER CONTACT, FEMALE			
1 PLC ± -		APPLICATION SPEC		CRIMP, AWG 12-14, (20 AMP)			
2 PLC ± 0.13[.005]		SIZE	A3	CAGE CODE	00779	DRAWING NO	C-148221
3 PLC ± -		WEIGHT		RESTRICTED TO		-	
4 PLC ± -		CUSTOMER DRAWING		SCALE	4:1	SHEET	1 OF 1
ANGLES ± -		FINISH		REV		D	
MATERIAL SEE TABLE		4					