



Chipsmall Limited consists of a professional team with an average of over 10 year of expertise in the distribution of electronic components. Based in Hongkong, we have already established firm and mutual-benefit business relationships with customers from,Europe,America and south Asia,supplying obsolete and hard-to-find components to meet their specific needs.

With the principle of “Quality Parts,Customers Priority,Honest Operation,and Considerate Service”,our business mainly focus on the distribution of electronic components. Line cards we deal with include Microchip,ALPS,ROHM,Xilinx,Pulse,ON,Everlight and Freescale. Main products comprise IC,Modules,Potentiometer,IC Socket,Relay,Connector.Our parts cover such applications as commercial,industrial, and automotives areas.

We are looking forward to setting up business relationship with you and hope to provide you with the best service and solution. Let us make a better world for our industry!



Contact us

Tel: +86-755-8981 8866 Fax: +86-755-8427 6832

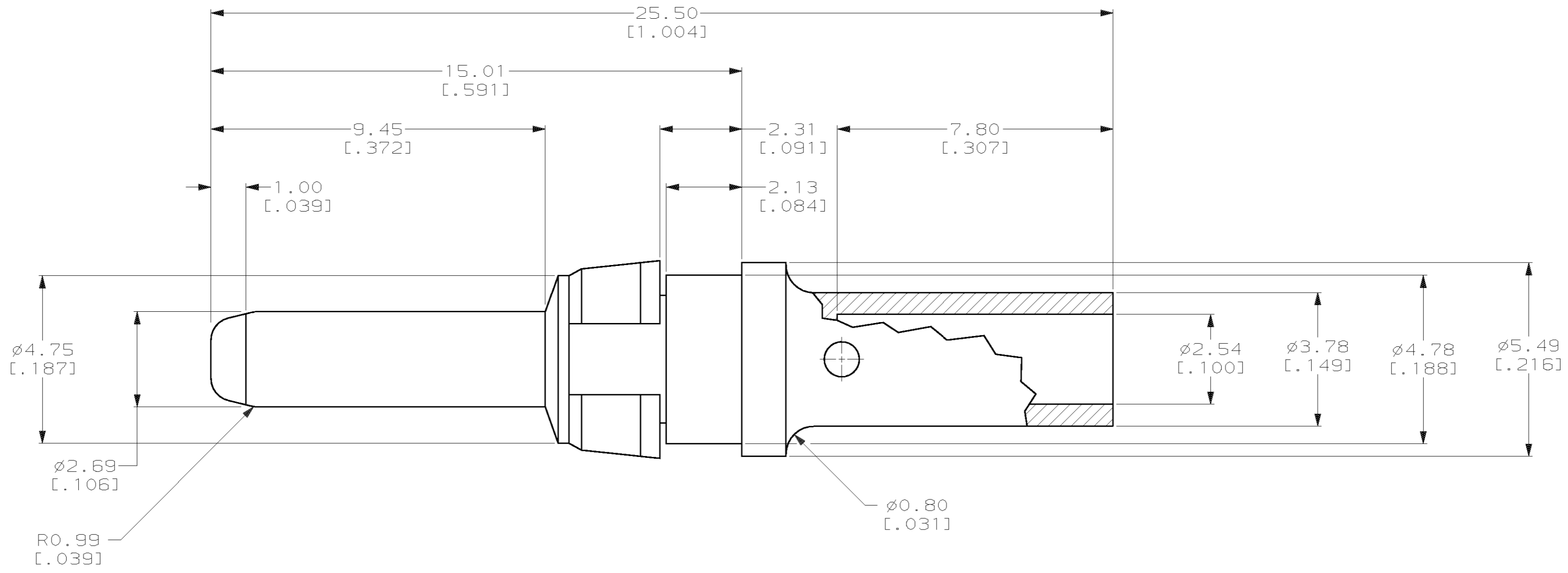
Email & Skype: info@chipsmall.com Web: www.chipsmall.com

Address: A1208, Overseas Decoration Building, #122 Zhenhua RD., Futian, Shenzhen, China



THIS DRAWING IS UNPUBLISHED. RELEASED FOR PUBLICATION .19
 BY AMP INCORPORATED. ALL RIGHTS RESERVED.

LOC	DIST	REVISIONS			
P	LTR	DESCRIPTION	DATE	DWN	APVD
AD	25	C	REDRAWN PER EC 001B-0034-00	23 MAR 00	-



- 1 CONTACT: BRASS.
RETAINING RING: BERYLLIUM COPPER.
- 2 CONTACT: 0.76µm[.000030] MIN GOLD
OVER 1.27µm[.000050] MIN NICKEL.
- 3. WIRE BARREL WILL ACCEPT 12-14 AWG WIRE.
- 4. MATES WITH 148250-1.
- 5. RECOMMENDED CRIMPING TOOL: DANIELS TOOL
#M300-BT, POSITIONER PART NUMBER SP689,
SETTING #1, STRIP LENGTH 8.13[.320].

148249-1
PART NUMBER

THIS DRAWING IS A CONTROLLED DOCUMENT.		DWN B.CARBO 23 MAR 00	AMP Incorporated Harrisburg, PA 17105-3608	
DIMENSIONS: mm [INCHES]		CHK C.RICHARD 23 MAR 00	NAME POWER CONTACT, MALE, CRIMP, "MFBL", AWG 12-14 (20 AMP)	
TOLERANCES UNLESS OTHERWISE SPECIFIED:		APVD C.RICHARD 23 MAR 00	SIZE A2	
0 PLC ±- 1 PLC ±- 2 PLC ±0.13 [.005] 3 PLC ±- 4 PLC ±- ANGLES ±-		PRODUCT SPEC -	CAGE CODE 00779	DRAWING NO 148249
MATERIAL 1	FINISH 2	APPLICATION SPEC -	RESTRICTED TO -	SCALE 10:1
CUSTOMER DRAWING		WEIGHT -	SHEET 1 OF 1	REV C

148249