



Chipsmall Limited consists of a professional team with an average of over 10 year of expertise in the distribution of electronic components. Based in Hongkong, we have already established firm and mutual-benefit business relationships with customers from,Europe,America and south Asia,supplying obsolete and hard-to-find components to meet their specific needs.

With the principle of “Quality Parts,Customers Priority,Honest Operation,and Considerate Service”,our business mainly focus on the distribution of electronic components. Line cards we deal with include Microchip,ALPS,ROHM,Xilinx,Pulse,ON,Everlight and Freescale. Main products comprise IC,Modules,Potentiometer,IC Socket,Relay,Connector.Our parts cover such applications as commercial,industrial, and automotives areas.

We are looking forward to setting up business relationship with you and hope to provide you with the best service and solution. Let us make a better world for our industry!



Contact us

Tel: +86-755-8981 8866 Fax: +86-755-8427 6832

Email & Skype: info@chipsmall.com Web: www.chipsmall.com

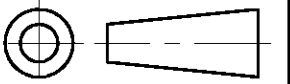
Address: A1208, Overseas Decoration Building, #122 Zhenhua RD., Futian, Shenzhen, China



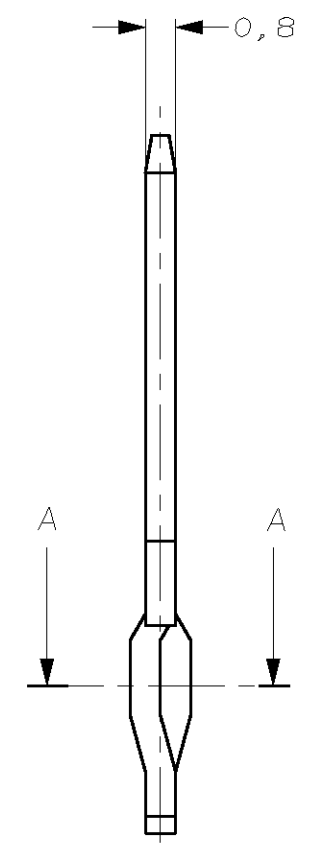
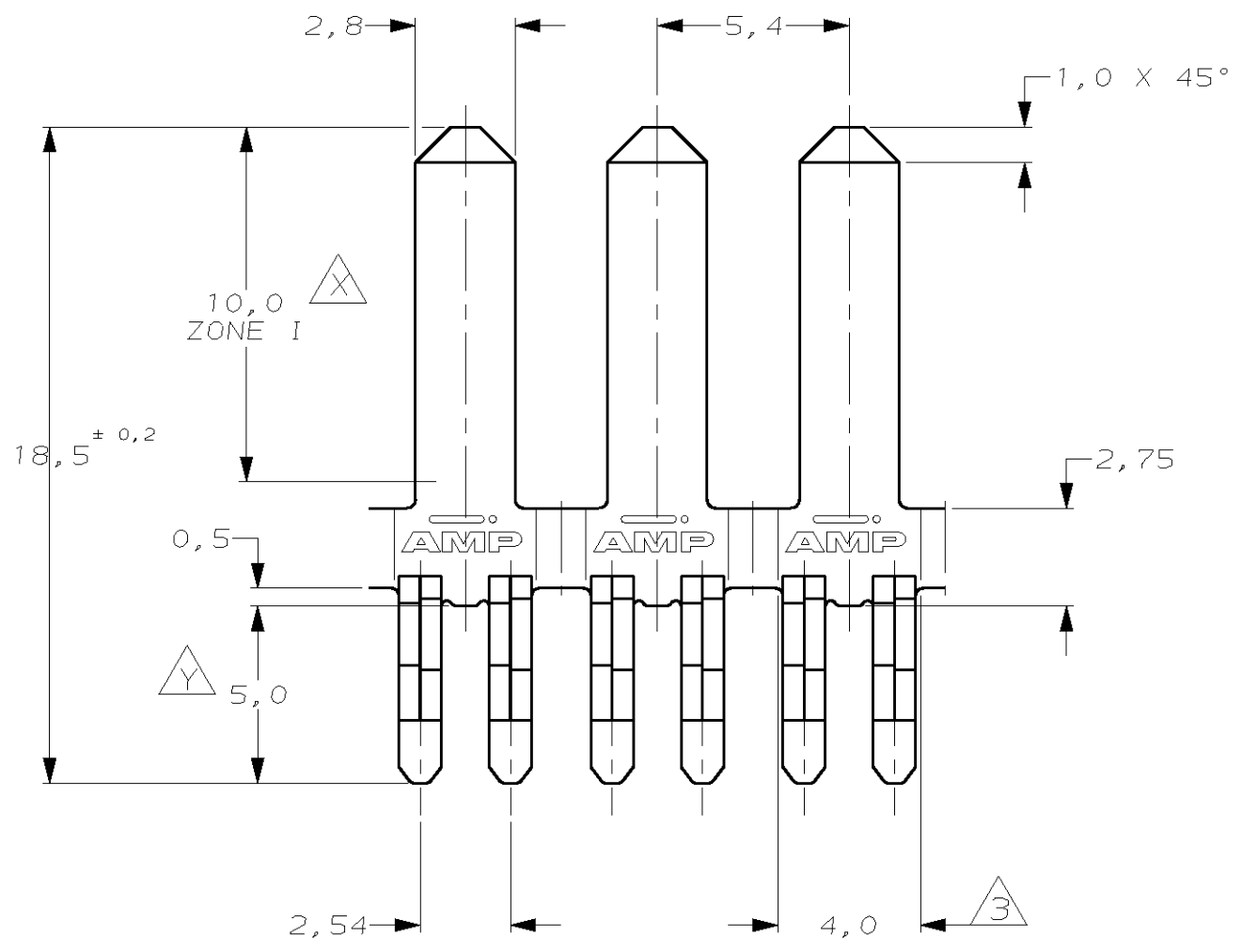
DO NOT SCALE
DIMENSIONS IN mm

METRIC

THIRD ANGLE
PROJECTION

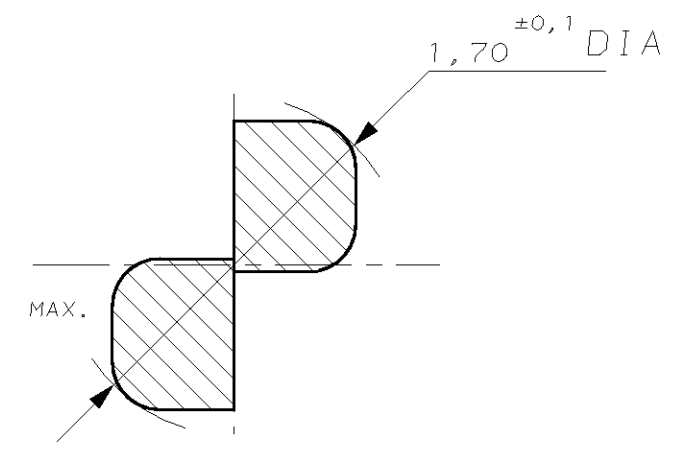


P.C.B. HOLE DIM. ACTION PIN		
DRILLED HOLE	:1,6 ±0,025	mm
FIN. HOLE	:1,39 ±0,15	mm
AFTER REFLOW	:1,37 ±0,15	mm
Cu-thks	:0,025 to 0,075	mm
Sn-thks	:0,004 to 0,010	mm



NOTES:

- ① PHOSPHORBRONZE
- ② 2,54-5,00 μm Sn over
1,25-2,00 μm Nickel
- ③ CUT OFF WIDTH.
- ④ PLATING: UNDERLAYER; 1,25μm-2,00μm NICKEL
ZONE X; 3μm Ag MIN.
ZONE Y; 2,54μm-5,00μm Sn



SECTION A-A
SCALE 5:1

				④	①	1483313-3
				②	①	1483313-2
				FINISH	MATERIAL	PARTNUMBER
				CUSTOMER DRAWING FOR REFERENCE ONLY WILL NOT BE UPDATED		
				© COPYRIGHT 19- BY AMP HOLLAND B.V. ALL INTERNATIONAL RIGHTS RESERVED. AMP PRODUCTS MAY BE COVERED BY U.S. AND FOREIGN AND/OR PATENTS PENDING.		
				THIS DRAWING IS UNPUBLISHED RELEASED FOR PUBLICATION ,19		
B1	EG00-2298-03	Abr	C.G.	02-07-03	tyco Electronics	tyco NEDERLAND B.V. s-Hertogenbosch, The Netherlands.
B	EH00-0806-01	RvH	A.B	19-07-01		
A	EH-0711-01	RvH	A.B	25-06-01		
LTR.	REVISION RECORD		DR.	CHK.	DATE	NAME
DR.:	RvHEUVEN	CHK.:	A. BIJNEN	APP.:	A. BIJNEN	DWG. No.
DATE:	19-07-01	DATE:	19-07-01	DATE:	19-07-01	C-1483313
				REV. LTR.	SHEET	A3
				B1	1 OF 1	