



Chipsmall Limited consists of a professional team with an average of over 10 year of expertise in the distribution of electronic components. Based in Hongkong, we have already established firm and mutual-benefit business relationships with customers from,Europe,America and south Asia,supplying obsolete and hard-to-find components to meet their specific needs.

With the principle of “Quality Parts,Customers Priority,Honest Operation,and Considerate Service”,our business mainly focus on the distribution of electronic components. Line cards we deal with include Microchip,ALPS,ROHM,Xilinx,Pulse,ON,Everlight and Freescale. Main products comprise IC,Modules,Potentiometer,IC Socket,Relay,Connector.Our parts cover such applications as commercial,industrial, and automotives areas.

We are looking forward to setting up business relationship with you and hope to provide you with the best service and solution. Let us make a better world for our industry!



## Contact us

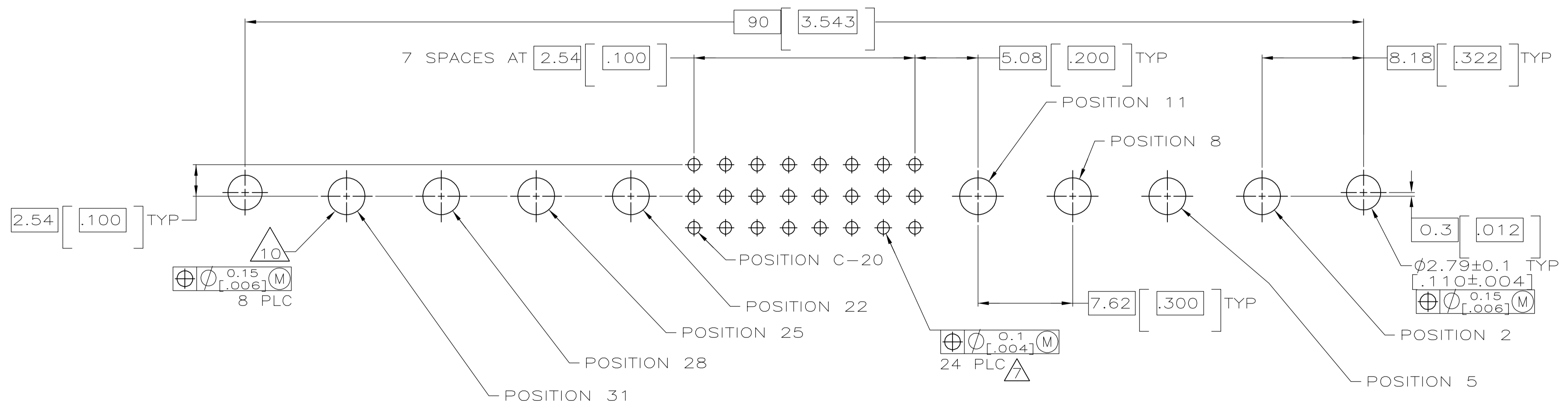
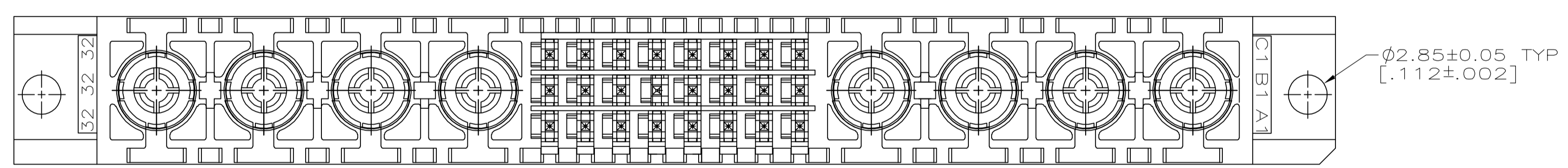
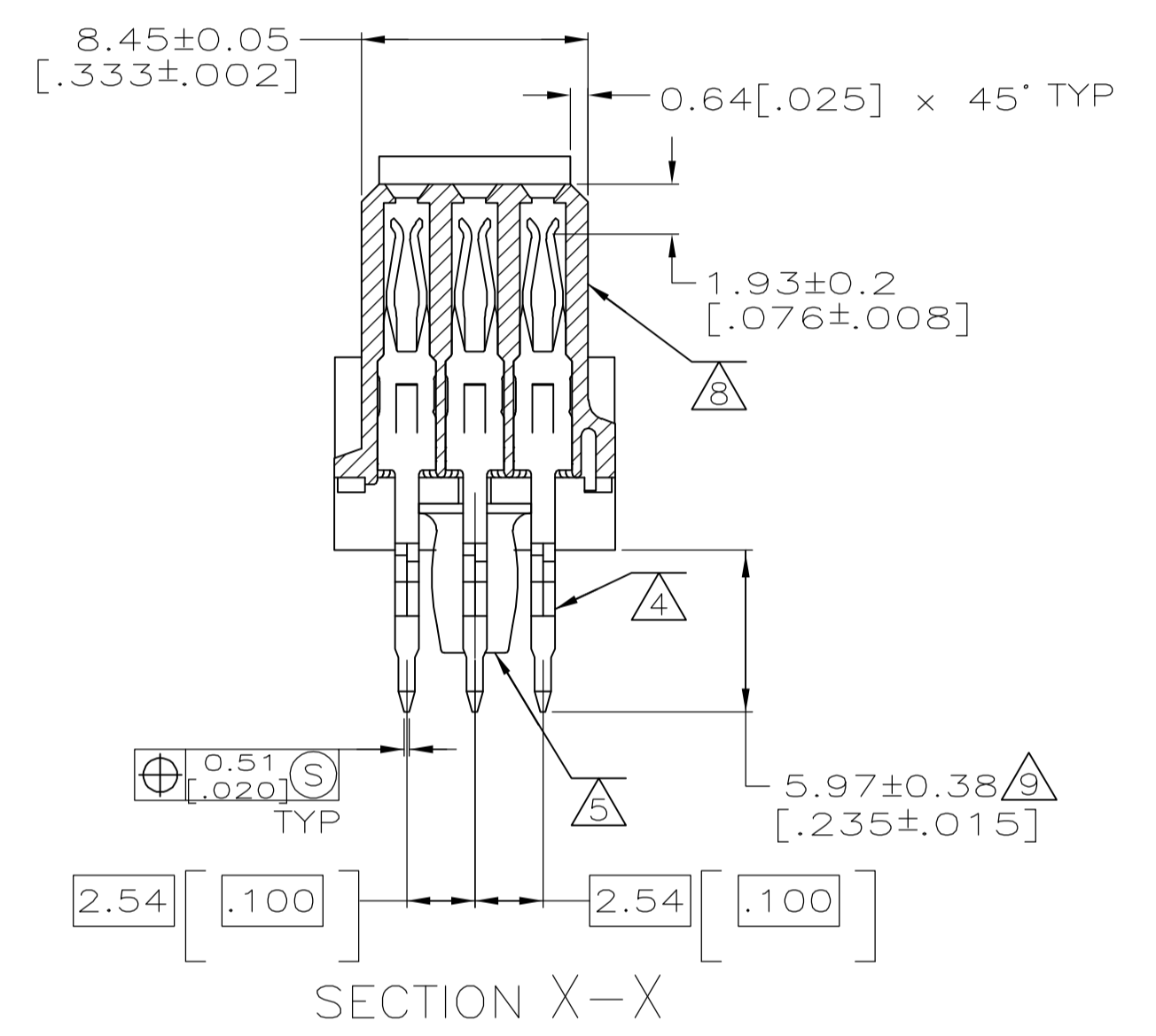
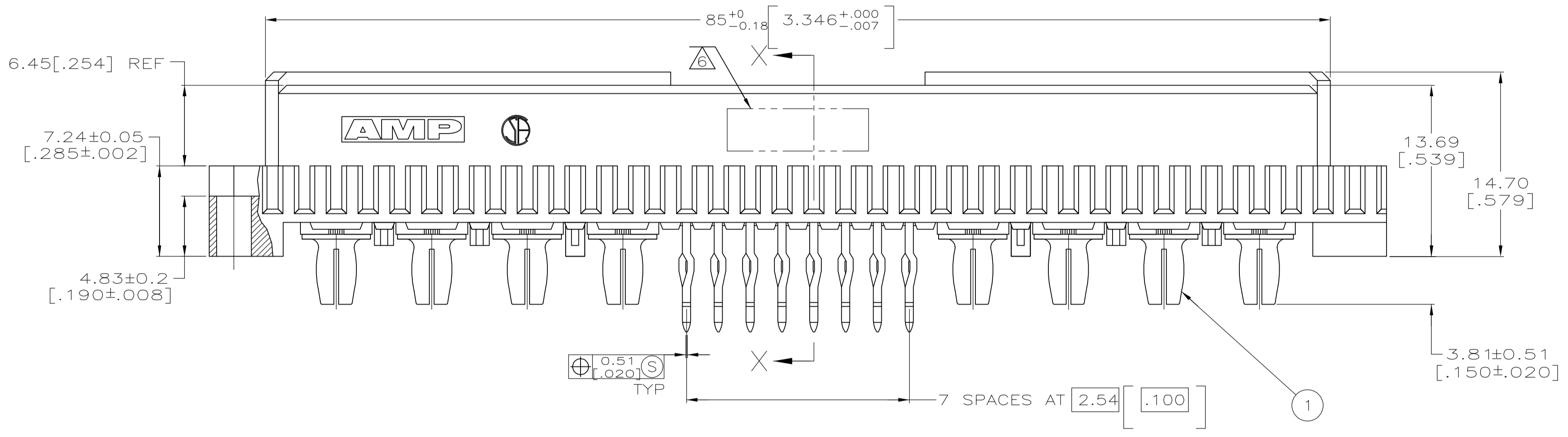
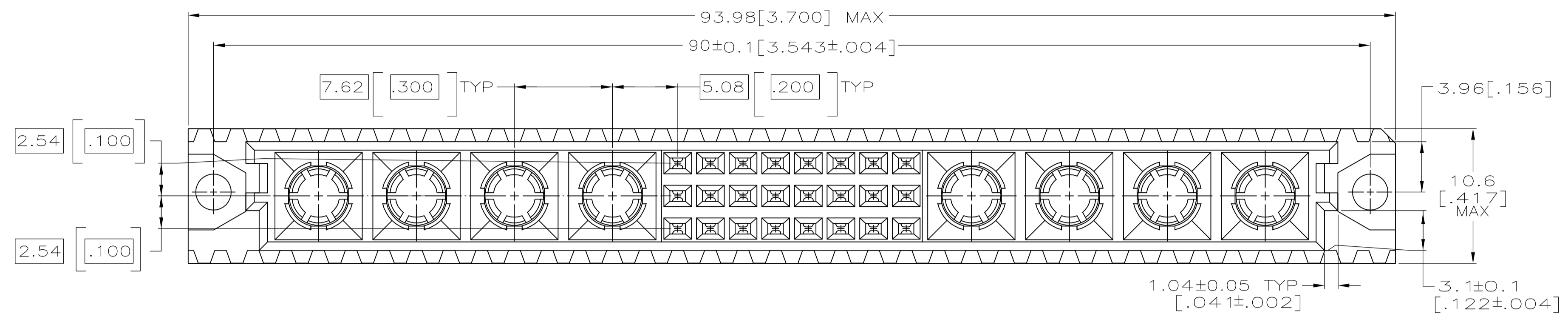
Tel: +86-755-8981 8866 Fax: +86-755-8427 6832

Email & Skype: info@chipsmall.com Web: www.chipsmall.com

Address: A1208, Overseas Decoration Building, #122 Zhenhua RD., Futian, Shenzhen, China



- ① HOUSING MATERIAL: GLASS-FILLED POLYESTER. COLOR: GRAY.
- ② CONTACT MATERIAL: PHOSPHOR BRONZE.
- ③ POWER CONTACT MATERIAL: BERYLLIUM COPPER.
- ④ CONTACT FINISH: DIN 41612 CLASS 2 IN CONTACT AREA. TIN-LEAD PLATE ON POSTS.
- ⑤ POWER CONTACT FINISH: DIN 41612 CLASS 2 ALL OVER.
- ⑥ PART NUMBER AND DATE CODE HOT STAMPED IN THIS APPROXIMATE AREA.
- ⑦ ACTION PIN POSTS REQUIRE 1.57[.062] MINIMUM THICK PC BOARD. RECOMMENDED PC BOARD DRILLED HOLES ARE  $\phi 1.15 \pm 0.025$  [0.453 ± 0.010] WITH 0.02-0.08 [0.01-.003] COPPER AND 0.008 [0.003] MINIMUM TIN-LEAD PLATING. FINISHED HOLE AFTER PLATING IS  $\phi 1.02 \pm 0.08$  [0.40 ± 0.03].
- ⑧ HOT STAMPING ON THIS SIDE.
- ⑨ TAIL LENGTH AFTER SEATING IN PC BOARD.
- ⑩ POWER CONTACTS REQUIRE  $3.13 \pm 0.08$  [.123 ± 0.003] DIAMETER DRILLED HOLE WITH  $0.05 \pm 0.25$  [.002 ± 0.01] THICK COPPER AND 0.0127 [0.0005] MINIMUM TIN-LEAD PLATING. FINISHED HOLE SIZE IS  $3.0 \pm 0.08$  [.118 ± 0.003].



POSITIONS LOADED	ROWS	NO. OF POWER CONTACTS LOADED	PART NUMBER
2,5,8,11,22,25,28,31	B	8	148370-3
2,5,8,11,22,25,28,31	B	8	148370-2
2,5,11,22,25,28,31	B	7	148370-1

POSITIONS LOADED	ROWS	NO. OF SIGNAL CONTACTS LOADED	PART NUMBER
13-20	C	8	148370-3
NONE	B	0	OBSOLETE
13-20	A	8	148370-2
13-20	C	8	148370-2
13-20	B	8	148370-2
13-20	A	8	148370-1
13-20	C	8	148370-1
13-20	B	8	148370-1
13-20	A	8	148370-1

POWER CONTACTS NO REQ'D	PART NUMBER
8	148370-3
8	148370-2
7	148370-1

THIS DRAWING IS A CONTROLLED DOCUMENT.

DIMENSIONS:	TOLERANCES UNLESS OTHERWISE SPECIFIED:	DIN L BRINER 4/15/97	Tyco Electronics Corporation Harrisburg, PA 17105-3608
mm	0 PLC ± - 1 PLC ± - 2 PLC ± 0.13[.005] 3 PLC ± - 4 PLC ± - ANGLES ± -	CHK R PATTERSON 4/15/97 APVD R PATTERSON 4/15/97	
MATERIAL:	HOUSING: ① CONTACT: ② CONTACT: ③ POWER CONTACT: ④	FINISH: ⑤	NAME: RECEPTACLE ASSEMBLY, EUROCARD, TYPE M, 24 POSITION APPLICATION SPEC: - SIZE: A1 CASE CODE: 00779 DRAWING NO: 148370 WEIGHT: - CUSTOMER DRAWING: -
SCALE: 4:1		SHEET: 1 of 1	REV: G