



Chipsmall Limited consists of a professional team with an average of over 10 year of expertise in the distribution of electronic components. Based in Hongkong, we have already established firm and mutual-benefit business relationships with customers from,Europe,America and south Asia,supplying obsolete and hard-to-find components to meet their specific needs.

With the principle of "Quality Parts,Customers Priority,Honest Operation,and Considerate Service",our business mainly focus on the distribution of electronic components. Line cards we deal with include Microchip,ALPS,ROHM,Xilinx,Pulse,ON,Everlight and Freescale. Main products comprise IC,Modules,Potentiometer,IC Socket,Relay,Connector.Our parts cover such applications as commercial,industrial, and automotives areas.

We are looking forward to setting up business relationship with you and hope to provide you with the best service and solution. Let us make a better world for our industry!



Contact us

Tel: +86-755-8981 8866 Fax: +86-755-8427 6832

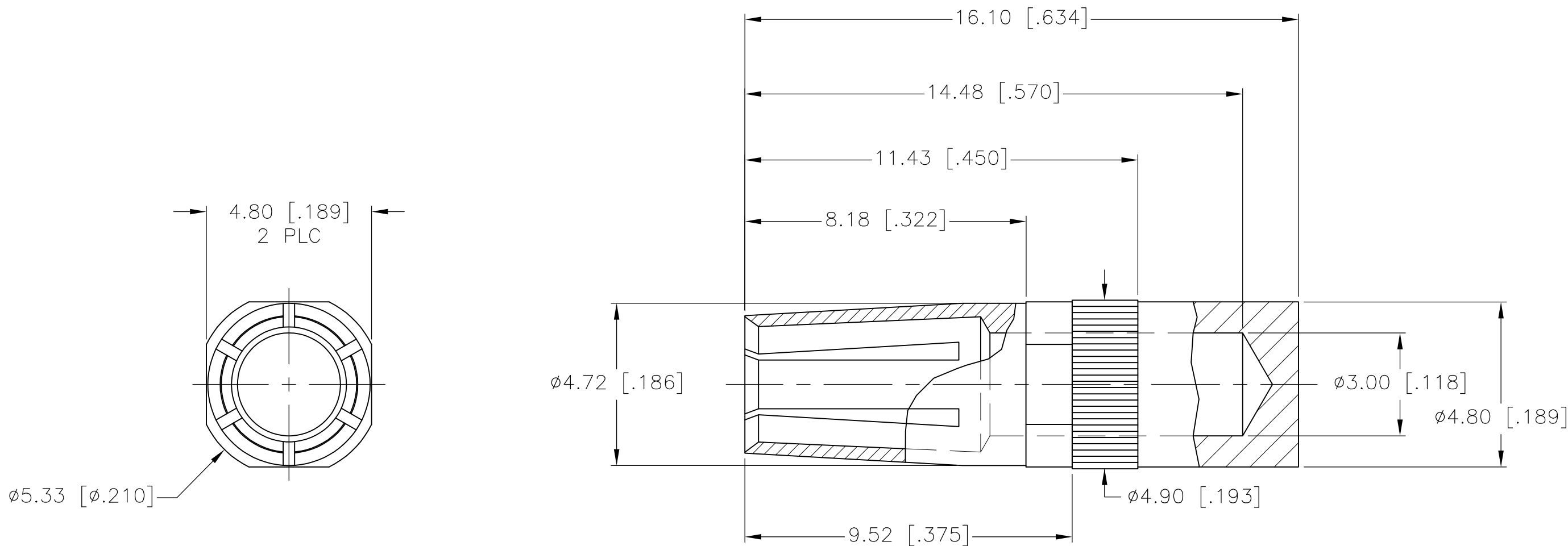
Email & Skype: info@chipsmall.com Web: www.chipsmall.com

Address: A1208, Overseas Decoration Building, #122 Zhenhua RD., Futian, Shenzhen, China



THIS DRAWING IS UNPUBLISHED. RELEASED FOR PUBLICATION
 © COPYRIGHT BY TYCO ELECTRONICS CORPORATION. ALL RIGHTS RESERVED.

LOC	DIST	REVISIONS			
P	LTR	DESCRIPTION	DATE	DWN	APVD
AD	00				
	A	REV PER EC 0S12-0450-04	13JAN05	BC	RP
	A1	REVISED PER ECO-09-023313	12OCT09	KK	AEG



- 1 CONTACT: BERYLLIUM COPPER
- 2 OBSOLETE PARTS: OBSOLETE CIS STREAMLINING PER D.RENAUD/D.SINISI

2	OBSOLETE	1.27 μ m [.000050] MIN GOLD	1	148375-2
		0.76 μ m [.000030] MIN GOLD	1	148375-1
		FINISH	MATERIAL	PART NUMBER

DIMENSIONS:		TOLERANCES UNLESS OTHERWISE SPECIFIED:		DWN		Tyco Electronics		Tyco Electronics Corporation	
mm		0 PLC	$\pm -$	L. BRINER	3/3/97	Harrisburg, Pa 17105-3608		Harrisburg, Pa 17105-3608	
		1 PLC	$\pm -$	CHK R. PATTERSON	3/3/97	NAME		POWER CONTACT, FEMALE	
		2 PLC	± 0.13 [.005]	APVD R. PATTERSON	3/3/97	PRODUCT SPEC		BOARD MOUNT, SOLDER	
		3 PLC	$\pm -$	PRODUCT SPEC		APPLICATION SPEC		RESTRICTED TO	
		4 PLC	$\pm -$	APPLICATION SPEC		SIZE	CAGE CODE	DRAWING NO	
MATERIAL		ANGLES	$\pm -$	WEIGHT		A3	00779	C-148375	
1		FINISH	$\pm -$	CUSTOMER DRAWING		SCALE	SHEET	REV	
		SEE TABLE				4:1	1 OF 1	A1	