



Chipsmall Limited consists of a professional team with an average of over 10 year of expertise in the distribution of electronic components. Based in Hongkong, we have already established firm and mutual-benefit business relationships with customers from,Europe,America and south Asia,supplying obsolete and hard-to-find components to meet their specific needs.

With the principle of “Quality Parts,Customers Priority,Honest Operation,and Considerate Service”,our business mainly focus on the distribution of electronic components. Line cards we deal with include Microchip,ALPS,ROHM,Xilinx,Pulse,ON,Everlight and Freescale. Main products comprise IC,Modules,Potentiometer,IC Socket,Relay,Connector.Our parts cover such applications as commercial,industrial, and automotives areas.

We are looking forward to setting up business relationship with you and hope to provide you with the best service and solution. Let us make a better world for our industry!



Contact us

Tel: +86-755-8981 8866 Fax: +86-755-8427 6832

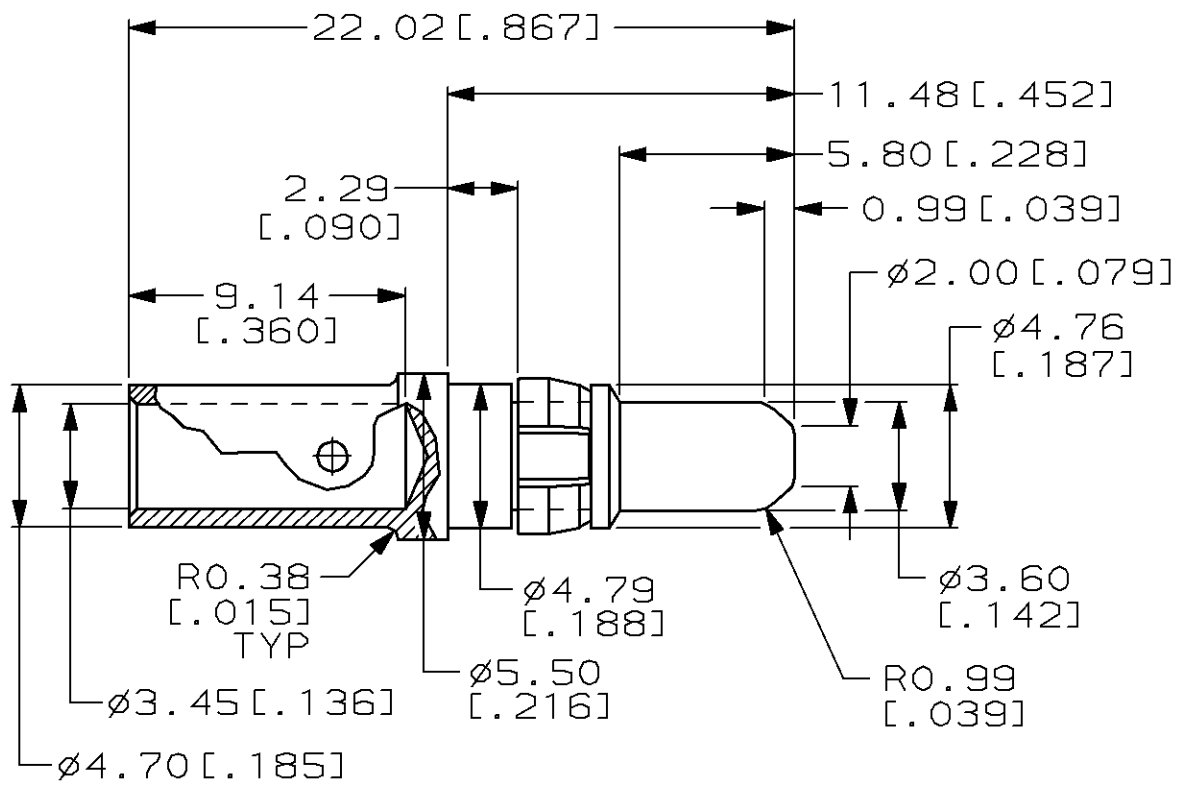
Email & Skype: info@chipsmall.com Web: www.chipsmall.com

Address: A1208, Overseas Decoration Building, #122 Zhenhua RD., Futian, Shenzhen, China



LOC	DIST	REVISIONS					
AD	25	P	LTR	DESCRIPTION	DATE	DWN	APVD
		0		DRAWN	-	-	-

1. WIRE BARREL WILL ACCEPT 10 AWG WIRE.
2. MATES WITH PART NUMBER 148357-1.
3. RECOMMENDED CRIMPING TOOL: DANIELS TOOL #M300-BT, POSITIONER PART NUMBER SP689, SETTING #3, STRIP LENGTH 8.13 [.320].



THIS DRAWING IS UNPUBLISHED. BY AMP INCORPORATED. ALL RIGHTS RESERVED. COPYRIGHT 19

0.00076 [.000030] GOLD	CONTACT; BRASS RETAINING RING; BERYLLIUM COPPER	148406-1
CONTACT AREA FINISH	MATERIAL	PART NUMBER

DIMENSIONS: mm	DWN L. BRINER 10/10/97	MATERIAL -	FINISH -
TOLERANCES UNLESS OTHERWISE SPECIFIED:	CHK R. PATTERSON 10/10/97	AMP AMP Incorporated Harrisburg, PA 17105-3608	
0 PLC ±-	APVD R. PATTERSON 10/10/97		
1 PLC ±-	PRODUCT SPEC	NAME PIN CONTACT, POWER, EUROCARD TYPE M, 30 AMP	
2 PLC ±0.13 [.005]	APPLICATION SPEC	SIZE A4	CAGE CODE 00779
3 PLC ±-		DRAWING NO C-148406	
4 PLC ±-		SCALE 4:1	SHEET 1 OF 1
ANGLES ±-	WEIGHT -	REV 0	
CUSTOMER DRAWING			