



Chipsmall Limited consists of a professional team with an average of over 10 year of expertise in the distribution of electronic components. Based in Hongkong, we have already established firm and mutual-benefit business relationships with customers from,Europe,America and south Asia,supplying obsolete and hard-to-find components to meet their specific needs.

With the principle of “Quality Parts,Customers Priority,Honest Operation,and Considerate Service”,our business mainly focus on the distribution of electronic components. Line cards we deal with include Microchip,ALPS,ROHM,Xilinx,Pulse,ON,Everlight and Freescale. Main products comprise IC,Modules,Potentiometer,IC Socket,Relay,Connector.Our parts cover such applications as commercial,industrial, and automotives areas.

We are looking forward to setting up business relationship with you and hope to provide you with the best service and solution. Let us make a better world for our industry!



Contact us

Tel: +86-755-8981 8866 Fax: +86-755-8427 6832

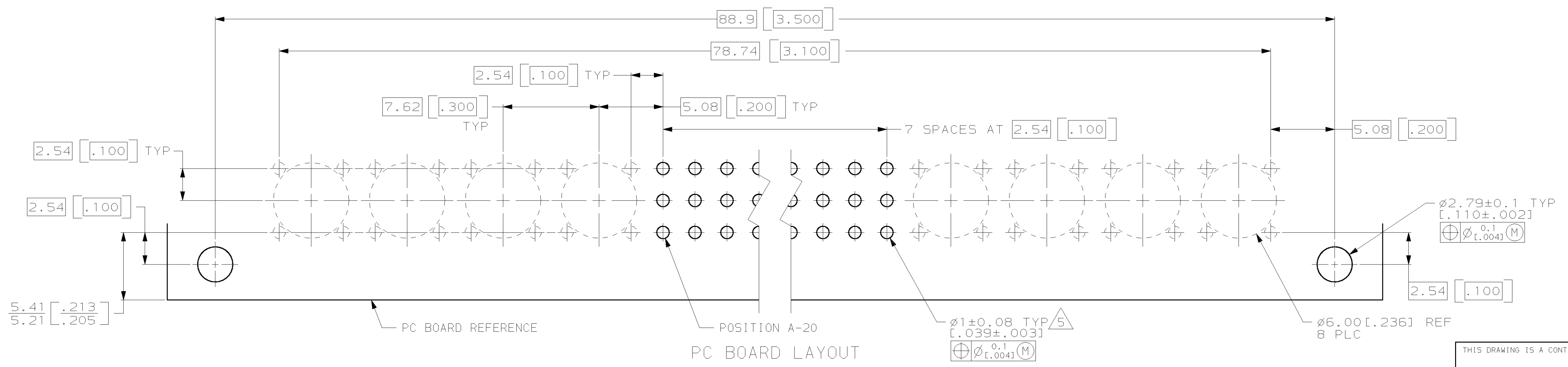
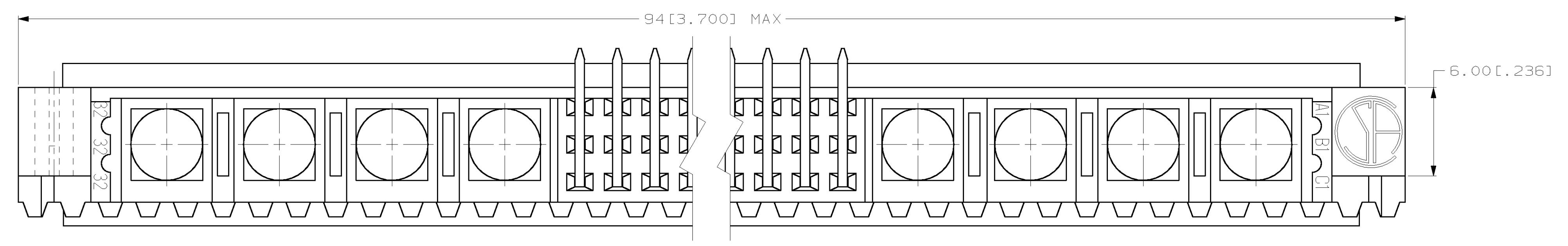
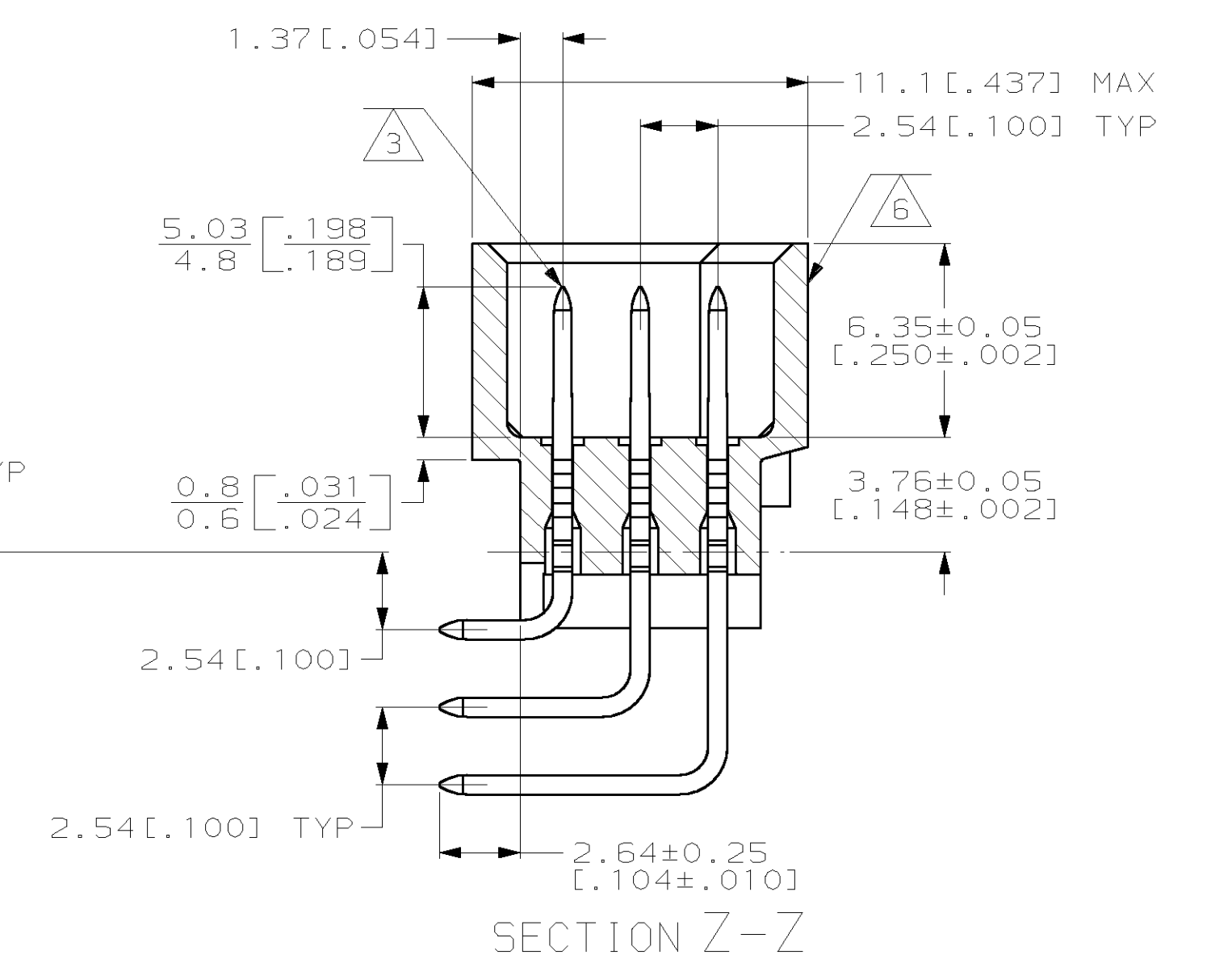
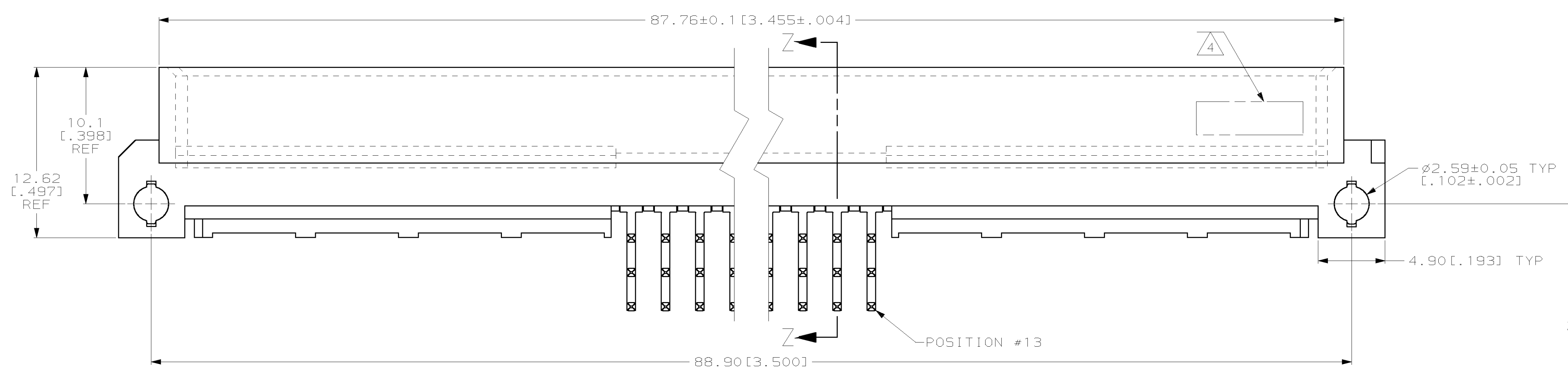
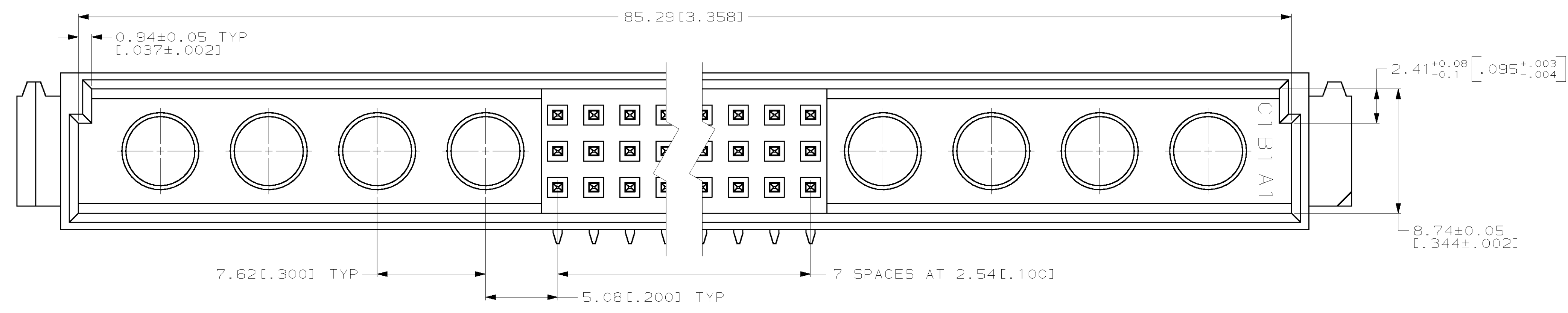
Email & Skype: info@chipsmall.com Web: www.chipsmall.com

Address: A1208, Overseas Decoration Building, #122 Zhenhua RD., Futian, Shenzhen, China



REVISONS		DATE	OWN	APVD
AD	25			
0	DRAWN	-	-	-
A	REV PER EC	06 APR 99	BC	CR

- 1 HOUSING MATERIAL: GLASS-FILLED POLYESTER. COLOR: GRAY.
- 2 POST MATERIAL: BRASS.
- 3 POST FINISH: DIN 41612 CLASS 2 IN CONTACT AREA. TIN-LEAD PLATE ON POSTS.
- 4 PART NUMBER AND DATE CODE HOT STAMPED IN THIS APPROXIMATE AREA.
- 5 RECOMMENDED HOLE SIZE FOR MANUAL APPLICATION OF CONNECTOR ONTO PC BOARD.
- 6 HOT STAMPING ON THIS SIDE.



148414-5
PART NUMBER

THIS DRAWING IS A CONTROLLED DOCUMENT.		DWN L. BRINER 12/19/97	AMP Incorporated Harrisburg, PA 17105-3608
DIMENSIONS: mm		CHK R. PATTERSON 12/19/97	NAME PIN ASSEMBLY, EUROCARD, TYPE M, 24 + 8 POSITION
TOLERANCES UNLESS OTHERWISE SPECIFIED:		APVD R. PATTERSON 12/19/97	SIZE A1
0 PLC ±	1 PLC ±	PRODUCT SPEC	RESTRICTED TO
2 PLC ±0.13(0.005)	3 PLC ±	APPLICATION SPEC	SCALE 5:1 SHEET 1 OF 1 REV A
4 PLC ±	ANGLES ±	WEIGHT	
MATERIAL	FINISH	CUSTOMER DRAWING	
HOUSING: 1	POST: 2		