



Chipsmall Limited consists of a professional team with an average of over 10 year of expertise in the distribution of electronic components. Based in Hongkong, we have already established firm and mutual-benefit business relationships with customers from,Europe,America and south Asia,supplying obsolete and hard-to-find components to meet their specific needs.

With the principle of “Quality Parts,Customers Priority,Honest Operation,and Considerate Service”,our business mainly focus on the distribution of electronic components. Line cards we deal with include Microchip,ALPS,ROHM,Xilinx,Pulse,ON,Everlight and Freescale. Main products comprise IC,Modules,Potentiometer,IC Socket,Relay,Connector.Our parts cover such applications as commercial,industrial, and automotives areas.

We are looking forward to setting up business relationship with you and hope to provide you with the best service and solution. Let us make a better world for our industry!



Contact us

Tel: +86-755-8981 8866 Fax: +86-755-8427 6832

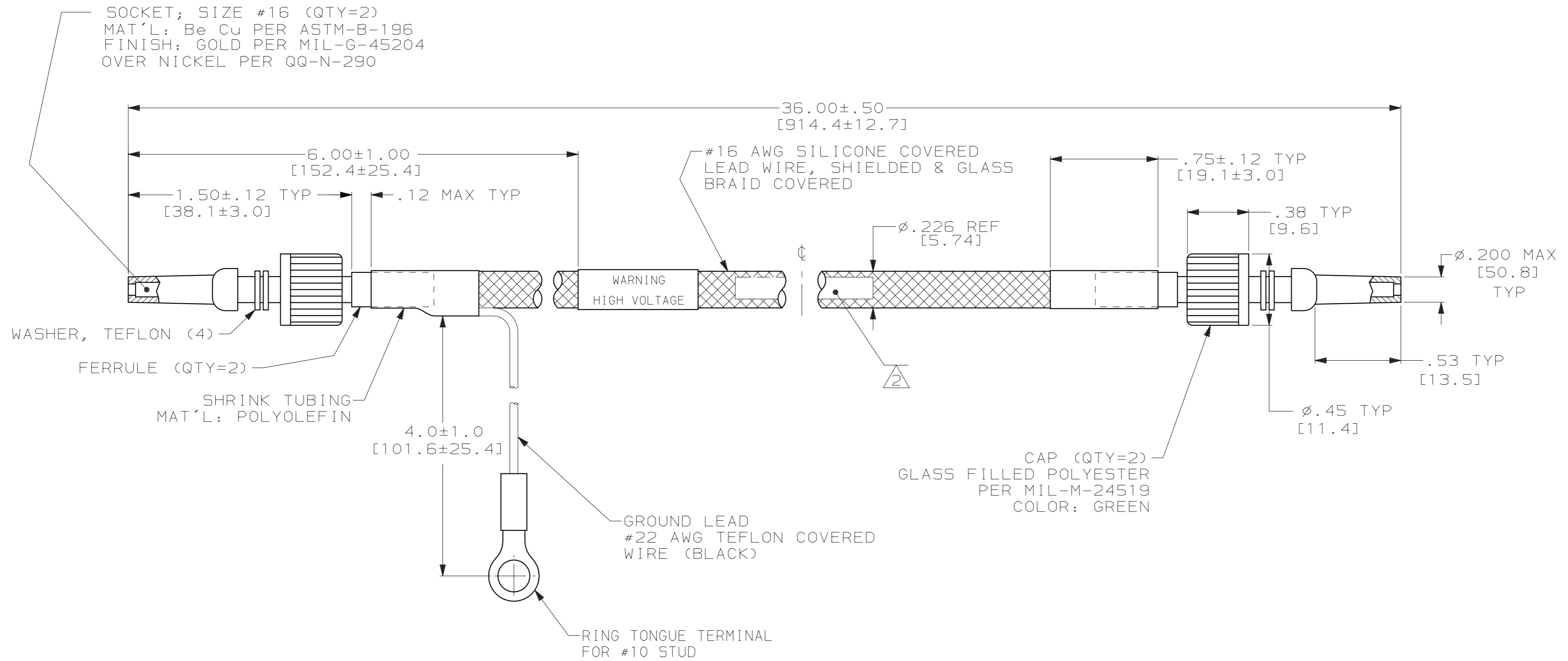
Email & Skype: info@chipsmall.com Web: www.chipsmall.com

Address: A1208, Overseas Decoration Building, #122 Zhenhua RD., Futian, Shenzhen, China



THIS DRAWING IS UNPUBLISHED. RELEASED FOR PUBLICATION
 BY AMP INCORPORATED. ALL RIGHTS RESERVED.

LOC	DIST	REVISIONS			
P	LTR	DESCRIPTION	DATE	DWN	APVD
DF	SO				
0		RELEASED	4-01	CT	DE



- OPERATING VOLTAGE: 10 KVDC AT 0 TO 70,000 FEET, -55°C TO 125°C.
- MARKED PER MIL-STD-130 WITH BLACK INK.
- LEAD COLOR IS WHITE UNLESS OTHERWISE SPECIFIED.
- LEAD WILL MATE WITH AMP 1/2 RECEPTACLE WITH .53 [13.5] BARREL DEPTH.

1484224-1
PART NO.

THIS DRAWING IS A CONTROLLED DOCUMENT.		DWN	C.C. THOMAS	4-12-01
DIMENSIONS: INCHES [mm]		CHK	D. EABY	4-12-01
TOLERANCES UNLESS OTHERWISE SPECIFIED:		APVD	D. EABY	4-12-01
0 PLC	±-	PRODUCT SPEC	NAME	
1 PLC	±-	APPLICATION SPEC	LEAD ASSY, DBL END, SHIELDED, LGH-1/2	
2 PLC	±.02 [0.5]	WEIGHT	SIZE	CAGE CODE
3 PLC	±-	CUSTOMER DRAWING	A2	00779
4 PLC	±-	SCALE	2:1	DRAWING NO
ANGLES	±-	SHEET	1	1
MATERIAL	SEE CALLOUTS	REV	0	RESTRICTED TO
FINISH	SEE CALLOUTS	DRAWING NO		
		C- 1484224		