



Chipsmall Limited consists of a professional team with an average of over 10 year of expertise in the distribution of electronic components. Based in Hongkong, we have already established firm and mutual-benefit business relationships with customers from,Europe,America and south Asia,supplying obsolete and hard-to-find components to meet their specific needs.

With the principle of “Quality Parts,Customers Priority,Honest Operation,and Considerate Service”,our business mainly focus on the distribution of electronic components. Line cards we deal with include Microchip,ALPS,ROHM,Xilinx,Pulse,ON,Everlight and Freescale. Main products comprise IC,Modules,Potentiometer,IC Socket,Relay,Connector.Our parts cover such applications as commercial,industrial, and automotives areas.

We are looking forward to setting up business relationship with you and hope to provide you with the best service and solution. Let us make a better world for our industry!



Contact us

Tel: +86-755-8981 8866 Fax: +86-755-8427 6832

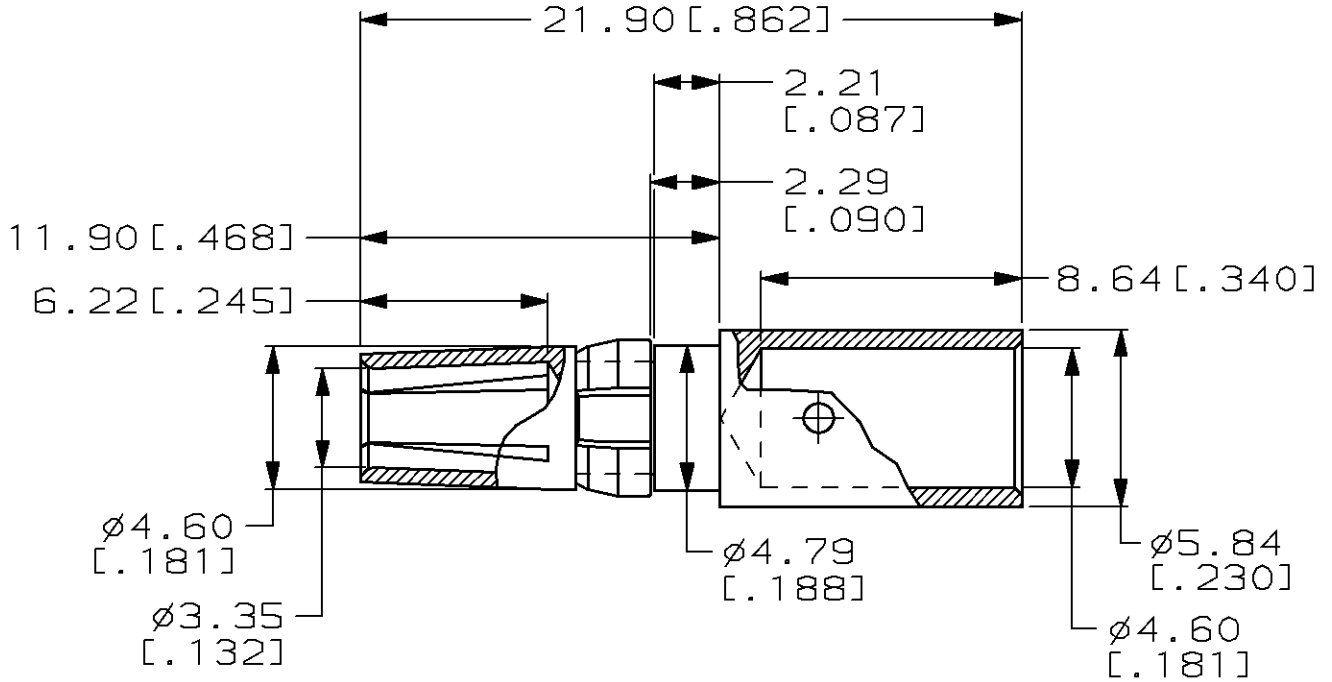
Email & Skype: info@chipsmall.com Web: www.chipsmall.com

Address: A1208, Overseas Decoration Building, #122 Zhenhua RD., Futian, Shenzhen, China



LOC AD	DIST 25	REVISIONS				
P	LTR	DESCRIPTION	DATE	DWN	APVD	
	0	DRAWN	-	-	-	

1. WIRE BARREL WILL ACCEPT 8 AWG WIRE.
2. MATES WITH PART NUMBER 148430-1.
3. RECOMMENDED CRIMPING TOOL: DANIELS TOOL #M300-BT, POSITIONER PART NUMBER SP689, SETTING #7, STRIP LENGTH 8.13 [.320].



RELEASED FOR PUBLICATION

THIS DRAWING IS UNPUBLISHED.

ALL RIGHTS RESERVED. BY AMP INCORPORATED. COPYRIGHT 19

0.00076 [.000030] GOLD	CONTACT; BERYLLIUM COPPER RETAINING RING; BERYLLIUM COPPER	148432-1
FINISH	MATERIAL	PART NUMBER

DIMENSIONS: mm	DWN L. BRINER 9/14/98	MATERIAL -	FINISH -
	CHK R. PATTERSON 9/14/98	AMP Incorporated Harrisburg, PA 17105-3608	
TOLERANCES UNLESS OTHERWISE SPECIFIED:	APVD R. PATTERSON 9/14/98		
0 PLC ±-	PRODUCT SPEC	NAME POWER CONTACT, FEMALE CRIMP, AWG 8, (40 AMP)	
1 PLC ±-	APPLICATION SPEC	SIZE A4	CAGE CODE 00779
2 PLC ±0.13 [.005]		DRAWING NO C- 148432	RESTRICTED TO -
3 PLC ±-			
4 PLC ±-			
ANGLES ±-			
	WEIGHT -	CUSTOMER DRAWING	
		SCALE 4:1	SHEET 1 OF 1
			REV 0