



Chipsmall Limited consists of a professional team with an average of over 10 year of expertise in the distribution of electronic components. Based in Hongkong, we have already established firm and mutual-benefit business relationships with customers from,Europe,America and south Asia,supplying obsolete and hard-to-find components to meet their specific needs.

With the principle of “Quality Parts,Customers Priority,Honest Operation,and Considerate Service”,our business mainly focus on the distribution of electronic components. Line cards we deal with include Microchip,ALPS,ROHM,Xilinx,Pulse,ON,Everlight and Freescale. Main products comprise IC,Modules,Potentiometer,IC Socket,Relay,Connector.Our parts cover such applications as commercial,industrial, and automotives areas.

We are looking forward to setting up business relationship with you and hope to provide you with the best service and solution. Let us make a better world for our industry!



## Contact us

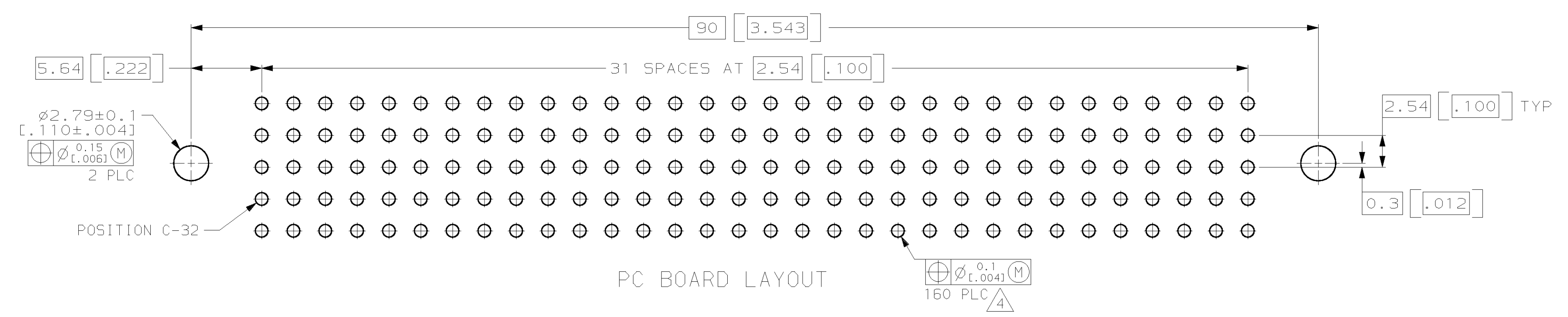
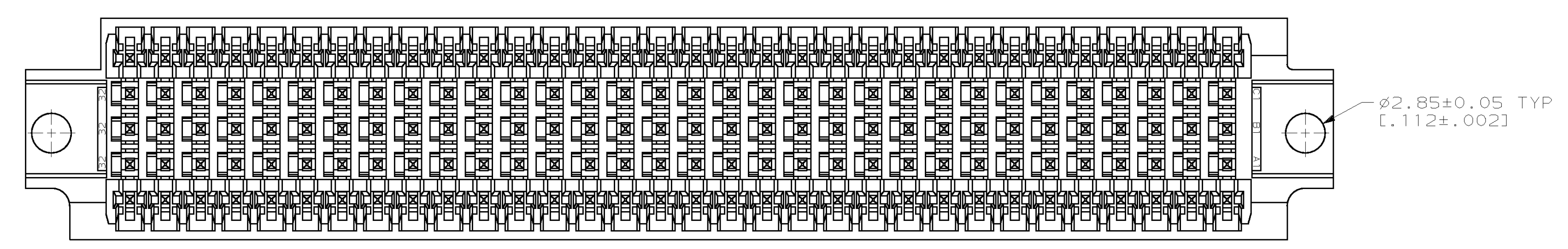
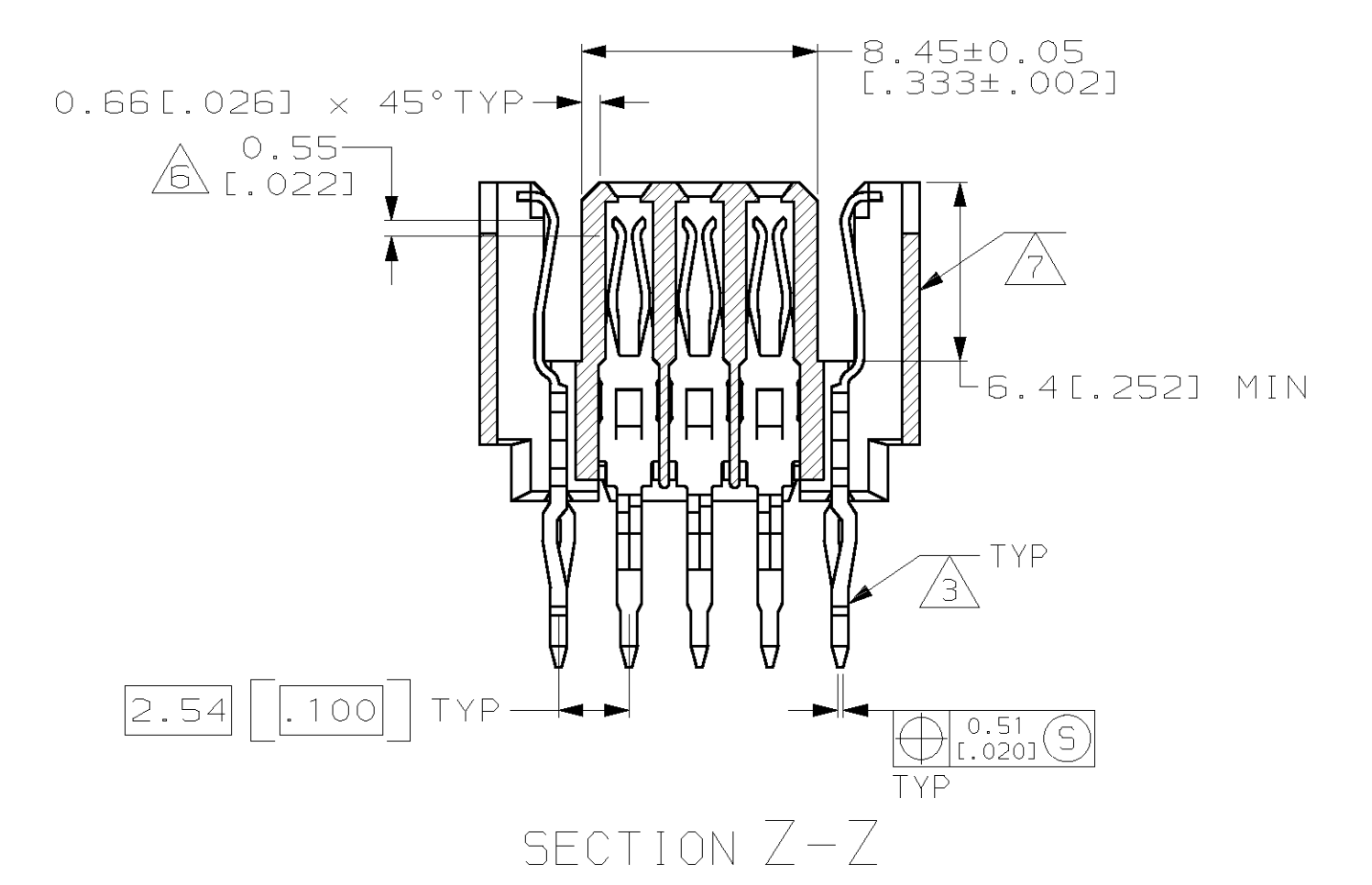
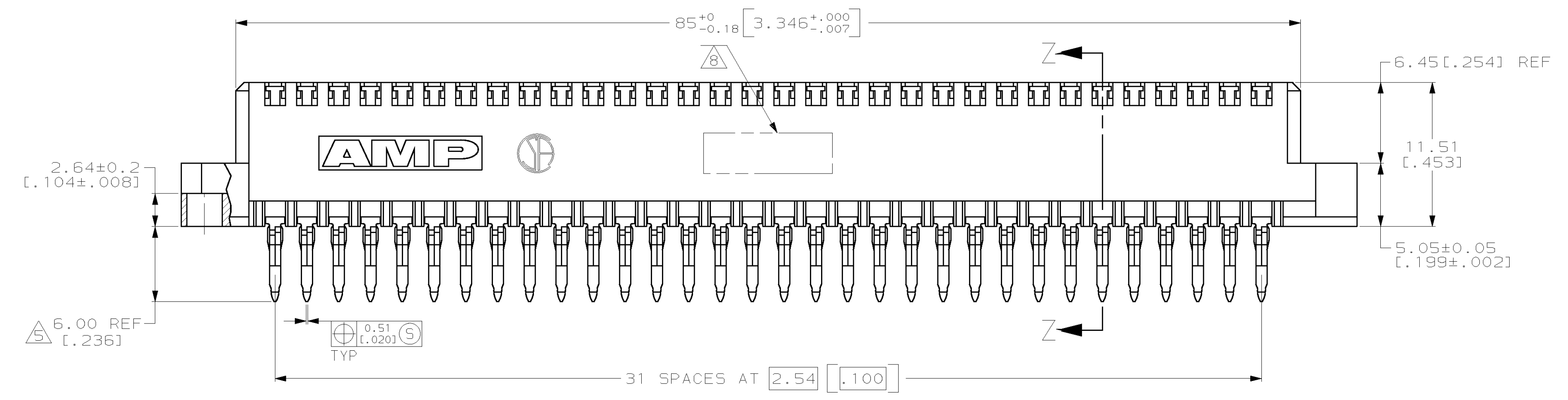
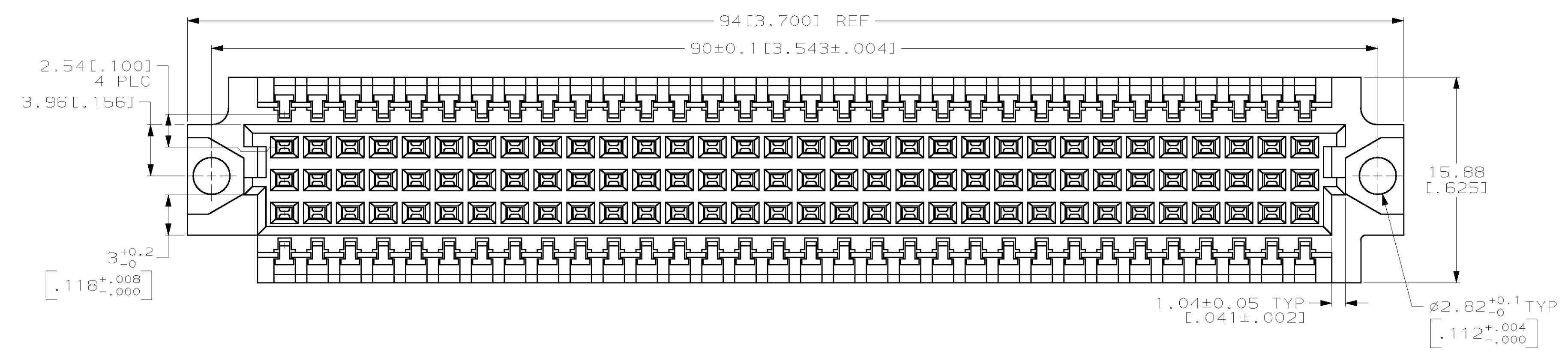
Tel: +86-755-8981 8866 Fax: +86-755-8427 6832

Email & Skype: info@chipsmall.com Web: www.chipsmall.com

Address: A1208, Overseas Decoration Building, #122 Zhenhua RD., Futian, Shenzhen, China



- ① HOUSING MATERIAL: GLASS-FILLED POLYESTER. COLOR: GRAY.
- ② CONTACT MATERIAL: PHOSPHOR BRONZE.
- ③ CONTACT FINISH: DIN 41612 CLASS 2 IN CONTACT AREA TIN-LEAD ON TAILS.
- ④ ACTION PIN POSTS REQUIRE 1.57[.062] MINIMUM THICK PC BOARD. RECOMMENDED PC BOARD DRILLED HOLES ARE  $\phi 1.15 \pm 0.025$  [.0453 ± .0010] WITH 0.02-0.08 [.001-.003] COPPER AND 0.008 [.0003] MINIMUM TIN-LEAD PLATING. FINISHED HOLE AFTER PLATING IS  $\phi 1.02 \pm 0.08$  [.040 ± .002].
- ⑤ TAIL LENGTH AFTER SEATED IN PC BOARD.
- ⑥ CONTACT POINT AFTER SEATED IN PC BOARD.
- ⑦ HOT-STAMPING ON THIS SIDE.
- ⑧ PART NUMBER AND DATE CODE HOT-STAMPED IN THIS APPROXIMATE AREA.



148452-5  
PART NUMBER

THIS DRAWING IS A CONTROLLED DOCUMENT.		Dwn	T. SHUEY	1-15-98
DIMENSIONS:		CHK	-	-
TOLERANCES UNLESS OTHERWISE SPECIFIED:		APVD	-	-
mm	0 PLC ±	NAME	AMP Incorporated Harrisburg, PA 17105-3608	
	1 PLC ±	PRODUCT SPEC	RCPT ASSY, ENHANCED EUROCARD, VME 64, 160 POSITION	
	2 PLC ±0.13(.005)	APPLICATION SPEC	SIZE CAGE CODE DRAWING NO RESTRICTED TO	
	3 PLC ±	WEIGHT	A1 00779 C-148452 -	
	4 PLC ±	CUSTOMER DRAWING	SCALE 4:1 SHEET 1 OF 1 REV B	
MATERIAL	HOUSING: ①	FINISH		
	CONTACT: ②	CONTACT: ③		