



Chipsmall Limited consists of a professional team with an average of over 10 year of expertise in the distribution of electronic components. Based in Hongkong, we have already established firm and mutual-benefit business relationships with customers from,Europe,America and south Asia,supplying obsolete and hard-to-find components to meet their specific needs.

With the principle of “Quality Parts,Customers Priority,Honest Operation,and Considerate Service”,our business mainly focus on the distribution of electronic components. Line cards we deal with include Microchip,ALPS,ROHM,Xilinx,Pulse,ON,Everlight and Freescale. Main products comprise IC,Modules,Potentiometer,IC Socket,Relay,Connector.Our parts cover such applications as commercial,industrial, and automotives areas.

We are looking forward to setting up business relationship with you and hope to provide you with the best service and solution. Let us make a better world for our industry!



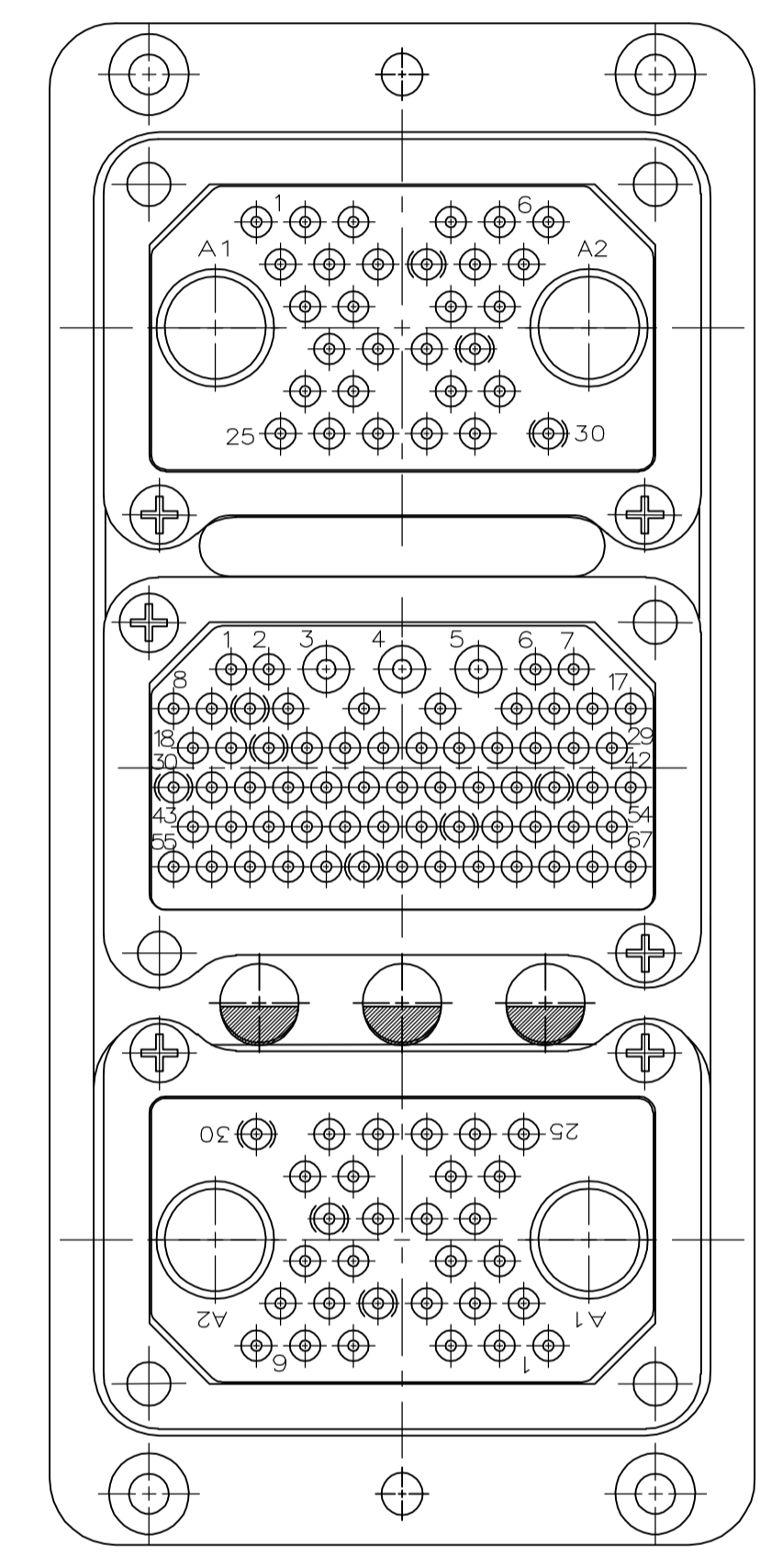
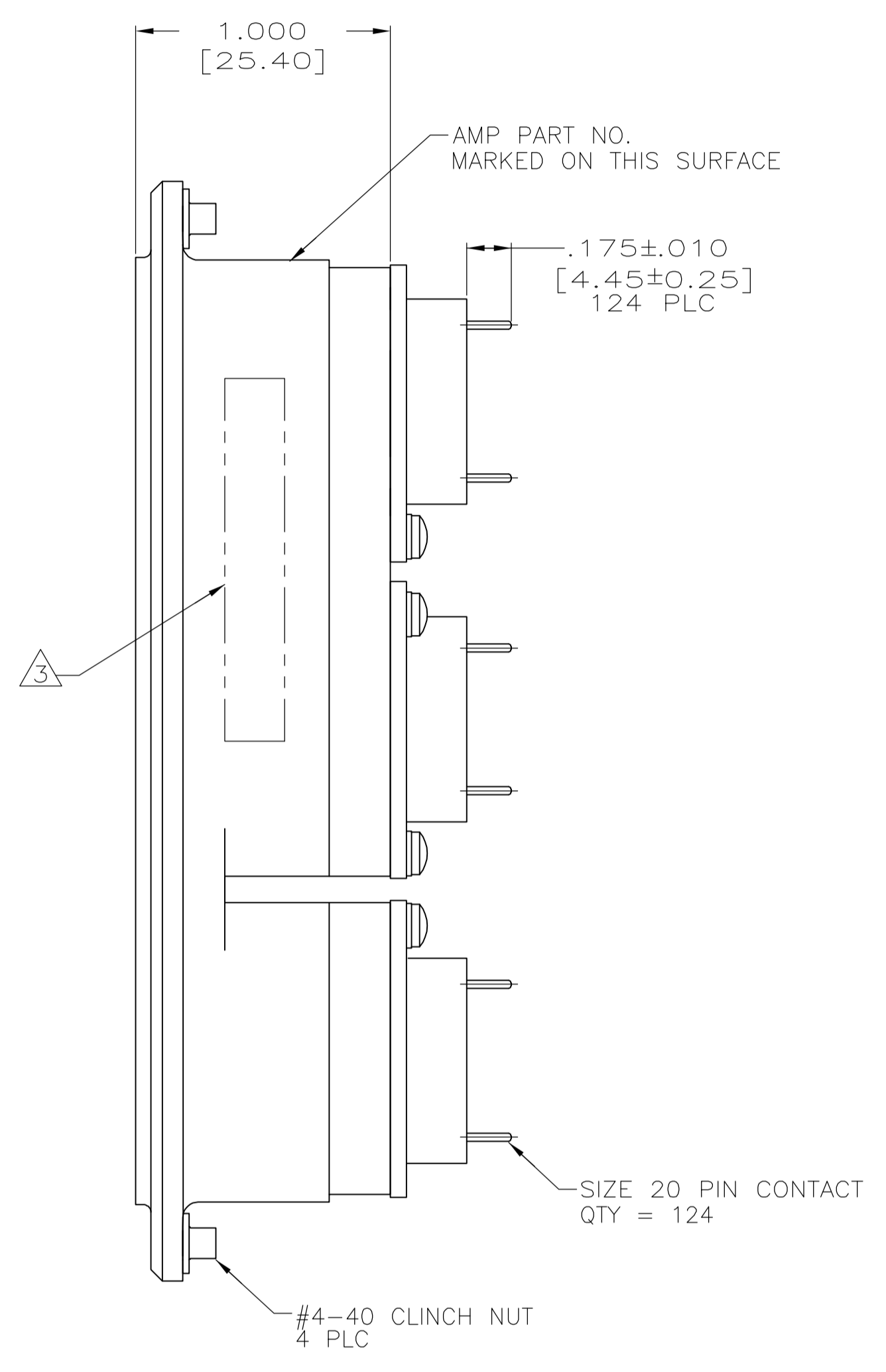
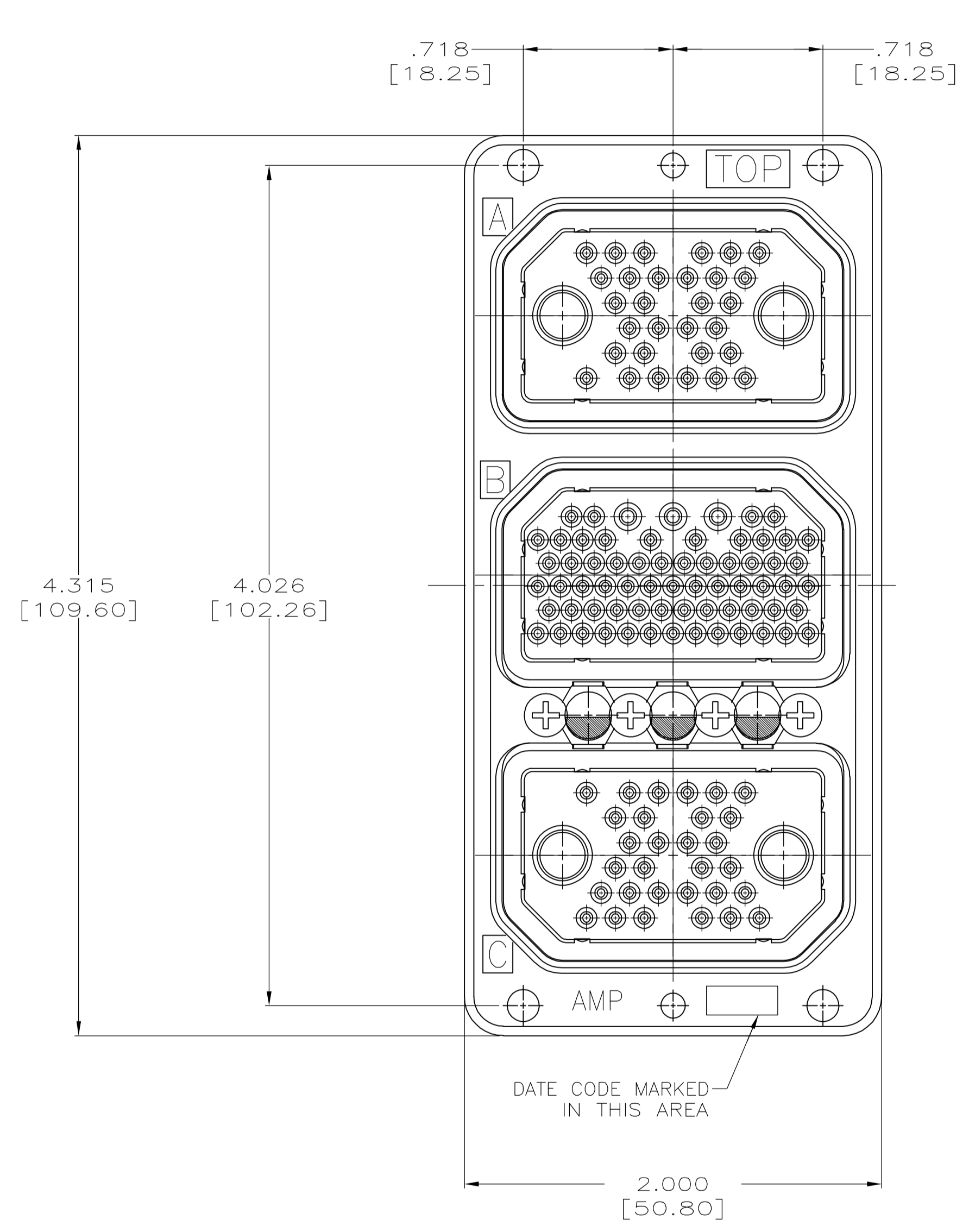
## Contact us

Tel: +86-755-8981 8866 Fax: +86-755-8427 6832

Email & Skype: info@chipsmall.com Web: www.chipsmall.com

Address: A1208, Overseas Decoration Building, #122 Zhenhua RD., Futian, Shenzhen, China





- △ MATERIAL AND FINISH:  
 SHELL: DIE CAST ALUMINUM ALLOY PER FED. SPEC QQ-A-591.  
 STANDARD FINISH: CADMIUM PLATE PER QQ-P-416, TYPE I,  
 CLASS 2 YELLOW CHROMATE CONVERSION.  
 INSERT RETENTION PLATE: ALUMINUM ALLOY, BLUE ANODIZE  
 PER MIL-A-8625.  
 SCREWS AND WASHERS: STAINLESS STEEL, PASSIVATED.  
 POLARIZING POSTS: STAINLESS STEEL, PASSIVATED.  
 POLARIZING NUTS: BRASS, CADMIUM PLATED.
2. KEYING IS SET IN POSITION "01".
- △ 921121-1, REV B AND DATE CODE XXYY, (WHERE  
 XX = WEEK, YY = YEAR) MARKED IN APPROX AREA SHOWN  
 WITH .047 [1.19] MIN HIGH CHARACTERS.

615040	1484650-1
AIRSHOW	PART NO.
PART NO. REF	PART NO.

THIS DRAWING IS A CONTROLLED DOCUMENT.		DWN C.C.THOMAS 7-30-03	Tyco Electronics Corporation Harrisburg, PA 17105-3608	
DIMENSIONS: INCHES		CHK D.FABY 4-26-06	NAME RECEPTACLE ASSY.SRINC 404,SPECIAL RM3R32C2P67P32C2P-0101 )200)	
TOLERANCES UNLESS OTHERWISE SPECIFIED:		APVD D.FABY 4-28-06	RESTRICTED TO	
0 PLC ± -	1 PLC ± -	PRODUCT SPEC	SIZE A1	CAGE CODE 00779
2 PLC ± -	3 PLC ± -	APPLICATION SPEC	DRAWING NO 1484650	REV 0
4 PLC ± .010 [0.25]	ANGLES ± -	WEIGHT	CUSTOMER DRAWING	
MATERIAL	FINISH	SCALE 2:1 SHEET 1 OF 1		