



Chipsmall Limited consists of a professional team with an average of over 10 year of expertise in the distribution of electronic components. Based in Hongkong, we have already established firm and mutual-benefit business relationships with customers from,Europe,America and south Asia,supplying obsolete and hard-to-find components to meet their specific needs.

With the principle of “Quality Parts,Customers Priority,Honest Operation,and Considerate Service”,our business mainly focus on the distribution of electronic components. Line cards we deal with include Microchip,ALPS,ROHM,Xilinx,Pulse,ON,Everlight and Freescale. Main products comprise IC,Modules,Potentiometer,IC Socket,Relay,Connector.Our parts cover such applications as commercial,industrial, and automotives areas.

We are looking forward to setting up business relationship with you and hope to provide you with the best service and solution. Let us make a better world for our industry!



Contact us

Tel: +86-755-8981 8866 Fax: +86-755-8427 6832

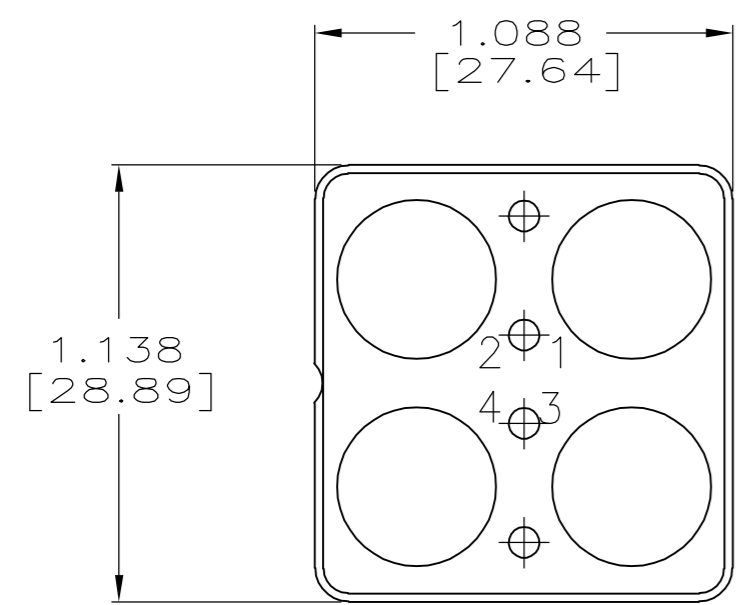
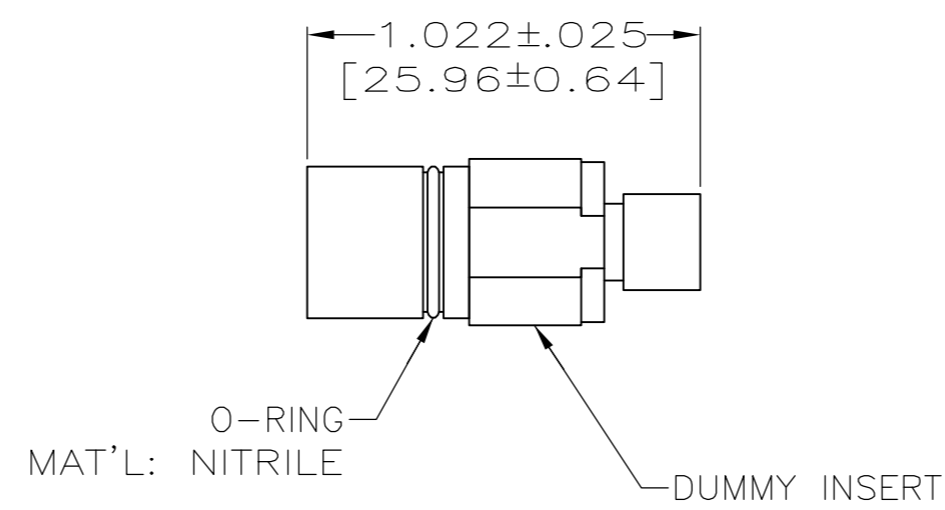
Email & Skype: info@chipsmall.com Web: www.chipsmall.com

Address: A1208, Overseas Decoration Building, #122 Zhenhua RD., Futian, Shenzhen, China

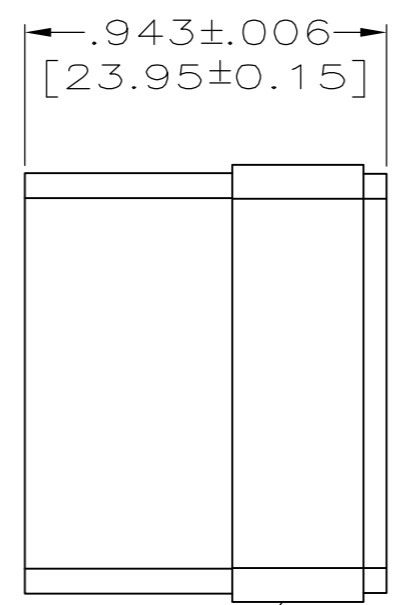


THIS DRAWING IS UNPUBLISHED. RELEASED FOR PUBLICATION
 © COPYRIGHT BY TYCO ELECTRONICS CORPORATION. ALL RIGHTS RESERVED.

LOC	DIST	REVISIONS					
DF	S0	P	LTR	DESCRIPTION	DATE	DWN	APVD
		E		REV PER EC 0H14-0255-05	3JAN06	BL	CCT

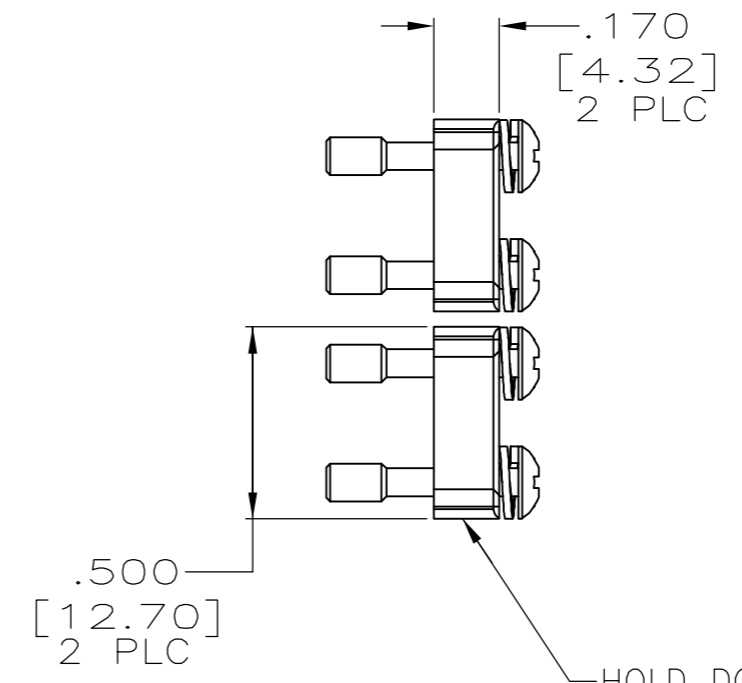


MATING FACE

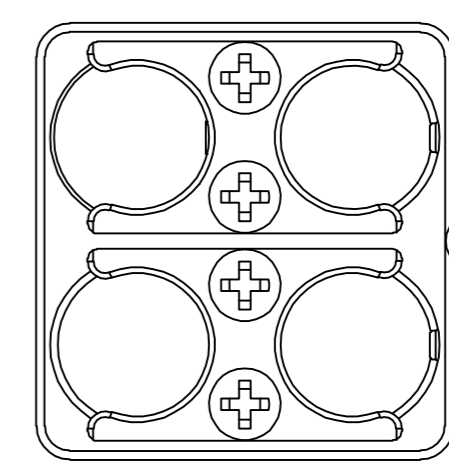


INSERT

MAT'L: ALUMINUM ALLOY
 FINISH: ELECTROLESS NICKEL



HOLD DOWN
 MAT'L: ALUMINUM ALLOY
 FINISH: ELECTROLESS NICKEL



- 1. FOR 1484661-1 ONE DUMMY INSERT AND O-RING SUPPLIED TO PLUG UNUSED CAVITY. INSTALLATION AND LOCATION DETERMINED BY CUSTOMER.
- 2. FOR 1484661-3 FOUR DUMMY INSERTS AND O-RINGS SUPPLIED TO PLUG UNUSED CAVITIES. INSTALLATION TO BE DONE BY CUSTOMER.
- 3. CUSTOMER TO LUBRICATE O-RING WITH LUBRICANT COMPATIBLE WITH NITRILE RUBBER (RECOMMEND DOW CORNING 55 O-RING LUBRICANT)

OBSOLETE	2	1484661-3
	1	1484661-2
	1	1484661-1
REMARKS		PART NUMBER

THIS DRAWING IS A CONTROLLED DOCUMENT.		DWN	C.C.THOMAS	2-5-02	Tyco Electronics Corporation Harrisburg, PA 17105-3608		
DIMENSIONS: INCHES		CHK	S.GLATFELTER	2-5-02			
TOLERANCES UNLESS OTHERWISE SPECIFIED:		APVD	S.GLATFELTER	2-5-02			
0 PLC ± - 1 PLC ± - 2 PLC ± - 3 PLC ± .005 [0.13] 4 PLC ± - ANGLES ± - FINISH -		PRODUCT SPEC	-	-			
MATERIAL	-	APPLICATION SPEC	-	-	NAME	INSERT KIT, PLUG, 4 POSN., MINI EB, ARINC 600	
		WEIGHT	-	-	SIZE	A2	
		CUSTOMER DRAWING			CAGE CODE	00779	
				SCALE	2:1	DRAWING NO	C=1484661
				SHEET	1 of 1	RESTRICTED TO	-
				REV	E		

1484661-